

Stepping Motors

M35SP-9NK

OUTLINE

A model with high response in $\phi 35$ series.



FEATURES

1. Compact size, high-output torque and quick response.
2. Superior running quietness and stability.

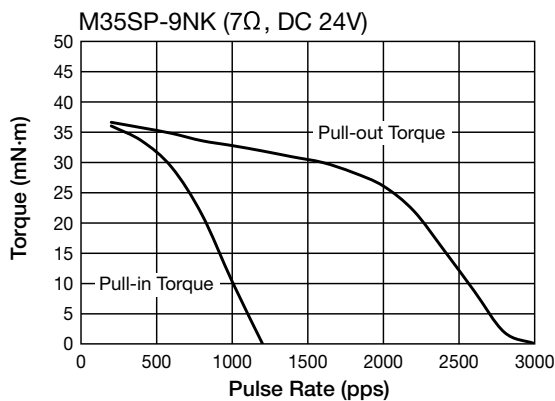
USES

Printers, multifunction machines, copy machines, FAX, etc.

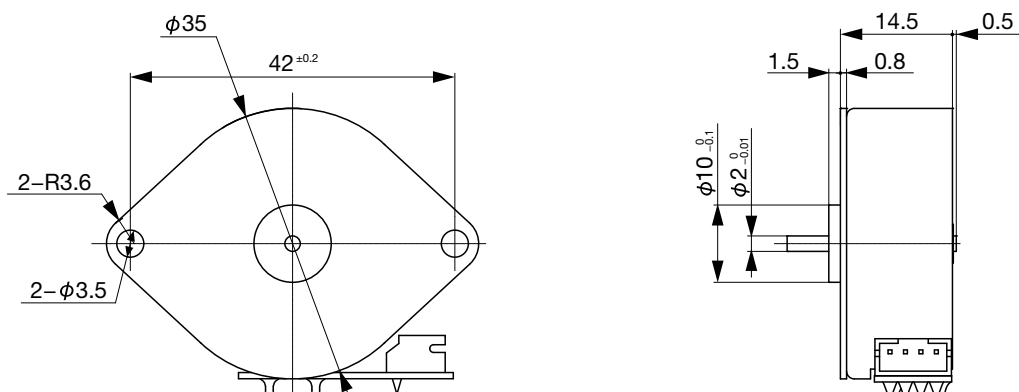
SPECIFICATIONS

Item	M35SP-9NK
Rated Voltage	DC 24V
Working Voltage	DC 21.6~26.4V
Rated Current/Phase	600mA
No. of Phase	4 Phase
Coil DC Resistance	7Ω/phase±7%
Step Angle	7.5°/step
Excitation Method	2-2 Phase excitation (Bipolar driving)
Insulation Class	Class E insulation
Holding Torque	41.2mN·m
Pull-out Torque	36.6mN·m/200pps
Pull-in Torque	36.0mN·m/200pps
Max. Pull-out Pulse Rate	2,800pps
Max. Pull-in Pulse Rate	1,150pps

CHARACTERISTICS



DIMENSIONS



Unit : mm, General tolerance : ±0.5