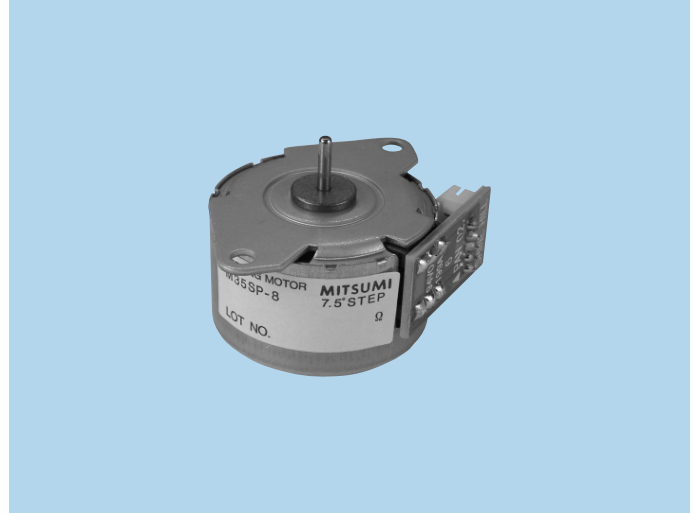


# Stepping Motors

## M35SP-8

### OUTLINE

A model with high-output torque in  $\phi 35$  series.



### FEATURES

1. Compact size and high-output torque.
2. Superior running quietness and stability.

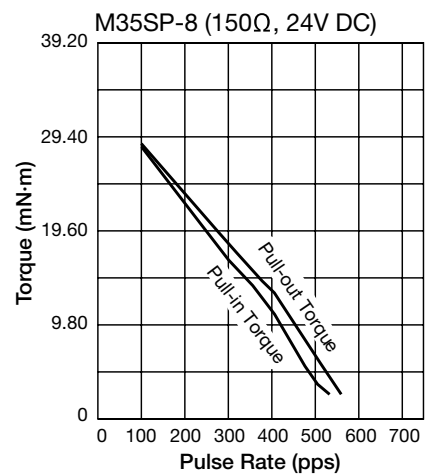
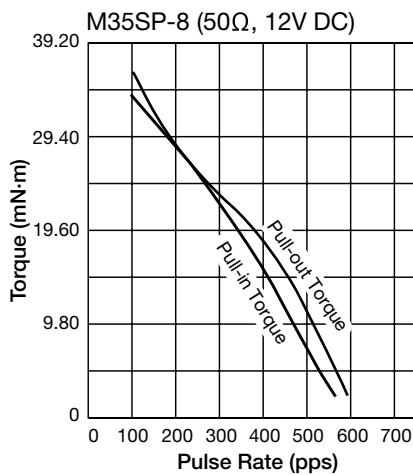
### USES

Printers, multifunction machines, copy machines, FAX, etc.

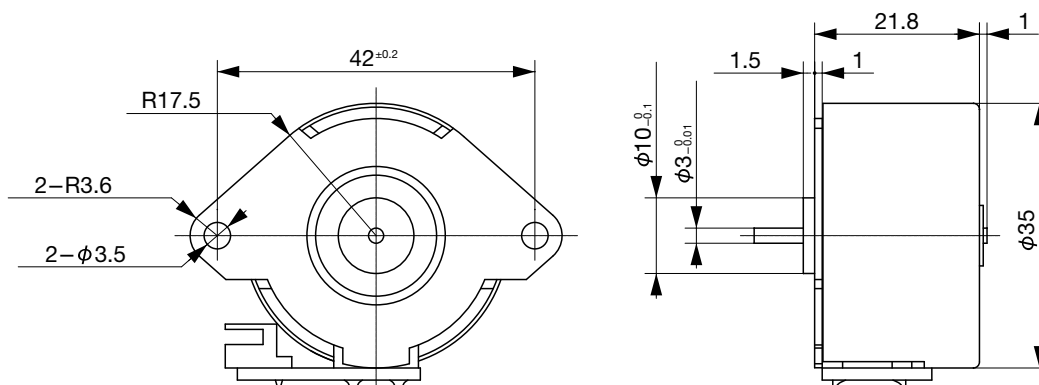
## SPECIFICATIONS

Item	M35SP-8	
Rated Voltage	DC 12V	DC 24V
Working Voltage	DC 10.8~13.2V	DC 21.6~26.4V
Rated Current/Phase	259mA	173mA
No. of Phase	4 Phase	
Coil DC Resistance	50Ω/phase±7%	150Ω/phase±7%
Step Angle	7.5°/step	
Excitation Method	2-2 Phase excitation (Unipolar driving)	
Insulation Class	Class E insulation	
Holding Torque	38.2mN·m	42.1mN·m
Pull-out Torque	23.0mN·m/200pps	28.4mN·m/200pps
Pull-in Torque	22.5mN·m/200pps	27.9mN·m/200pps
Max. Pull-out Pulse Rate	580pps	610pps
Max. Pull-in Pulse Rate	495pps	520pps

## CHARACTERISTICS



## DIMENSIONS



Unit : mm, General tolerance : ±0.5