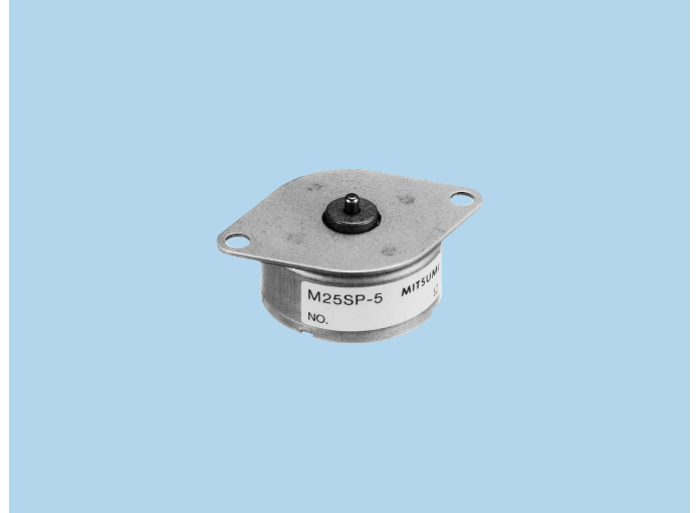


Stepping Motors

M25SP-5,-5N

OUTLINE

Thin model in $\phi 25$ series.



FEATURES

1. Compact size and high-output torque.
2. Superior running quietness and stability.

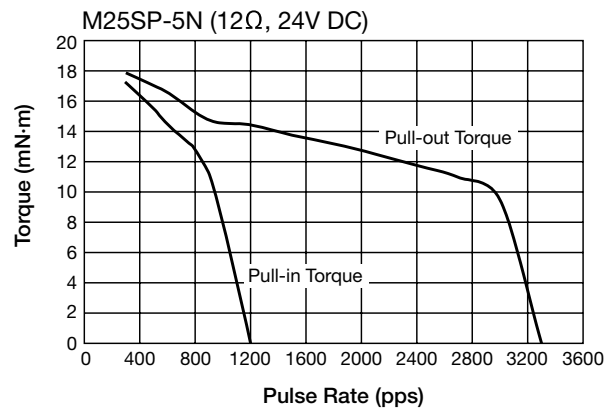
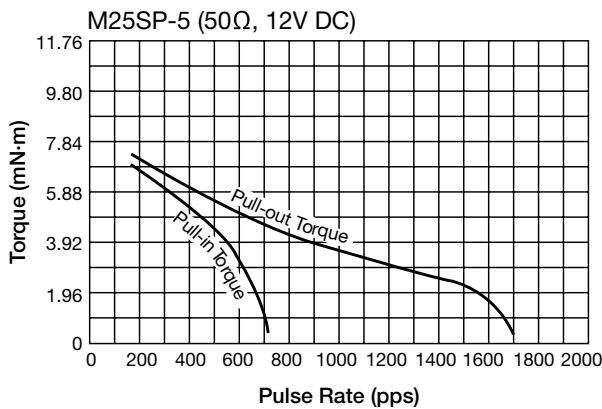
USES

Printers, multifunction machines, copy machines, FAX, etc.

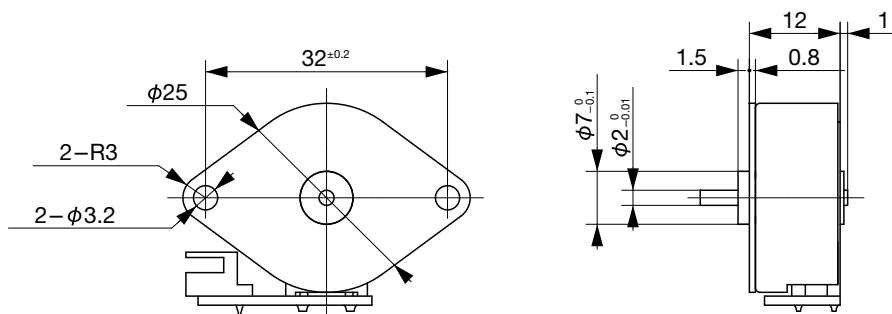
SPECIFICATIONS

Item	M25SP-5	M25SP-5N
Rated Voltage	DC 12V	DC 24V
Working Voltage	DC 10.8~13.2V	DC 21.6~26.4V
Rated Current/Phase	259mA	550mA (PEAK)
No. of Phase	4 Phase	
Coil DC Resistance	50Ω/phase±7%	12Ω/phase±7%
Step Angle	7.5°/step	
Excitation Method	2-2 Phase excitation (Unipolar driving)	2-2 Phase excitation (Bipolar driving)
Insulation Class	Class E insulation	
Holding Torque	11.8mN·m	18.9mN·m
Pull-out Torque	5.90mN·m/400pps	17.4mN·m/400pps
Pull-in Torque	5.40mN·m/400pps	16.3mN·m/400pps
Max. Pull-out Pulse Rate	1,700pps	3,700pps
Max. Pull-in Pulse Rate	730pps	1,170pps

CHARACTERISTICS



DIMENSIONS



Unit : mm, General tolerance : ±0.5