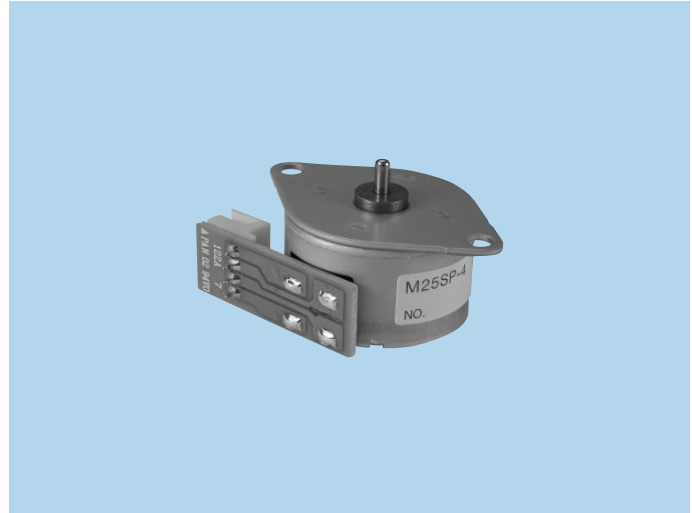


Stepping Motors

M25SP-3N, -4N

OUTLINE

“M25SP-3N” is a standard model in $\phi 25$ series.
 “M25SP-4N” is a different model from “M25SP-3N” just in step angle.
 Choose the model to match your product.



FEATURES

1. Compact size and high-output torque.
2. Superior running quietness and stability.

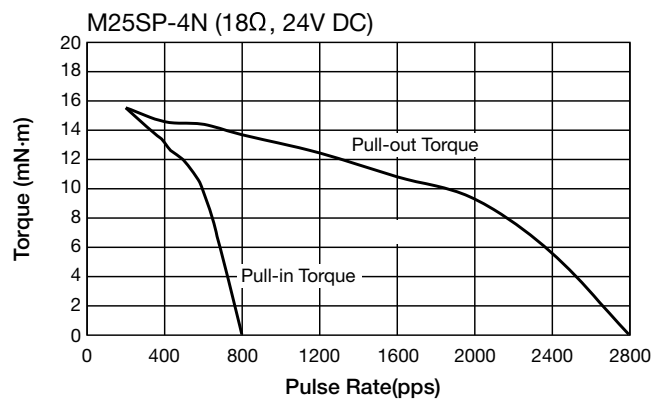
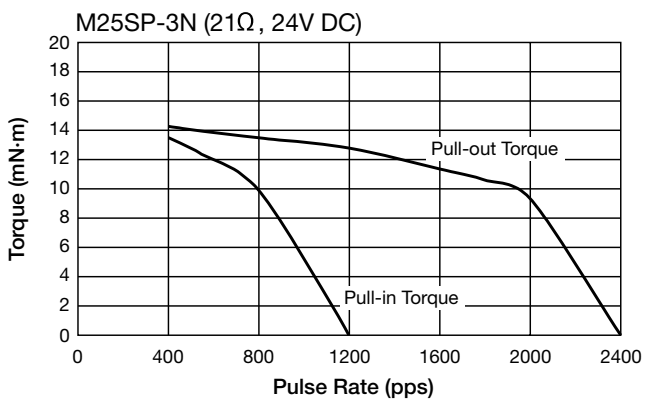
USES

Printers, multifunction machines, copy machines, FAX, etc.

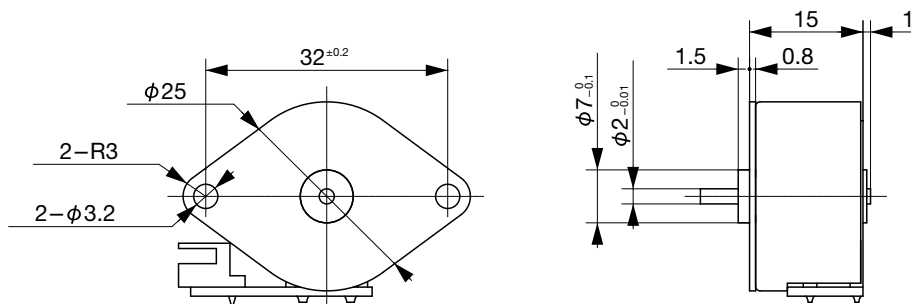
SPECIFICATIONS

Item	M25SP-3N	M25SP-4N
Rated Voltage	DC 24V	
Working Voltage	DC 21.6~26.4V	
Rated Current/Phase	227mA(PEAK)	380mA(PEAK)
No. of Phase	4 Phase	
Coil DC Resistance	21Ω/phase±7%	18Ω/phase±7%
Step Angle	7.5°/step	15°/step
Excitation Method	2-2 Phase excitation(Bipolar driving)	
Insulation Class	Class E insulation	
Holding Torque	19.6mN·m	20.6mN·m
Pull-out Torque	11.3mN·m/1,600pps	12.5mN·m/1,200pps
Pull-in Torque	12.1mN·m/540pps	15.0mN·m/200pps
Max. Pull-out Pulse Rate	2,400pps	2,950pps
Max. Pull-in Pulse Rate	1,060pps	760pps

CHARACTERISTICS



DIMENSIONS



Unit : mm, General tolerance : ±0.5