

Micro Air Pump Motor MAP-HD-140

DC Mini-Motors

APPLICATIONS

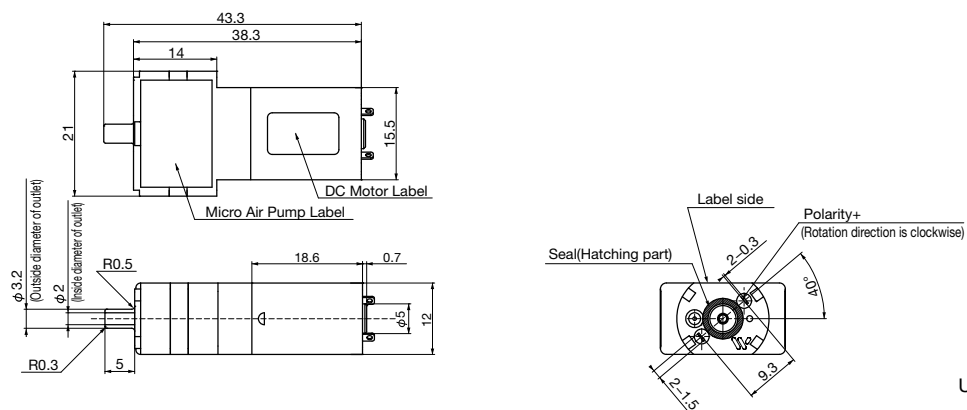
Blood Pressure monitor for Wrist type



SPECIFICATIONS

Items	Specifications	Conditions
Rated Voltage	3.0V	
Voltage Range	2.0~3.2V	
Pressing Time	10.0sec or less	Time to add pressure from 0 to 300mmHg to a tank of 100cc by rated voltage (DC 3V).
Current Consumption	450mA or less	Maximum current during adding pressure from 0 to 300mmHg to a tank of 100cc by rated voltage (DC 3V).
Leakage of Air	3.0mmHg/min or less	Decrease of pressure at 30 second after stop pumping to a tank of 100cc up to 40±10mmHg and 300 ± 10mmHg.
Maximum Pressure	350mmHg or more	
Noise	55.0dB or less	Noise at 30cm from the pump.

DIMENSIONS



Unit : mm

• Any products mentioned in this catalog are subject to any modification in their appearance and others for improvements without prior notification.
 • The details listed here are not a guarantee of the individual products at the time of ordering. When using the products, you will be asked to check their specifications.