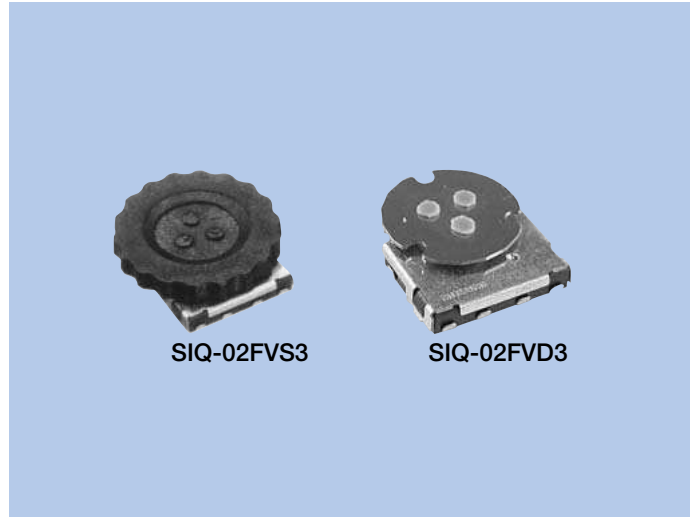


# Slide and Rotary Encoder Switches SIQ Series

## FEATURES

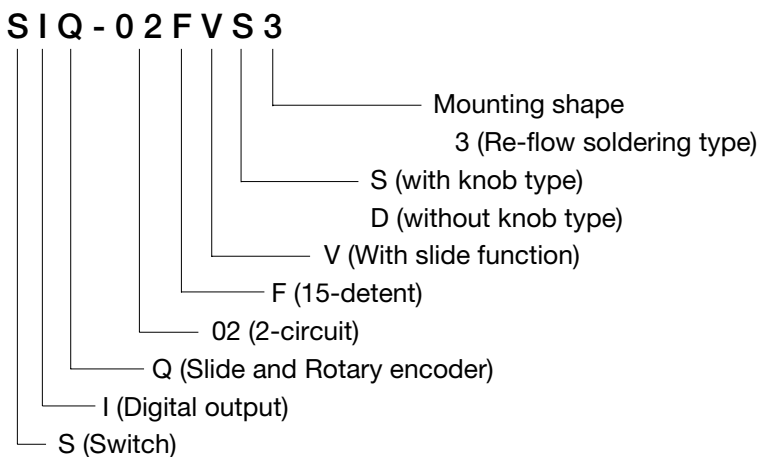
1. Minimized mounting area (11.1x10mm square).
2. 15 detent are available.
3. Can be operated with a rotary encoder and slide switch combined.
4. Multiple input type combined with a rotary encoder and slide switch. For example of using menu selection switch and determination switch.
5. Without-dial type to avoid discoloration of dial in reflow is also available.
6. Suitable for SMT reflow soldering.
7. For without-dial type, you can attach customized dial after reflow.



## APPLICATIONS

1. For PDAs, DSCs, CD-MD players, other portable devices

## MODEL NAME CODE



• Any products mentioned in this catalog are subject to any modification in their appearance and others for improvements without prior notification.  
 • The details listed here are not a guarantee of the individual products at the time of ordering. When using the products, you will be asked to check their specifications.

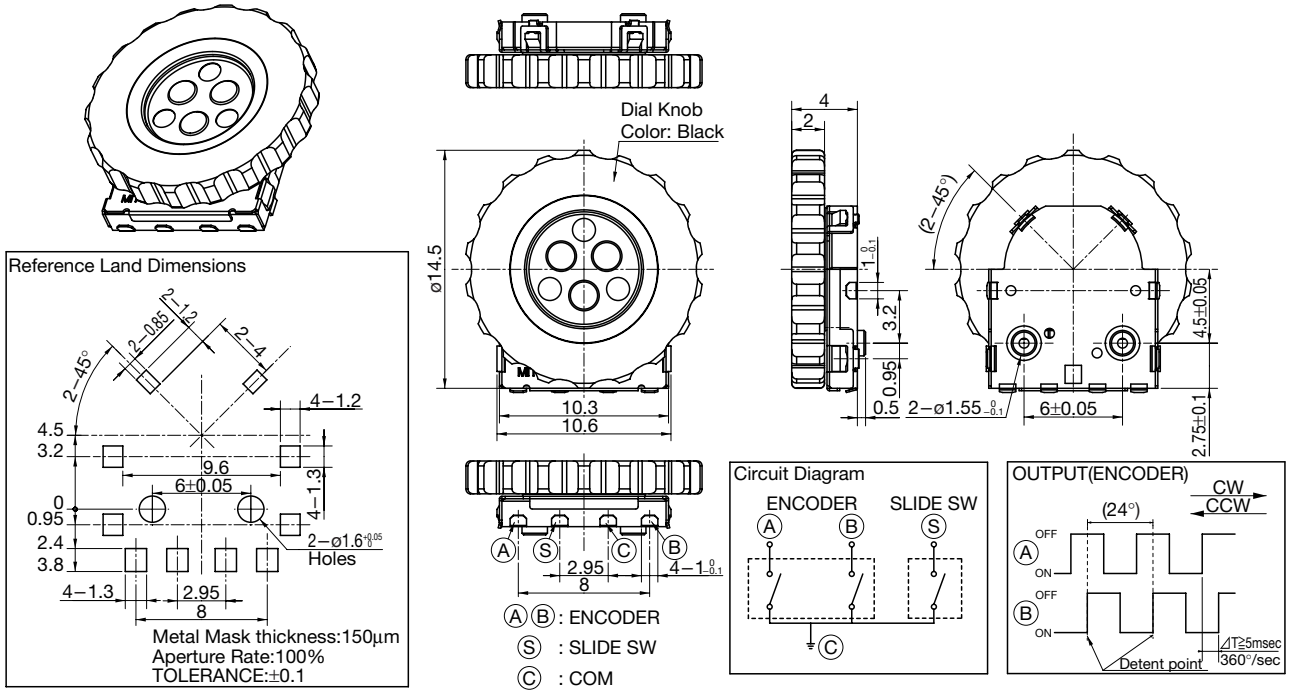
## TYPE

Model Name Code	Order Number	No. of Detent	Rotational Torque	Pcs
SIQ-02FVS3	R66 6557	15	1~10mN · m	500
SIQ-02FVD3	R66 6861	15	1~10mN · m	1000

## SPECIFICATIONS

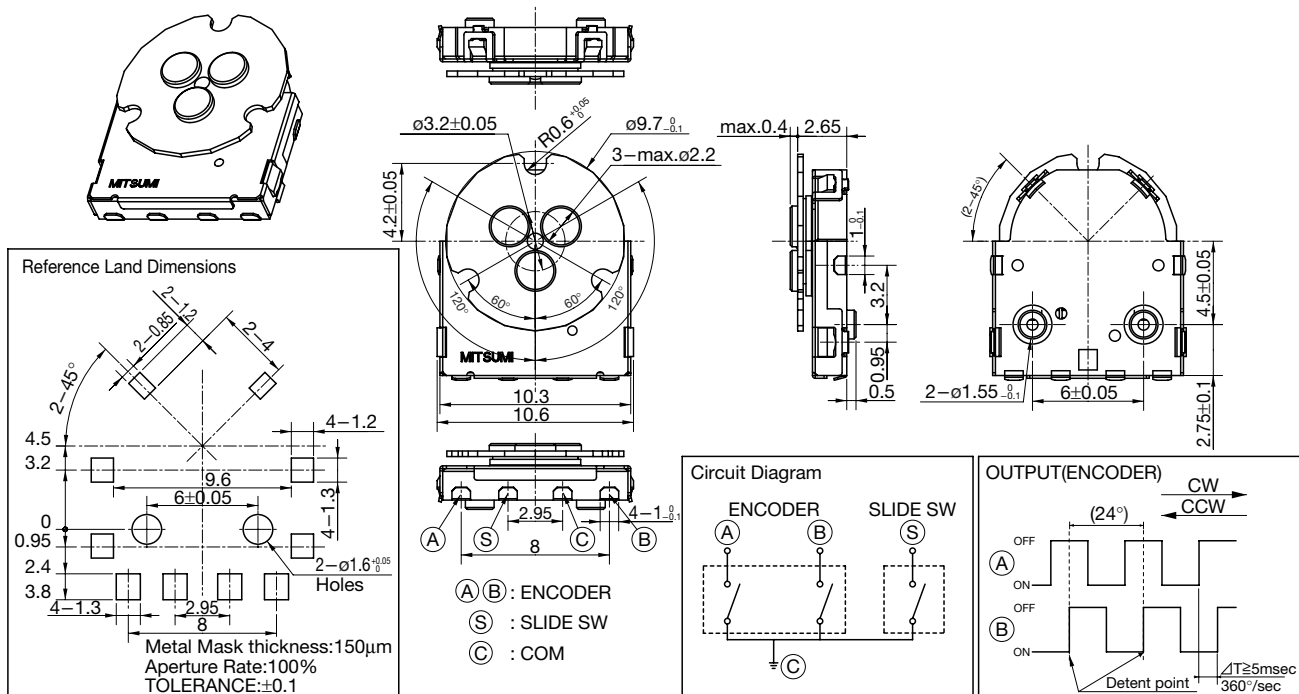
Electrical	Rating	10mA, 5V DC
Characteristics	Contact Resistance	1Ω or less
Mechanical	Operating Force	2~6N (Slide)
Characteristics	Rotational Torque	1~10mN · m (Rotary encoder)
	Life	50,000 cycles (Slide) 50,000 cycles (Rotary encoder)

**DIMENSIONS**



SIQ-02FVS3

Unit : mm



SIQ-02FVD3

Unit : mm