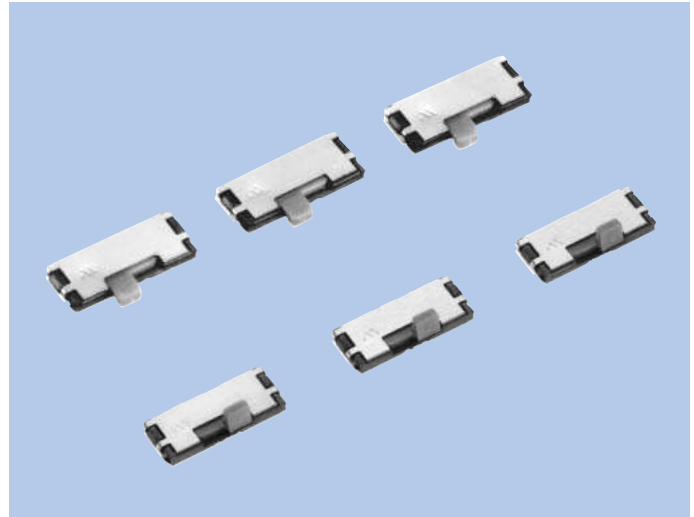


# H=0.8mm Slide Switches SSN Series

## FEATURES

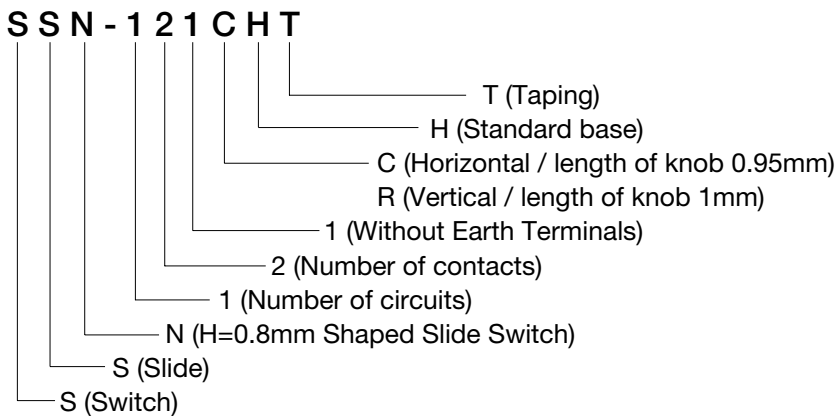
1. 0.8mm in height.
2. Suitable for SMT reflow soldering.
3. Tape packaging supporting the auto mounting.
4. 1-pole, 2-contacts as standard.
5. Changeover timing cannot be specified.



## APPLICATIONS

1. For portable audios, remote controllers, DSCs, video players, mobile phones, PDAs, etc.
2. For power switches, hold switches, mode select switches.

## MODEL NAME CODE



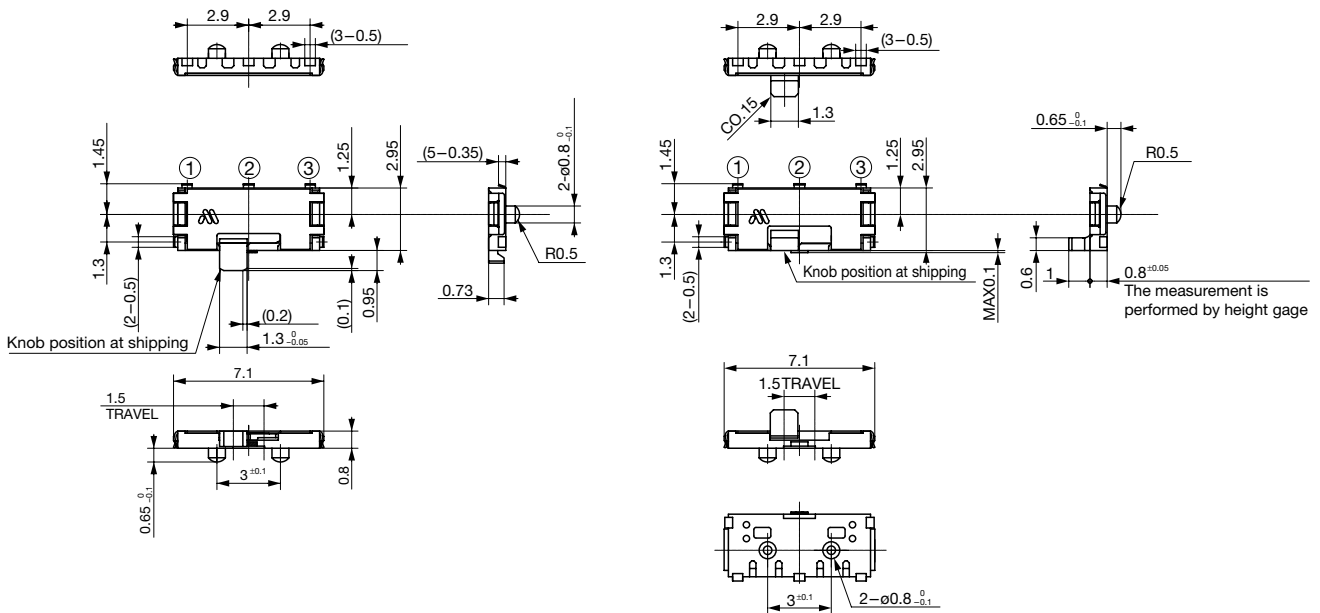
## SPECIFICATIONS

Electrical Characteristics	Rating	0.3A, 4V DC
	Contact Resistance	1Ω or less
	Insulation Resistance	10MΩ or more
	Withstand Voltage	1 minute at 100V AC
Mechanical Characteristics	Operating Force	1.5 <sup>+2.0</sup> <sub>-1.0</sub> N
	Life	10,000cycles

## TYPE

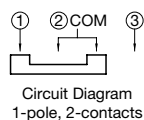
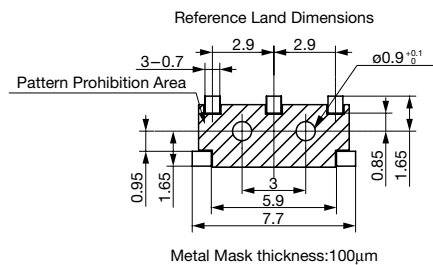
Model Name Code	Order Number	No. of Poles	No. of Contacts	Travel (mm)	Knob Direction	Pcs/Reel
SSN-121CHT	R66 6753	1	2	1.5	Horizontal	5,000
SSN-121RHT	R66 7068	1	2	1.5	Vertical	3,000

## DIMENSIONS



SSN-121CHT

SSN-121RHT



Unit : mm  
☆ Tolerance : ±0.15mm