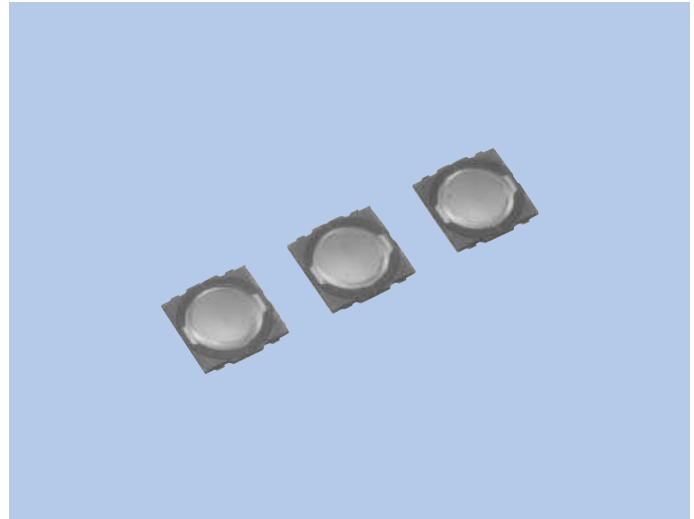


# Super Thin Type Tactile Switches SOC Series

## FEATURES

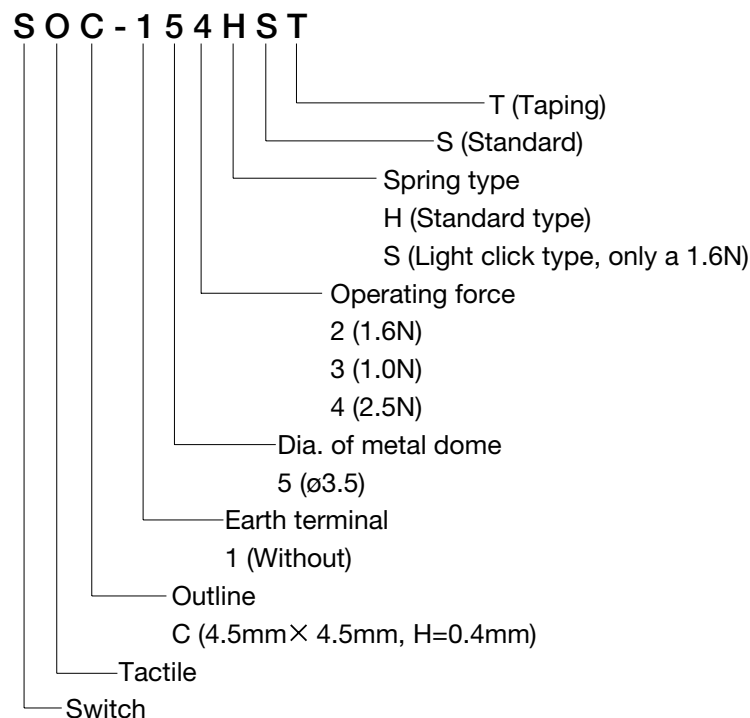
1. 0.4mm in thickness and 4.5mm in square.
2. Suitable for SMT reflow soldering.
3. Excellent dust proof and flux resistance.
4. Using the stainless steel metal dome with long life and sharp feeling.



## APPLICATIONS

1. For small electronic equipment such as DSCs.
2. For portable music players, potable video, etc.
3. For PCs, mobile phones, PDAs, etc.

## MODEL NAME CODE



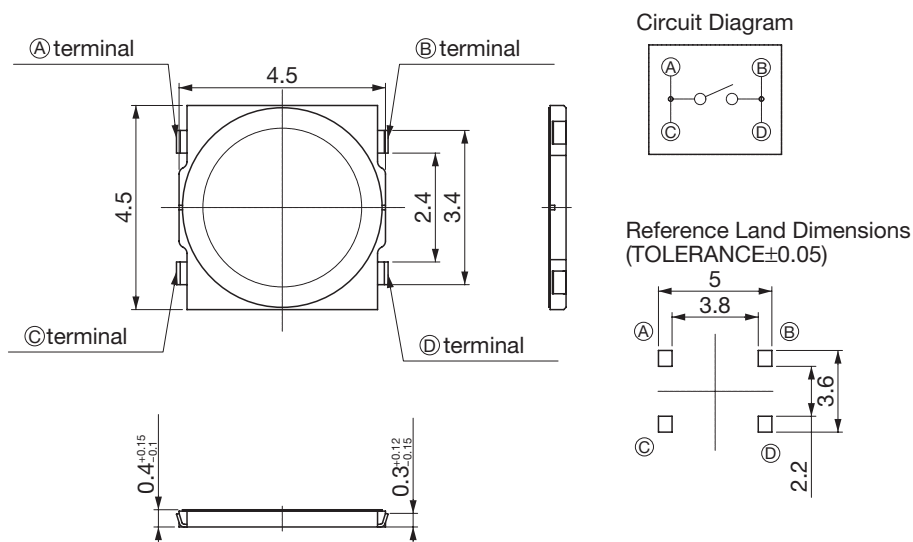
## SPECIFICATIONS

Electrical Characteristics	Rating	20mA, 15V DC (Resistance load)
	Contact Resistance	200mΩ or less
	Insulation Resistance	50MΩ or more
	Withstand Voltage	1 minute at 100V AC
Mechanical Characteristics	SOC-152HST, SOC-152SST	1.6N
	SOC-153HST	1.0N
	SOC-154HST	2.5N
Life	SOC-152HST, SOC-152SST	500,000 cycles
	SOC-153HST	1,000,000 cycles
	SOC-154HST	200,000 cycles

## TYPE

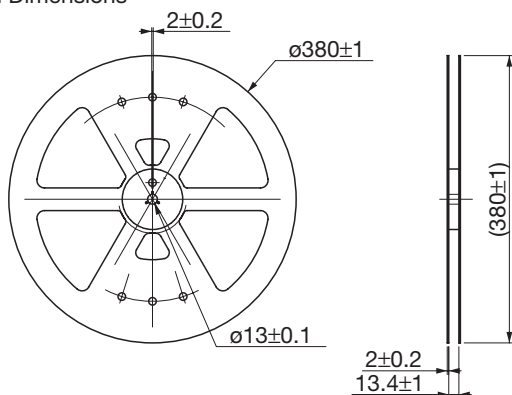
Model Name Code	Order Number	Operating Force	Pcs/Reel
SOC-152HST	R66 7160	1.6N	10,000
SOC-152SST	R66 7162	1.6N (Light click)	10,000
SOC-153HST	R66 7163	1.0N	10,000
SOC-154HST	R66 7161	2.5N	10,000

## DIMENSIONS

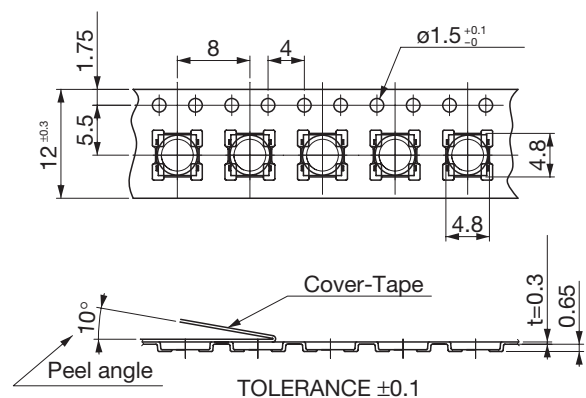


Unit : mm

Reel Dimensions



Carrier Tape Dimensions



\*One reel accommodates 10,000 pieces (Ø380).

Unit : mm

• Any products mentioned in this catalog are subject to any modification in their appearance and others for improvements without prior notification.  
• The details listed here are not a guarantee of the individual products at the time of ordering. When using the products, you will be asked to check their specifications.