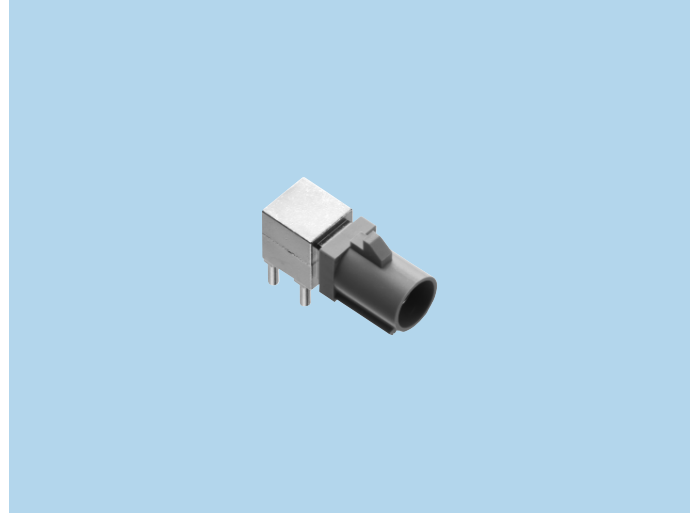


# FAKRA Connector CDM-J83

## FEATURES

1. Comply with DIN 72594-1 (FAKRA Standard).
2. Surface mounting(PIP).
3. Die cast body to increase strength.
4. Small size (low height).



## HOW TO ORDER

CDM-J83

**J83-001-23 0 A N B A**  
 1 2 3 4 5 6 7 8

- 1 Series No. (J83)
- 2 No. of contacts (001 : 1pins)
- 3 Housing material (23 : PA9T resin)
- 4 UL grade (0 : UL94V-0)
- 5 Contact plating (A : Gold)
- 6 Contact plating thickness (N : 0.2μm)
- 7 Contact style (B : Angle)
- 8 Coupling side accessories (A : PVC Case)

## SPECIFICATIONS

### ELECTRICAL CHARACTERISTICS

Voltage Rating	60V DC
Current Rating	1A DC
Impdance	50Ω
Withstanding Voltage	500V

### MECHANICAL CHARACTERISTICS

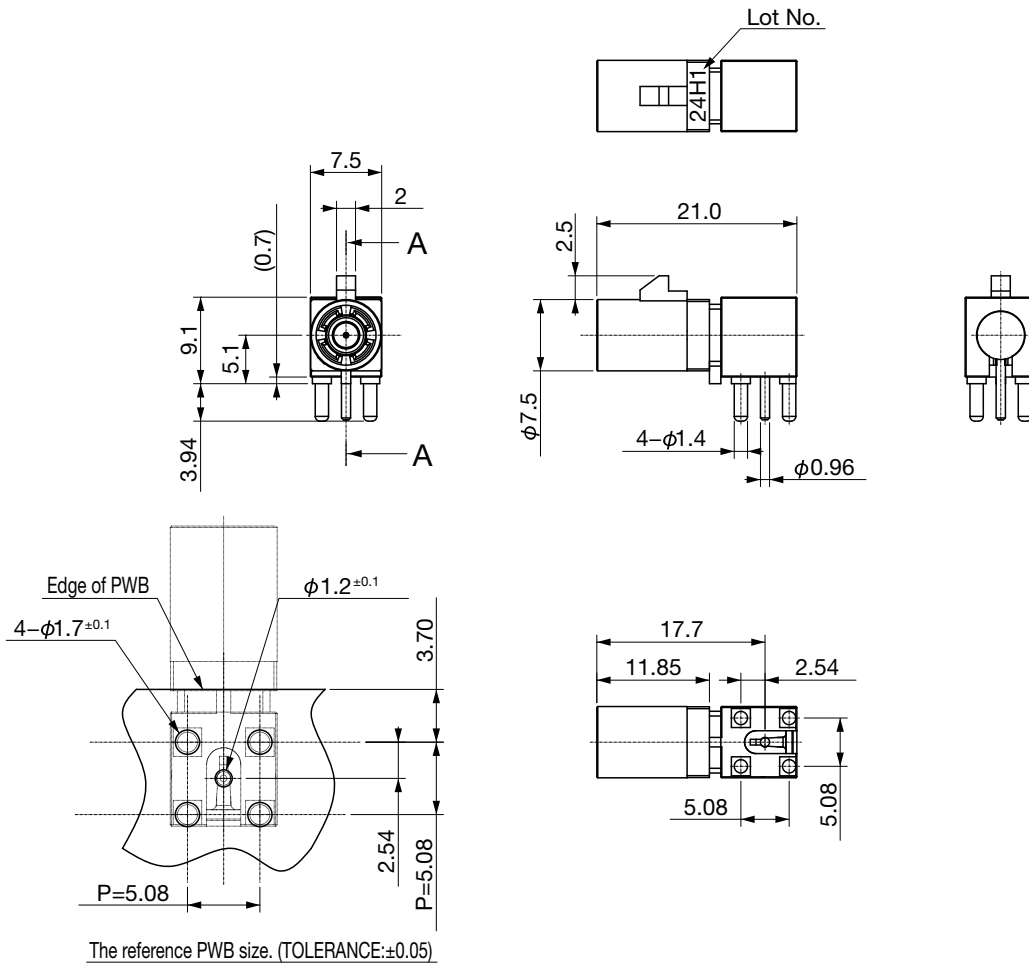
Insertion Force	2.5 max.
Withdrawal Force	2N min.
Look Strength	100N min.

## MATERIAL & FINISH

Component Parts	Material	Finish
Cover	Thermoplastic resin	Color : depend each work item.
Contact Pin	Copper alloy	Gold plating
Shell	Zinc Alloy	Ni plating
Housing	Thermoplastic resin	Naturaru
Lid	Copper alloy	Ni plating

DIMENSIONS

CAM-J83



Unit : mm

FAKRA coding type and color

