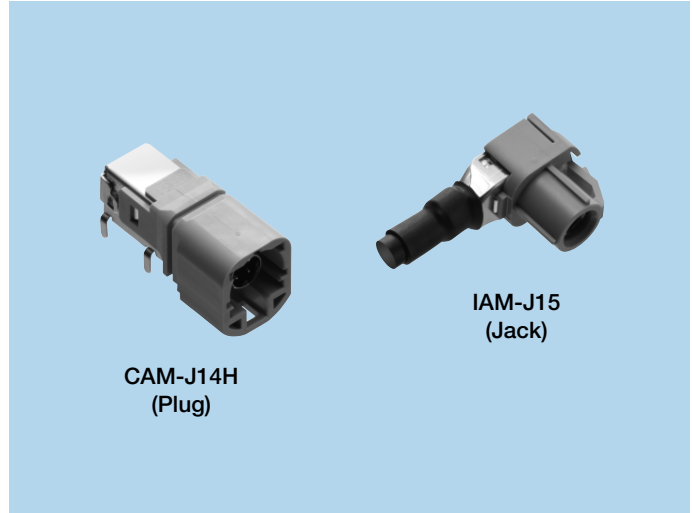


HIGH SPEED Connector Series (HSC) CAM-J14H, IAM-J15

FEATURES

1. Support LVDS/USB2.0 signal.
2. Pressed Parts makes the connector light.



HOW TO ORDER

1. CAM-J14H

J14-004-23 0-A N B A
 1 2 3 4 5 6 7 8

- 1 Series No. (J14)
- 2 No. of contacts (004 : 4pins)
- 3 Housing material (23 : PA9T resin)
- 4 UL grade (0 : UL94V-0)
- 5 Contact plating (A : Gold)
- 6 Contact plating thickness (N : 0.2μm)
- 7 Contact style (B : Angle)
- 8 Coupling side accessories (A : PVC Case)

2. IAM-J15

J15U-004-A460P
 1 2 3

- 1 Series No. (J15)
- 2 No. of contacts (004 : 4pins)
- 3 Product Specification

SPECIFICATIONS

ELECTRICAL CHARACTERISTICS

Voltage Rating	100V DC
Current Rating	1.5A DC
Impdance	100Ω
Insulation Resistance	1000MΩ min.
Insertion Loss	≤-20dB to 1GHz ≤-17dB to 2GHz
Return Loss	≤0.1dB to 2GHz
Nearend Crosstalk	≤30dB (1GHz)
Farend Crosstalk	≤35dB (1GHz)

MECHANICAL CHARACTERISTICS

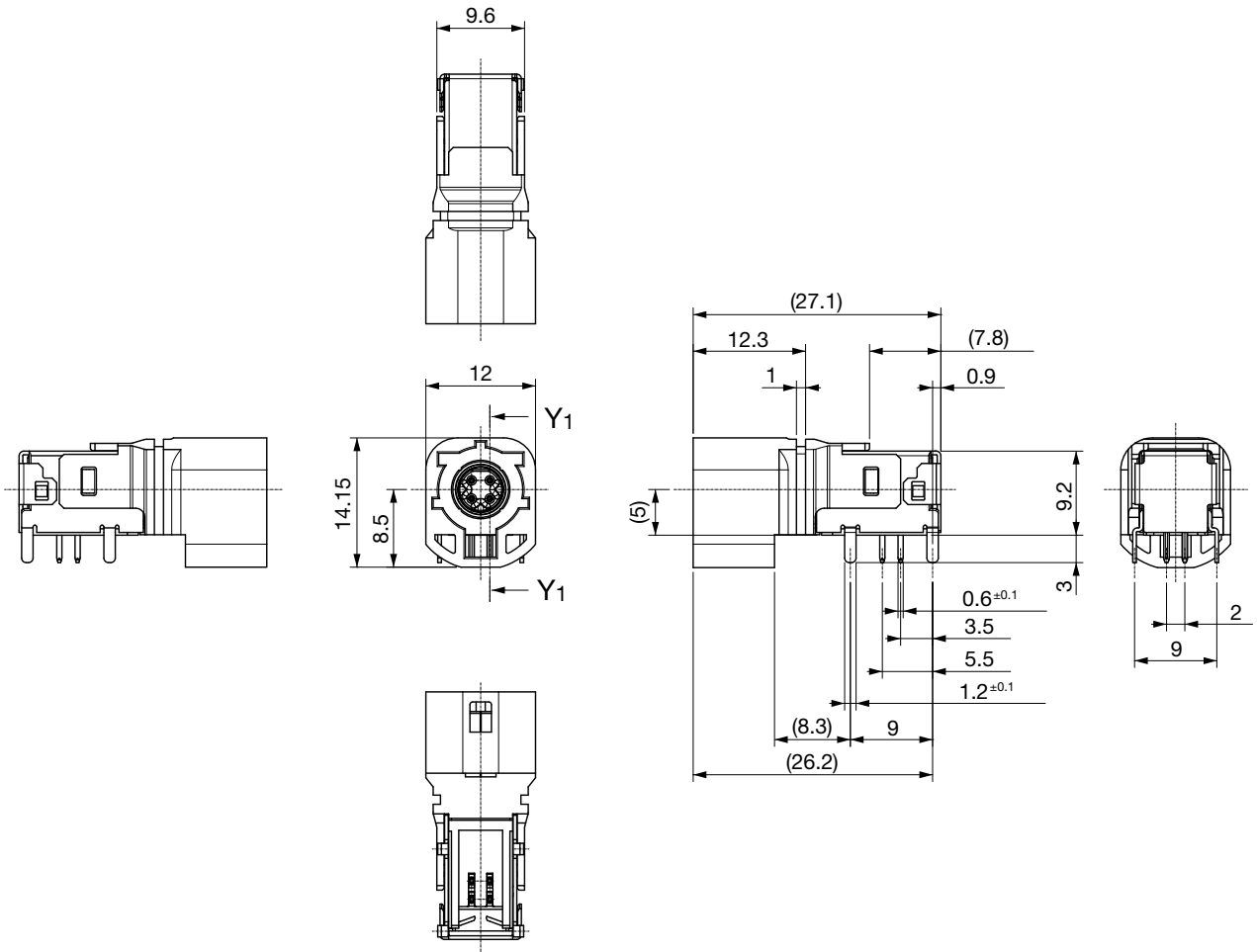
Insertion Force	Intitial data 30.0N max. after test 37.5N max.
Retention Force	Intitial data 5.0N~30.0N ON after test 5.0N~30.0N ON

MATERIAL & FINISH

Component Parts		Material	Finish
CAM-J14H	Housing	PA resin	Black
	Contact Pin	Copper alloy	Gold plating
	Shield Case	Copper alloy	Ni plating
	Outer Contact	Copper alloy	Ni plating
	Cover	PA resin	
IAM-J15	Housing	PBT resin	Black
	Contact Pin	Copper alloy	Gold plating
	Shield CaseA	Copper alloy	Ni plating
	Shield CaseB	Copper alloy	Ni plating
	Outer contact	Copper alloy	Ni plating
	Cover	PBT resin	Light Green
	Clamper	Steel	

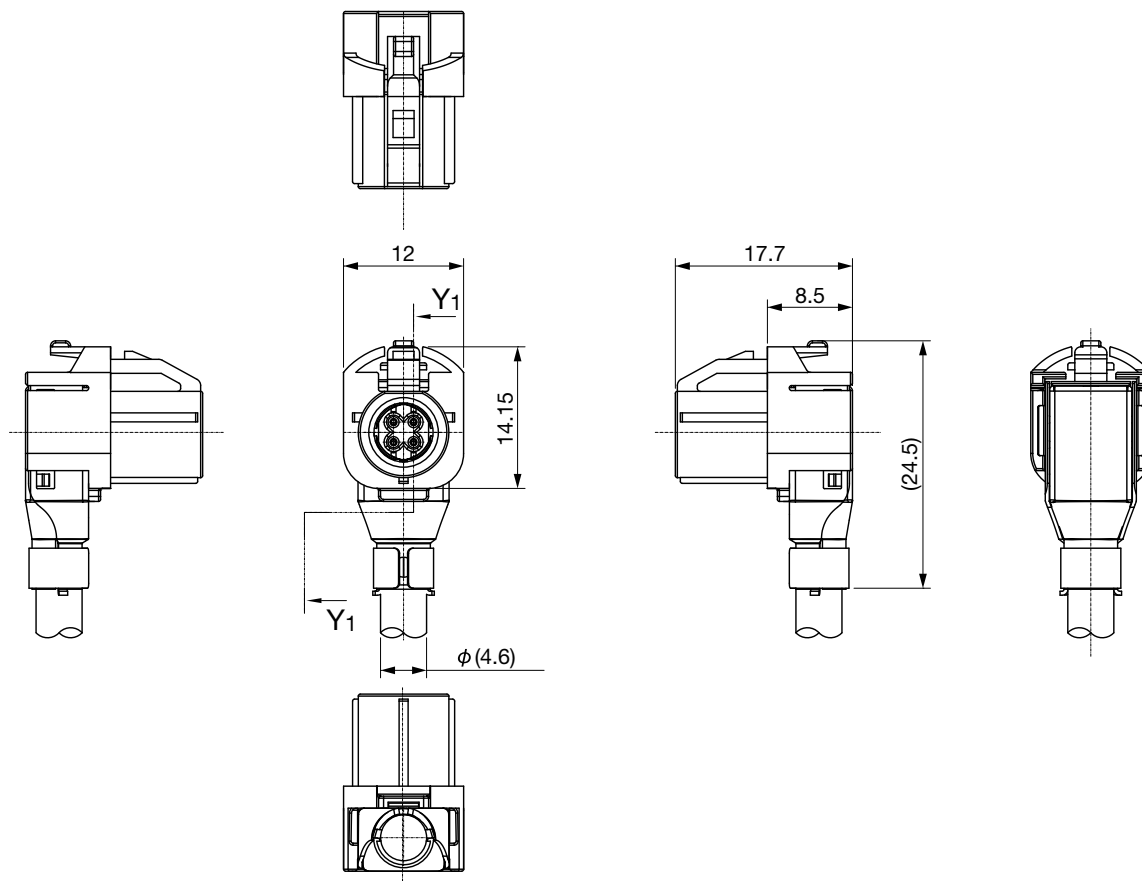
DIMENSIONS

CAM-J14H



Unit : mm

IAM-J15



Unit : mm