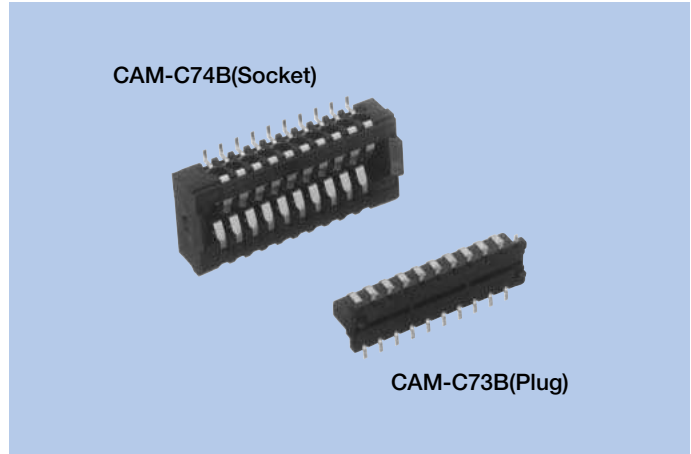


Detach Connectors CAM-C73B, C74B

FEATURES

1. It is 20 pins connector used for detaching between the operation panel and the unit etc.
2. The amount of the gap absorption when engaging is X direction $\pm 0.5\text{mm}$, Y direction $\pm 0.4\text{mm}$, Z direction $\pm 0.5\text{mm}$.
3. Supports reflow mounting.



HOW TO ORDER

1. CAM-C73B (Plug)

C73-020-06 0-AGAA-B

1 2

- 1 Series No. (C73)
- 2 No. of contacts (020 : 20pins)

2. CAM-C74B (Socket)

C74-020-06 0-AGAA-B
AGAAA-B

1 2

- 1 Series No. (C74)
- 2 No. of contacts (020 : 20pins)

SPECIFICATIONS

ELECTRICAL CHARACTERISTICS

Rated Voltage	14V DC
Rated Current	1A
Withstanding Voltage	500V AC (rms) 1minute
Insulation Resistance	500M Ω min. (at 500V DC)
Contact Resistance	70m Ω max.

MECHANICAL CHARACTERISTICS

Life (Matching Cycle)	10,000 times
Total Insertion Force	18.5N (1.9kgf) max.
Total Rebound Force	10.3N (1.1kgf) max.
Using Temperature Range	-30~+85°C

• Any products mentioned in this catalog are subject to any modification in their appearance and others for improvements without prior notification.
 • The details listed here are not a guarantee of the individual products at the time of ordering. When using the products, you will be asked to check their specifications.

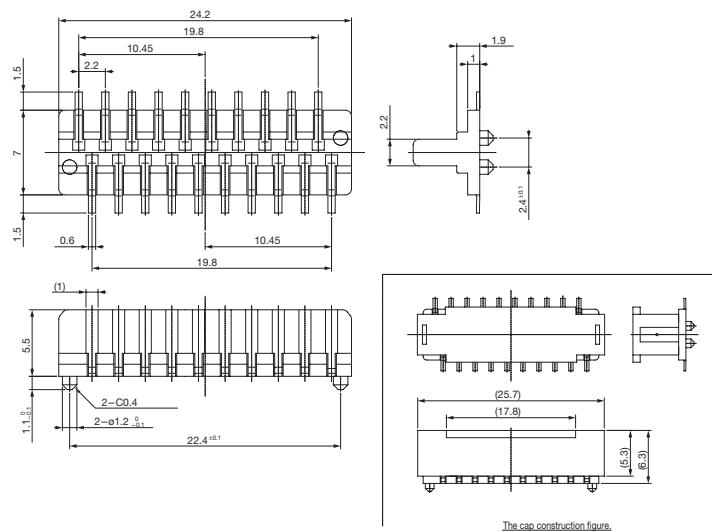
MATERIAL & FINISH

Component Parts		Material	Finish
CAM-C73B	Housing	PPS resin	(Black)
	Contact	Copper Alloy	Gold plating
	Cap	SPS resin	(Black)
CAM-C74B	Housing	PPS resin	(Black)
	Contact	Copper Alloy	Gold plating

DIMENSIONS

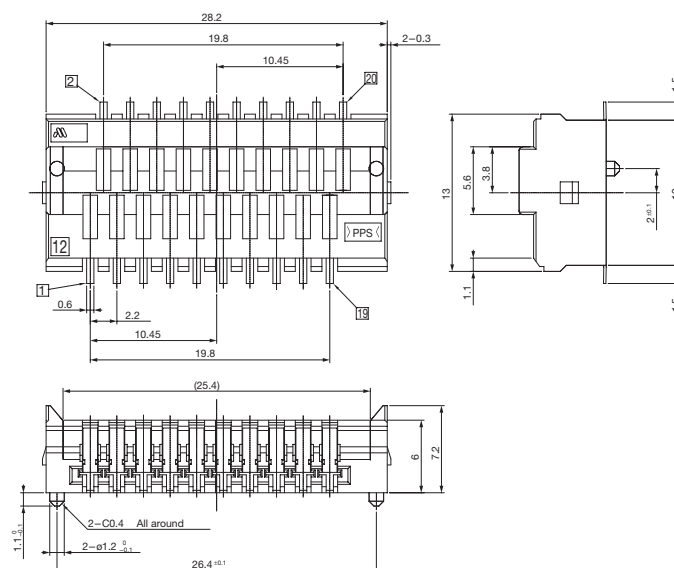
CAM-C73B (Plug)

For reflow solder



CAM-C74B (Socket)

For reflow solder



Unit : mm