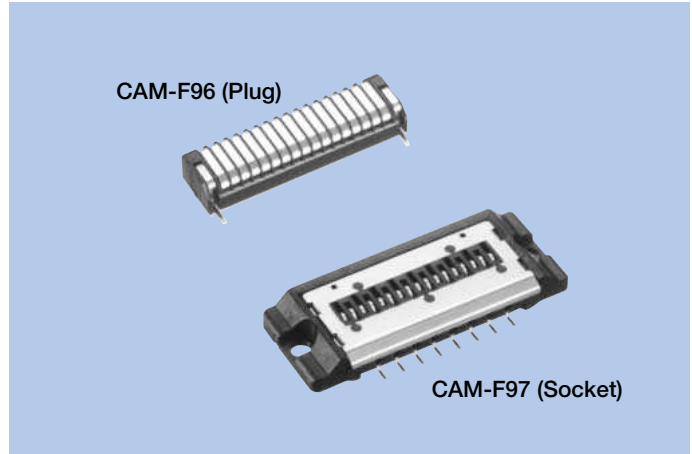


# Detach Connectors CAM-F96, F97

## FEATURES

1. It is 17 pins connector used for detaching between the operation panel and the unit etc.
2. The amount of the gap absorption when engaging is X direction  $\pm 0.3\text{mm}$ , Y direction  $\pm 1.0\text{mm}$ , Z direction  $\pm 0.5\text{mm}$ .
3. Supports reflow mounting.
4. The cover and contact pins are linked as a measure against socket contact deformation. The structure is such that when the cover is lowered the contact pin contact portion also lowers a certain amount. (The contact pin exposure outside the cover has been kept to the required minimum to protect the contact pins.)



## HOW TO ORDER

### 1. CAM-F96 (Plug)

**F96-017-230-AGGAA**

1      2

1 Series No. (F96)

2 No. of contacts (017 : 17pins)

### 2. CAM-F97 (Socket)

**F97-017-230-AGGAA**

1      2

1 Series No. (F97)

2 No. of contacts (017 : 17pins)

## SPECIFICATIONS

### ELECTRICAL CHARACTERISTICS

Rated Voltage	DC 14V
Rated Current	1A
Withstanding Voltage	500V AC 1minute
Insulation Resistance	100MΩ min. (at 500V DC)
Contact Resistance	70mΩ max.

### MECHANICAL CHARACTERISTICS

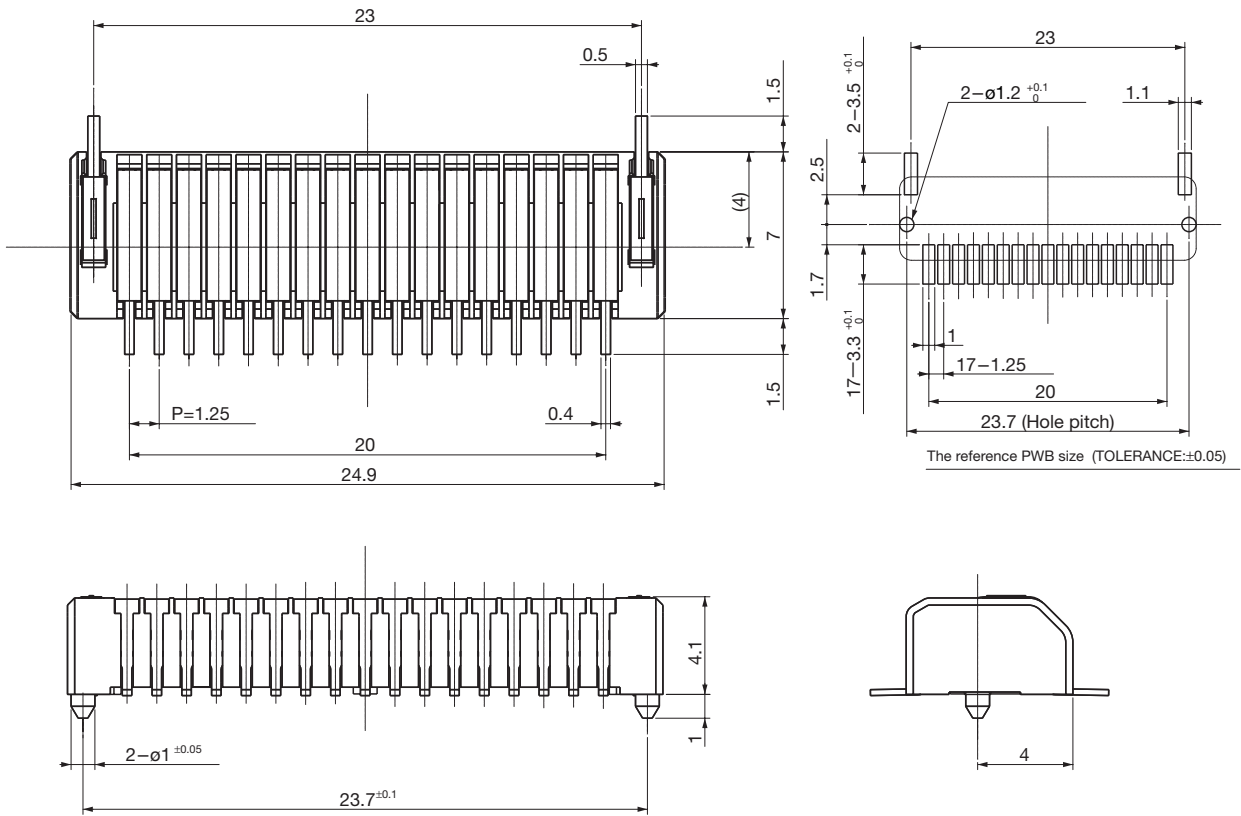
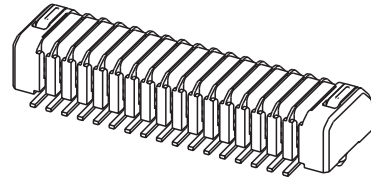
Life (Matching Cycle)	10,000times
Total Insertion Force	7.55N (0.77kgf) max.
Total Rebound Force	5.78±0.49N (0.590±0.05kgf)
Using Temperature Range	-30~+85°C

## MATERIAL & FINISH

Component parts		Material	Finish
CAM-F96	Housing	Nylon resin	Black
	Contact	Copper Alloy	Gold plating
	Ground pin	Copper Alloy	Gold plating
CAM-F97	Housing	Nylon resin	Black
	Contact	Copper Alloy	Gold plating
	Ground pin	Copper Alloy	Nickel plating
	Cover	Nylon resin	Black
Brass		Nickel plating	

# DIMENSIONS

CAM-F96 (Plug)



Unit : mm

