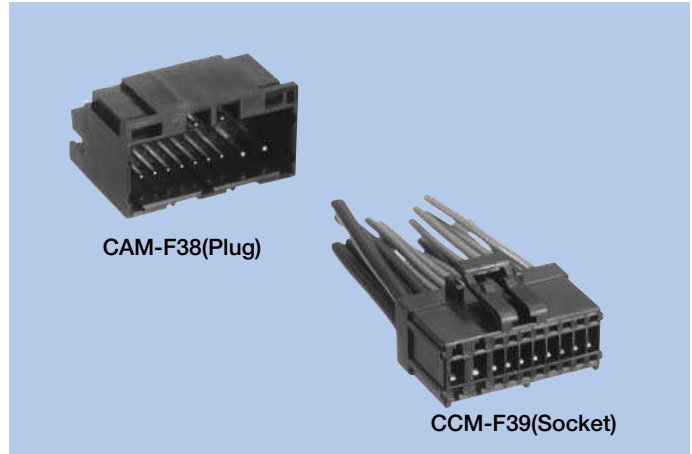


# Power Supply Voltage & Signal CAM-F38, CCM-F39

## FEATURES

1. 20 pins power supply connectors; plug side is the angle type.
2. The lock device ensures secure fitting.
3. Configured for 4 power supply contact pins and 16 signal contact pins.
4. In the future, a maximum of six types of sockets will be available, so use can be divided according to color.



## HOW TO ORDER

### 1. CAM-F38 (Plug)

**F38-020-02 0-I J B A A**

1 2

- 1 Series No.(F38)
- 2 No. of contacts (020 : 20pins)

### 2. CCM-F39 (Socket)

**F39-020-5094A**

1 2

- 1 Series No.(F39)
  - 2 No. of contacts (020 : 20pins)
- \* F39-020-5094A is a product number of the connector.  
The product number of each part single goods is as follows.

Housing	ZM-F39-5096A
Signal Pin	ZC-E77-6992F
Power Supply Pin	ZC-C76-D418F

## SPECIFICATIONS

### ELECTRICAL CHARACTERISTICS

Rated Voltage	14V DC
Rated Current	Signal terminal : 3A (Power supply terminal : 10A)
Withstanding Voltage	500V AC (rms)
Insulation Resistance	100MΩ min. (at 500V DC)
Contact Resistance	15mΩ max.
Applicable FPC Thickness	t=1.6mm

### MECHANICAL CHARACTERISTICS

Life (Matching Cycle)	200 times
Total Insertion Force	78.4N (8kgf) max.
Total Withdrawal Force	9.8N (1kgf)~98.0N (10kgf)
Using Temperature Range	-30~+85°C

## MATERIAL & FINISH

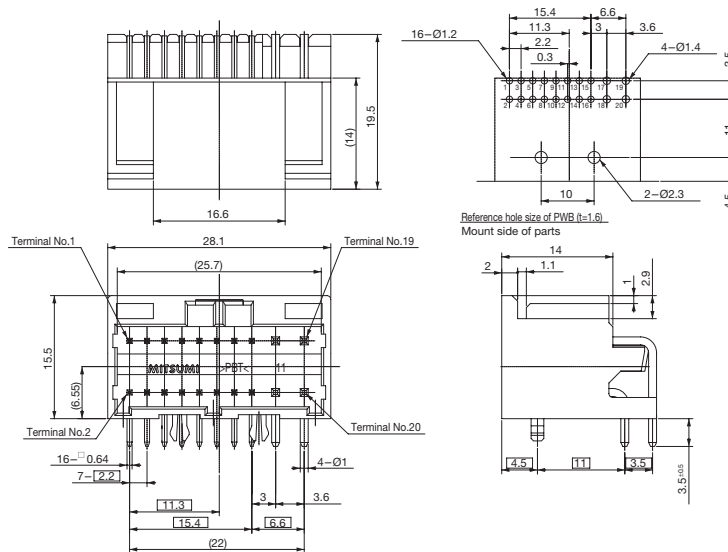
Component Parts		Material	Finish
CAM-F38 (Plug)	Housing	Glass filled PBT resin	—
	Contact	Copper Alloy	Tin reflow plating
CCM-F39 (Socket)	Housing	Glass filled PBT resin	—
	Contact	Copper Alloy	Tin reflow plating

## WIRE SIZES

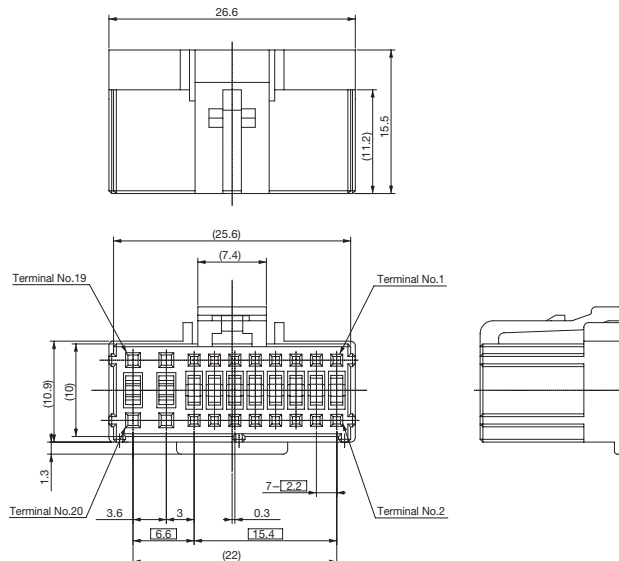
	For Signal	For Power Supply
Wire Sizes	AVSS 0.5f(AWG20 Correspond)	AVS 1.25f(AWG16 Correspond)
Wire Covering Diameter	Ø1.6-1.7	Ø2.5-2.6

## DIMENSIONS

### CAM-F38 (Plug)



### CCM-F39 (Socket)



Unit : mm

• Any products mentioned in this catalog are subject to any modification in their appearance and others for improvements without prior notification.  
 • The details listed here are not a guarantee of the individual products at the time of ordering. When using the products, you will be asked to check their specifications.