

Power Inductors

CXG-6 Series

OUTLINE

High current of choke coil have been lined up for digital equipment and LCD of new generation.



FEATURES

1. Lead free product.
2. Reduction of leaking flux by coating wire with special resin.
3. New designed for low cost.

APPLICATIONS

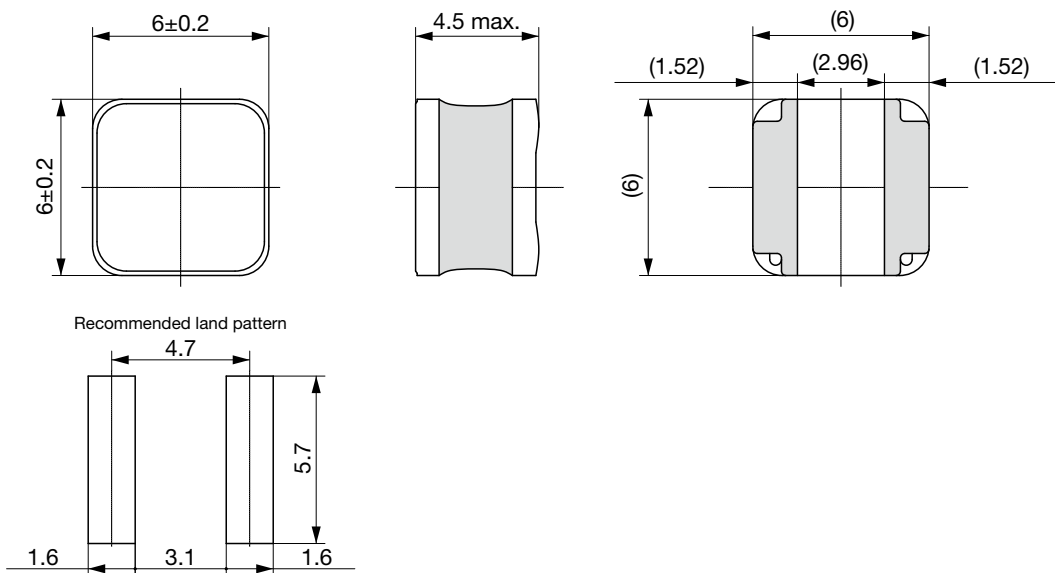
Use in digital equipment(BRD,DVC,PRINTER) and LCD of new generation.

DATA LIST(CXG-6060NX Series)**

CXG-606045NX (Size : 6.0×6.0±0.2mm, H=4.5mm max.)

Item	Stamp	Inductance			DCR typ. (mΩ)	DC Current typ. (A)	
		(μH)	Tolerance (%)	Test Freq. (kHz)		Ind. -30%	Temp. Δ40K
DA	1R0	1.0	±40	100	9	10.40	7.10
DD	1R8	1.8	±30	100	12	8.60	5.60
DE	2R2	2.2	±30	100	14	7.60	5.00
DF	2R7	2.7	±30	100	17	6.60	4.80
DG	3R3	3.3	±30	100	20	6.30	3.80
DJ	4R7	4.7	±30	100	25	5.60	3.50
DL	6R8	6.8	±30	100	34	5.30	3.00
EA	100	10	±20	100	56	4.00	2.60
EC	150	15	±20	100	79	3.50	2.30
EE	220	22	±20	100	89	2.30	1.90
EG	330	33	±20	100	130	1.90	1.80
EJ	470	47	±20	100	186	1.60	1.70
EL	680	68	±20	100	301	1.30	1.30
FA	101	100	±20	100	372	1.00	1.10
FE	221	220	±20	100	850	0.70	0.70
FG	331	330	±20	100	1370	0.60	0.60
FJ	471	470	±20	100	1890	0.46	0.47
FK	561	560	±20	100	2340	0.43	0.43
FM	821	820	±20	100	3350	0.37	0.36
GA	102	1000	±20	100	3900	0.35	0.31
GC	152	1500	±20	100	5600	0.29	0.27

DIMENSIONS



Unit : mm
Tolerance : ±0.2

• Any products mentioned in this catalog are subject to any modification in their appearance and others for improvements without prior notification.
• The details listed here are not a guarantee of the individual products at the time of ordering. When using the products, you will be asked to check their specifications.