

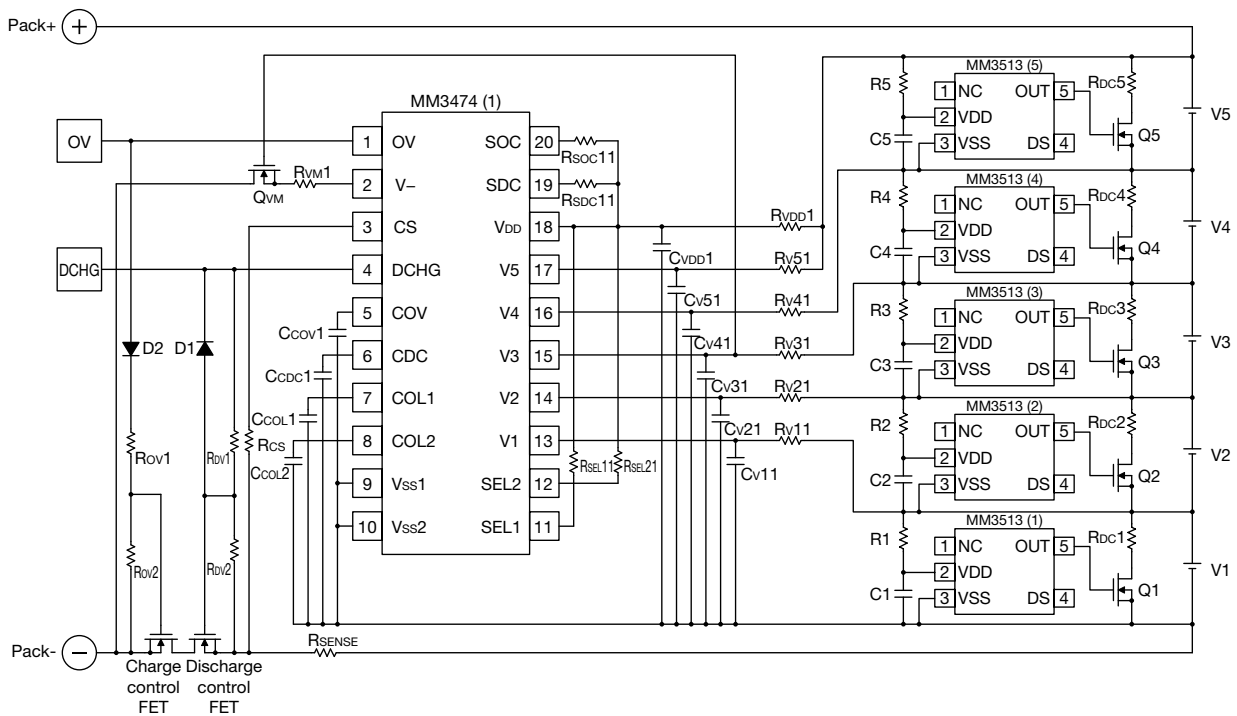


**Selection Guide** (3,000pcs/Reel)

Product name	Package	Detection voltage [V]	Hysteresis voltage [V]	Detection delay time [sec]
		Vdet	Vhys	tVdet
MM3513A01NRH	SOT-25A	4.150	0.010	0.25
MM3513B01NRH	SOT-25A	3.750	0.010	0.25
MM3513C01NRH	SOT-25A	4.200	0.010	0.25
MM3513D01NRH	SOT-25A	3.600	0.010	0.25
MM3513D02NRH	SOT-25A	3.600	0.100	0.25
MM3513F01NRH	SOT-25A	3.650	0.010	0.25
MM3513H01NRH	SOT-25A	4.175	0.010	0.25
MM3513J01NRH	SOT-25A	3.475	0.010	0.25

Please inquire to us, if you request a rank other than the above.

**Application Circuit**



- Resistors R1 to R5 and capacitors C1 to C5 stabilize a supply voltage ripple. However, if the resistors R1 to R5 are increased, the detection voltage raises due to through-current in the IC. Therefore, adjust the value to 1kΩ or less. Moreover, the capacitors C1 to C5 should be 0.01μF or more to ensure stable operation.
- For resistors RDC1 to RDC5, the value of bypass current is determined.