

# Precision Adjustable Shunt Regulator MM1431 Series

## Outline

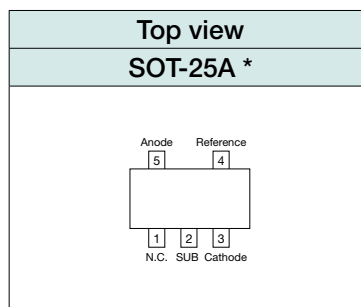
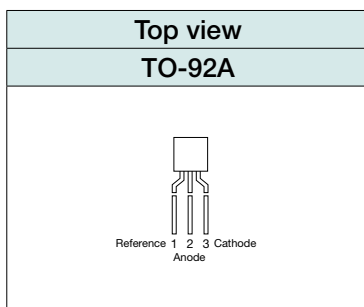
This IC is 3-terminal adjustable shunt regulator, which provides a highly accurate 0.8% bandgap reference voltage. The output voltage can be adjusted to any value between reference voltage  $V_{REF}$  and 35V with two external resistors. Moreover, there are a lot of ranges of the application as a zener diode besides the replacement is possible because it has steep turn-on characteristics.

## Features

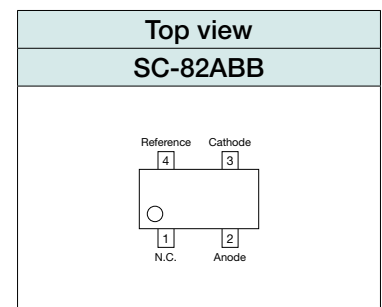
(Unless otherwise specified,  $T_{opr}=+25^{\circ}C$ )

- |  |   |
|--|---|
| (1) Reference voltage tolerance                      | $V_{REF}=2.495V\pm 0.8\%$   |
| (2) Output voltage can be adjusted                   | $V_{REF}\leq V_o\leq 35V$   |
| (3) Low Dynamic Output Impedance                     | $ Z_{KA} \leq 0.2\Omega$ typ.   |
| (4) Specifications                                   |   |
| ● Operating Temperature                              | $-30\sim+85^{\circ}C$   |
| ● Cathode to Anode voltage                           | $V_{KA}\quad V_{REF}\sim 35V$   |
| ● Cathode current                                    | $I_K\quad 0.6\sim 50mA$   |
| ● Reference voltage                                  | $V_{REF}\quad 2.495V\pm 0.8\%$  |
| ● Reference voltage deviation over temperature range | $\pm 10mV\quad (V_{KA}=V_{REF}, I_K=10mA\quad T_a=-30\sim+85^{\circ}C)$ |
| ● Minimum Cathode Current                            | $I_{Kmin.}\quad 0.6mA\quad max.$  |
| ● Off-state Cathode Current                          | $I_{OFF}\quad 0.1\mu A\quad typ.$                                       |

## Pin Assignment



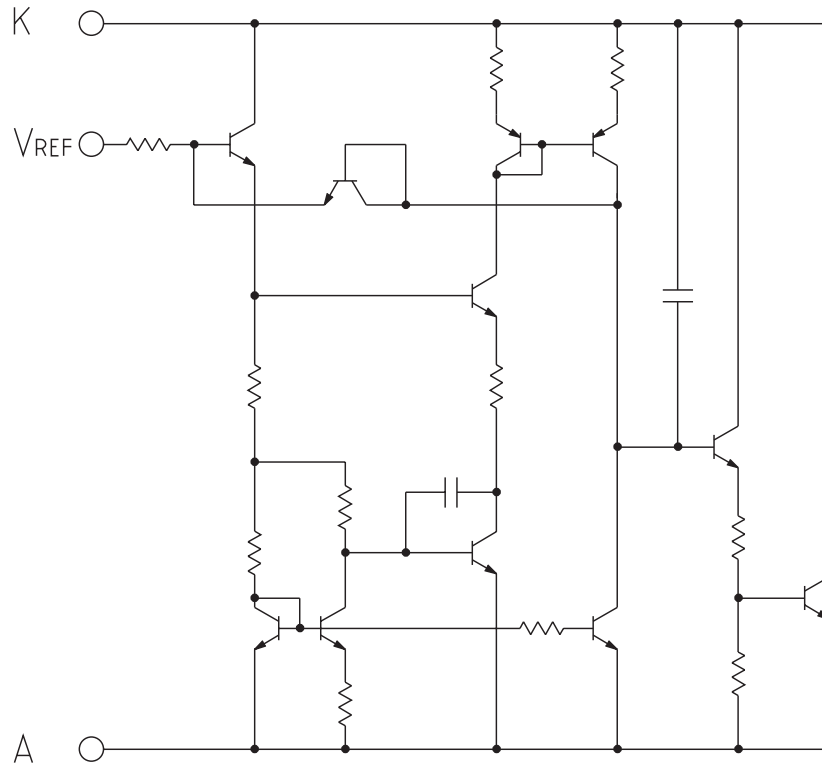
\* note : The second terminal is SUB, so connect the terminal to GND.



## Product list

Packages	Parts no.	Reference voltage	Cathode current	Dynamic impedance
TO-92A (BULK)	MM1431AT	2.495V±0.8%	0.6~50 mA	0.2Ω typ. / 0.5Ω Max
TO-92A (TAPING)	MM1431ATT	2.495V±0.8%	0.6~50 mA	0.2Ω typ. / 0.5Ω Max
SOT-25A	MM1431ANRE	2.495V±0.8%	0.6~50 mA	0.2Ω typ. / 0.5Ω Max
SC-82ABB	MM1431CURE	2.495V±0.8%	0.6~50 mA	0.2Ω typ. / 0.8Ω Max
SC-82ABB	MM1431DURE	2.495V±0.4%	0.6~50 mA	0.2Ω typ. / 0.8Ω Max

**Equivalent Circuit Diagram**



**Absolute Maximum Ratings** (Ambient Temperature,  $T_a=25^\circ\text{C}$ )

Item	Symbol	Ratings	Unit
Operating Temperature	$T_{OPR}$	-30~+85	$^\circ\text{C}$
Storage Temperature	$T_{STG}$	-40~+125	$^\circ\text{C}$
Cathode to Anode voltage	$V_{KA}$	35	V
Cathode current	$I_K$	-100~100	mA
Reference input current	$I_{REF}$	-0.05~10	mA
Allowable loss	$P_d$	550 (TO-92) 150 (SOT-25A)	mW

**Recommended Operating Conditions** (Ambient Temperature,  $T_a=25^\circ\text{C}$ )

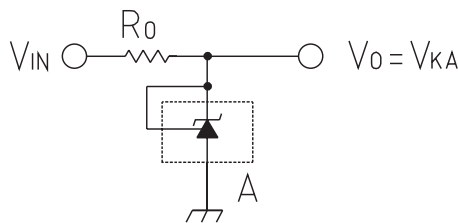
Cathode to Anode voltage	$V_{KA}$	$V_{REF}\sim 35$	V
Cathode current	$I_K$	0.6~50	mA

**Electrical Characteristics** (Ambient Temperature,  $T_a=25^\circ\text{C}$ )

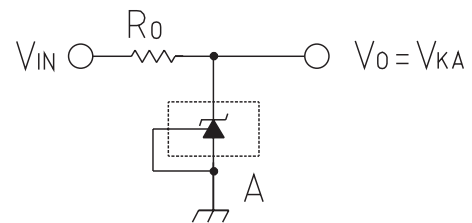
Item	Symbol	Measurement conditions	Min.	Typ.	Max.	Unit
Reference voltage	$V_{REF}$	$V_{KA}=V_{REF}, I_K=10\text{mA}$	2.475	2.495	2.515	V
Reference voltage deviation over temperature range	$\Delta V_{REF}/\Delta T_a$	$V_{KA}=V_{REF}, I_K=10\text{mA}$ $T_a=-30\sim+85^\circ\text{C}$		$\pm 10$		mV
Load regulation	$\Delta V_{REF}$	$\Delta V_{KA}=V_{REF}\sim 10\text{V}$ $I_K=10\text{mA}$		-1.4	-2.7	mV/V
	$\Delta V_{KA}$	$\Delta V_{KA}=10\text{V}\sim 35\text{V}$ $I_K=10\text{mA}$		-1	-2	mV/V
Reference input current	$I_{REF}$	$I_K=10\text{mA}$ $R_1=10\text{K}, R_2=\infty$		1	4	$\mu\text{A}$
Reference input current deviation over temperature range	$\Delta I_{REF}/\Delta T_a$	$I_K=10\text{mA}$ $R_1=10\text{K}, R_2=\infty$ $T_a=-30\sim+85^\circ\text{C}$		$\pm 0.5$		$\mu\text{A}$
Minimum Cathode Current	$I_{Kmin.}$	$V_{KA}=V_{REF}$		0.3	0.6	mA
Off-state Cathode Current	$I_{OFF}$	$V_{KA}=35\text{V}, V_{REF}=0\text{V}$		0.1	1.0	$\mu\text{A}$
Dynamic Impedance	$ Z_{KA} $	$V_{KA}=V_{REF}, f \leq 1\text{kHz}$ $I_K=1\sim 50\text{mA}$		0.2	0.5	$\Omega$

**Measuring Circuit**

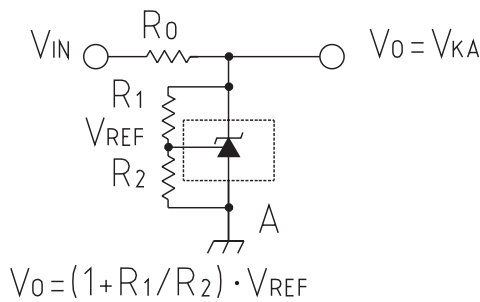
(1)  $V_{KA}=V_{REF}$



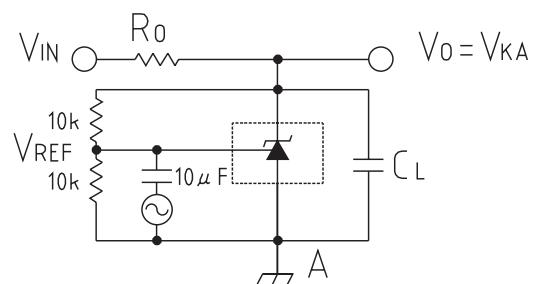
(3)  $I_{OFF}$



(2)  $V_{KA} \geq V_{REF}$   $V_0=V_{KA}=V_{REF}$



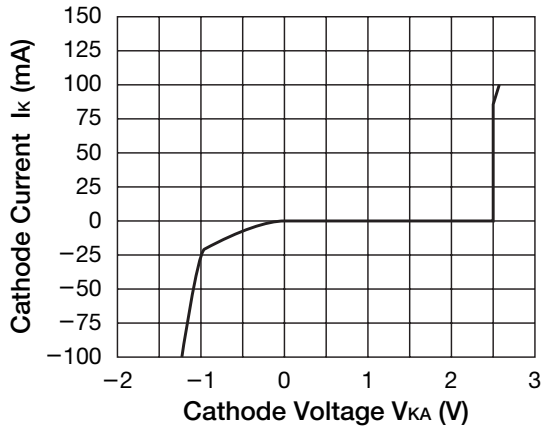
(4) Open Loop Voltage Gain



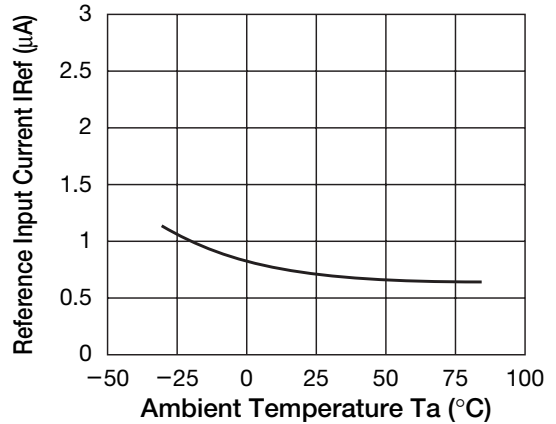
• Any products mentioned in this catalog are subject to any modification in their appearance and others for improvements without prior notification.  
 • The details listed here are not a guarantee of the individual products at the time of ordering. When using the products, you will be asked to check their specifications.

Characteristics

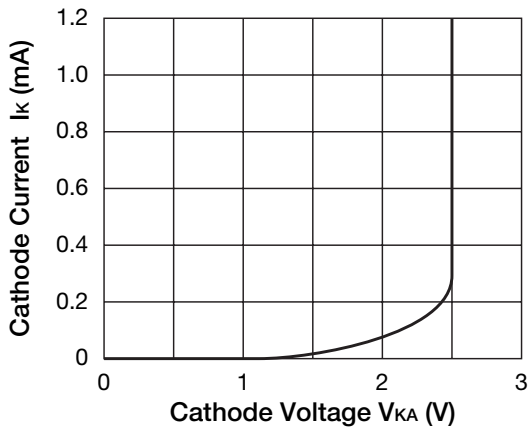
High Voltage Operating Characteristics



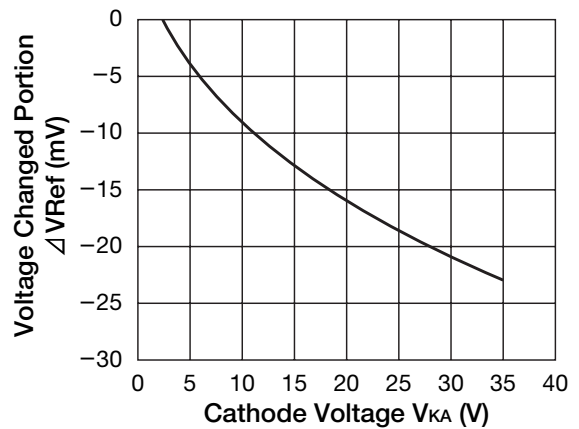
Reference Input Current



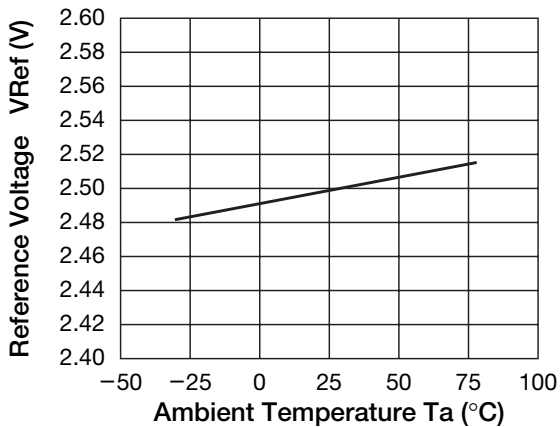
Low Current Operating Characteristics



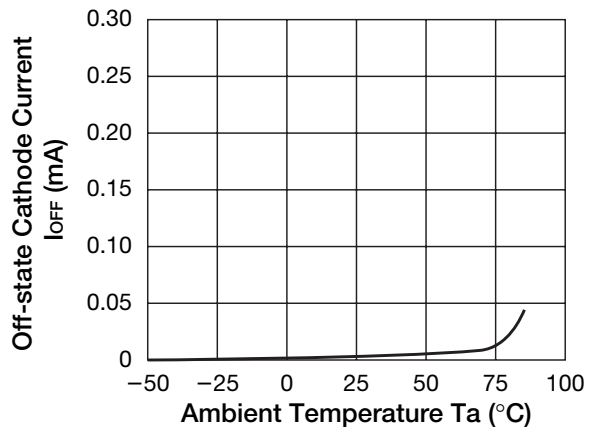
Reference Voltage



Reference Voltage

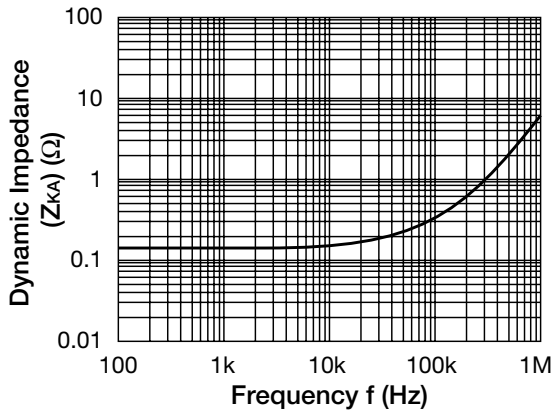


Off State Leakage

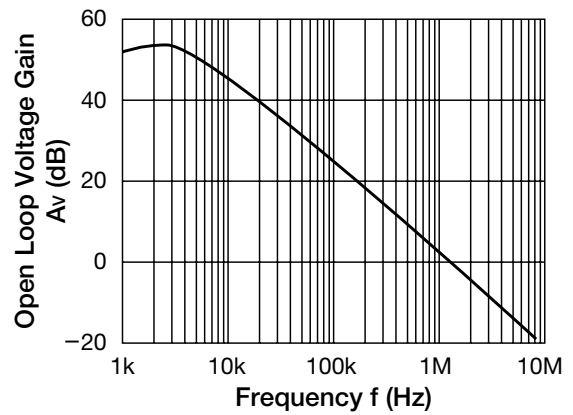


• Any products mentioned in this catalog are subject to any modification in their appearance and others for improvements without prior notification.  
 • The details listed here are not a guarantee of the individual products at the time of ordering. When using the products, you will be asked to check their specifications.

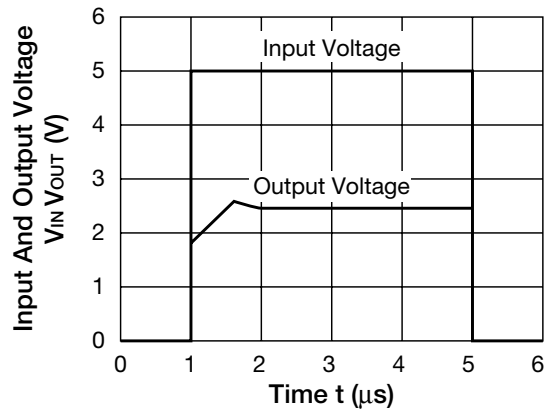
■ Dynamic Output Impedance



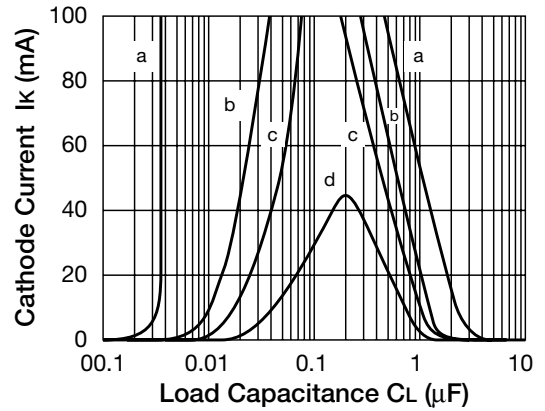
■ Open loop Voltage Gain  $V_{KA}=5V$



■ Pulse Response



■ Stability Boundary Conditions



a:  $V_{KA}=V_{REF}$  b:  $V_{KA}=5V$  c:  $V_{KA}=10V$

d:  $V_{KA}=15V$

Cathode voltage temperature  $T_a=25^{\circ}C$

$I_{KA}=10mA$   $C_L$ : Ceramic capacitor

Notes concerning stability operation region

The MM1431AT/AN requires external capacitors for regulator stability. These capacitors must be correctly selected for good performance.