

# 66329 25 kV HIGH VOLTAGE, 4N55 TYPE HIGH SPEED ISOLATOR



09/18/2009

### Features:

- TTL and CMOS compatible
- 25 kVdc Isolation
- 2 MHz Bandwidth typical
- Integral Detector Die Faraday Shield for improved Common Mode Rejection

### Applications:

- High Voltage Isolation
- Voltage Level Shifting
- Isolated Receiver Input
- Switching power supplies
- Medical systems

### DESCRIPTION

The **66329** high voltage isolator consists of an 850 nm LED optically coupled to a photodiode driven detector. The isolator provides high isolation and fast switching speeds over the specified temperature range of -40°C to +100°C. The isolator is built with hermetic components internally optically coupled and encased in a high temperature outer PPS plastic housing.

### ABSOLUTE MAXIMUM RATINGS (T<sub>A</sub>=25°C unless otherwise specified)

Isolation Voltage (Input to Output) (Note 2)	25 kVdc
Operating Free-Air Temperature Range	-40°C to +100°C
Storage Temperature	-40°C to +100°C
Solder Temperature (10 second, 1.6mm from case) (Note 1)	260°C

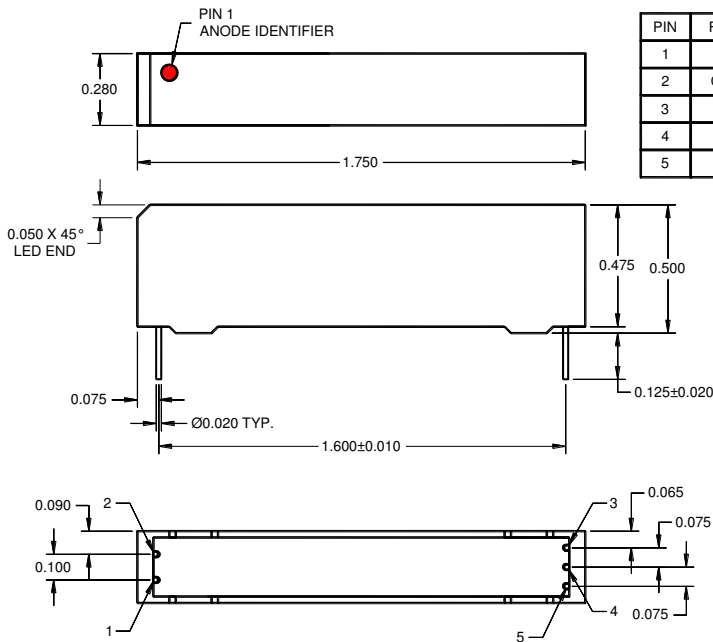
### LED:

Peak Forward Input Current (2 μs duration)	300 mA
Average Forward Input Current	20 mA
Reverse Input Voltage	3.0 V
Input Power Dissipation	40 mW

### Output IC:

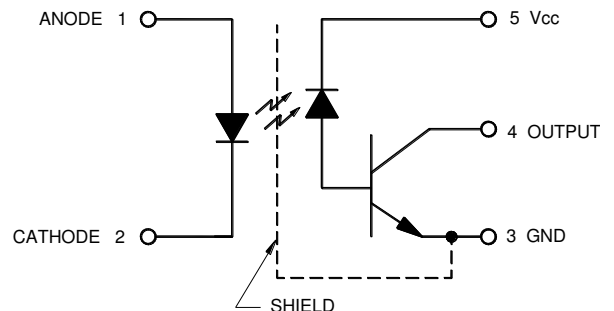
Supply voltage - V <sub>CC</sub>	20 V
Output Current - I <sub>O</sub>	20 mA
Output Power Dissipation	50 mW
Output Voltage - V <sub>O</sub>	20 V

### Package Dimensions



ALL DIMENSIONS ARE IN INCHES UNLESS OTHERWISE SPECIFIED

### Schematic Diagram



**ELECTRICAL CHARACTERISTICS** ( $T_A = -40^\circ\text{C}$  to  $+100^\circ\text{C}$  unless otherwise specified)

PARAMETER	SYMBOL	MIN	TYP	MAX	UNITS	TEST CONDITIONS	NOTE
<b>Input LED</b>							
Input Forward Voltage	$V_F$		1.3	1.8	V	$I_F = 20\text{ mA}$	
Reverse Current	$I_R$			100	$\mu\text{A}$	$V_R = 3.0\text{ V}$	
<b>Output IC</b>							
Current Transfer Ratio	CTR	9	20		%	$I_F = 16\text{ mA}$ , $V_O = 0.4\text{ V}$ , $V_{CC} = 4.5\text{ V}$	3
Output Leakage Current	$I_{OH1}$		70	250	$\mu\text{A}$	$I_F = 250\text{ }\mu\text{A}$ , $V_{CC} = V_O = 18\text{ V}$	
Logic High Output Current	$I_{OH}$		20	100	$\mu\text{A}$	$I_F = 0$ , $V_{CC} = V_O = 18\text{ V}$	
High Level Supply Current	$I_{CCH}$		0.02	10	$\mu\text{A}$	$I_F = 0\text{ mA}$ , $V_{CC} = 18\text{ V}$	
Low Level Supply Current	$I_{CCL}$		35	200	$\mu\text{A}$	$I_F = 20\text{ mA}$ , $V_{CC} = 18\text{ V}$	
Input – Output Isolation Voltage	$V_{I-O}$	25,000			V	$I_{I-O} = 25\text{ }\mu\text{A}$	2
Propagation Delay Time To High Output Level	$t_{PLH}$		2	6	$\mu\text{s}$	$I_F = 16\text{ mA}$ , $V_{CC} = 5.0\text{ V}$ , $R_L = 8.2\text{ k}\Omega$ $C_L = 50\text{ pF}$	
Propagation Delay Time To Low Output Level	$t_{PHL}$		0.4	2	$\mu\text{s}$	$I_F = 0.5\text{ mA}$ , $V_{CC} = 5.0\text{ V}$ , $R_L = 4.7\text{ k}\Omega$ $C_L = 50\text{ pF}$	
<b>Typical Characteristics</b> ( $V_{CC} = 5\text{ V}$ , $T_A = 25^\circ\text{C}$ )							
Input Capacitance	$C_{IN}$		120		pF	$V_F = 0$ , $f = 1\text{ MHz}$	
Coupling Capacitance (Input – Output)	$C_{I-O}$		1.5		pF	$V_F = 0$ , $f = 1\text{ MHz}$	2
Common Mode Transient Immunity At High Output Level	$CM_H$	500	1000		V/ $\mu\text{s}$	$V_{CM} = 10\text{ Vp-p}$ , $R_L = 8.2\text{ k}\Omega$ , $I_F = 0$	4, 6
Common Mode Transient Immunity At Low Output Level	$CM_L$	500	1000		V/ $\mu\text{s}$	$V_{CM} = 10\text{ Vp-p}$ , $R_L = 8.2\text{ k}\Omega$ , $I_F = 16\text{ mA}$	5, 6

**NOTES:**

- 1) The duration can be extended to 10 seconds maximum when flow soldering. Otherwise 5 seconds with soldering iron.
- 2) Device considered a two terminal device with all Input pins (Anode and Cathode) shorted together and all Output pins ( $V_{CC}$ , GND and Output) shorted together.
- 3) CURRENT TRANSFER RATIO is defined as the ratio of output collector current,  $I_O$ , to the forward LED input current,  $I_F$ , times 100%.
- 4)  $CM_H$  is the maximum tolerable common mode transient to assure the output will remain in a HIGH logic state (ie.  $V_O > 2.0\text{ V}$ ).
- 5)  $CM_L$  is the maximum tolerable common mode transient to assure the output will remain in a LOW logic state (ie.  $V_O < 0.8\text{ V}$ ).
- 6) In applications where  $dv/dt$  may exceed 50,000 V/ $\mu\text{s}$  (such as static discharge) a series resistor,  $R_{CC}$ , should be include to protect the detector IC from destructively high surge currents. The recommended value is  $R_{CC} = 1V/(0.6 * I_F)\text{ mA}$ .

**SELECTION GUIDE**

PART #	PART DESCRIPTION
66329-001	Commercial
66329-101	Screened