

66252

**6 PIN LCC, HERMETICALLY SEALED,
SINGLE CHANNEL OPTOCOUPLER
(Electrically Similar To 6N140)**



09/25/03

Features:

- High current transfer ratio: 1000% typical
- 1000 Vdc isolation test voltage
- Low input current requirement: 0.5mA
- Low power consumption
- High radiation immunity
- Faraday shield to provide high common mode rejection

Applications:

- Military and space
- High reliability systems
- Voltage level shifting
- Isolated receiver input
- Communication systems
- Medical systems

DESCRIPTION

The **66252** single channel optocoupler consists of an LED optically coupled to a high gain photon detector. This unique device provides high CTR and low leakage currents over the full military temperature range (-55°C to +125°C). The 66252 is in a 6 pin LCC hermetically sealed package and is available in standard and screened versions or tested to customer specifications.

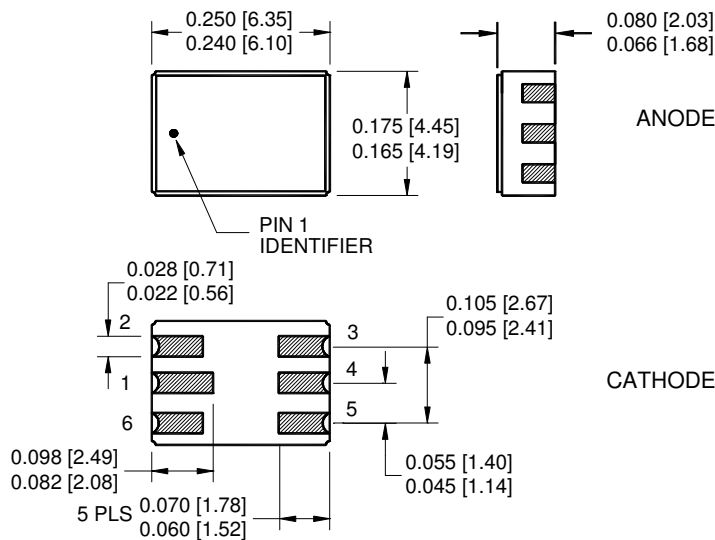
ABSOLUTE MAXIMUM RATINGS

Peak Forward Input Current (<1ms duration).....	20mA
Average Forward Input Current (Note 1).....	10mA
Reverse Input Voltage	5V
Supply Voltage - V _{CC} (Note 2)	-0.5 TO 20V
Output Current - I _O	40mA
Output Power Dissipation (Note 3).....	50mW
Output Voltage - V _O (Note 2)	-0.5 TO 20V
Storage Temperature.....	-65°C to +150°C
Operating Free-Air Temperature Range.....	-55°C to +125°C
Lead Solder Temperature (10 seconds, 1/16" below seating plane).....	260°C

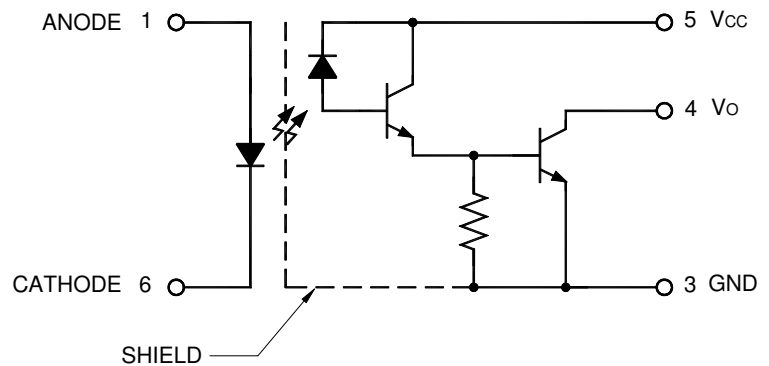
Notes:

1. Derate I_F at a rate of 0.33 mA/°C above 110°C.
2. Pin 3 should be the most negative voltage at the detector side. The lowest total I_{OH} over temperature is developed by keeping V_{CC} as low as possible, but greater than 2.0 V.
3. Collector output power plus supply power is total output power. Derate at rate of 0.5 mW/°C above 25°C.

Package Dimensions



Schematic Diagram



ALL DIMENSIONS ARE IN INCHES [MILLIMETERS]

66252

6 PIN LCC, HERMETICALLY SEALED, SINGLE CHANNEL OPTOCOUPLER (Electrically Similar To 6N140)

09/25/03

ELECTRICAL CHARACTERISTICST_a = -55°C to 125°C unless otherwise specified.

PARAMETER	SYMBOL	MIN	TYP	MAX	UNITS	TEST CONDITIONS	NOTE
Current Transfer Ratio	CTR	300	1000		%	I _F = 0.5mA, V _O = 0.4V, V _{CC} = 4.5V	1
		300	750		%	I _F = 1.6mA, V _O = 0.4V, V _{CC} = 4.5V	1
		200	400		%	I _F = 5.0mA, V _O = 0.4V, V _{CC} = 4.5V	1
Logic Low Output Voltage	V _{OL}		0.1	0.4	V	I _F = 0.5mA, I _{OL} = 1.5mA, V _{CC} = 4.5V	
			0.2	0.4	V	I _F = 5.0mA, I _{OL} = 10mA, V _{CC} = 4.5V	
Logic High Output Current	I _{OH}		.005	50	μA	I _F = 2μA, V _O = V _{CC} = 18V	
Logic High Supply Current	I _{CCH}		.010	10	μA	I _F = 0mA, V _{CC} = 18V	
Low Level Supply Current	I _{CCL}		0.8	2	mA	I _F = 1.6mA, V _{CC} = 18V	
Input Forward Voltage	V _F		1.4	1.7	V	I _F = 1.6mA	
Input Reverse Breakdown Voltage	BV _R	5			V	I _R = 10μA	
Input-Output Insulation Leakage Current	I _{I-O}			1.0	μA	V _{I-O} = 1000Vdc, Relative Humidity = 45% t _A = 25°C, t = 1s	2
Propagation Delay Time To High Output Level	t _{PLH}		5	60	μs	I _F = 0.5mA, V _{CC} = 5.0V, R _L = 4.7kΩ	
			4	20	μs	I _F = 5mA, V _{CC} = 5.0V, R _L = 680kΩ	
Propagation Delay Time To Low Output Level	t _{PHL}		8	100	μs	I _F = 0.5mA, V _{CC} = 5.0V, R _L = 4.7kΩ	
			2	5	μs	I _F = 5mA, V _{CC} = 5.0V, R _L = 680kΩ	

TYPICAL CHARACTERISTICST_a = 25°C, V_{CC} = 5V Each Channel

PARAMETER	SYMBOL	MIN	TYP	MAX	UNITS	TEST CONDITIONS	NOTE
Input Capacitance	C _{IN}		60		pF	V _F = 0, f = MHz, t _a = 25°C	
Capacitance (Input-Output)	C _{I-O}		1.5		pF	f = 1MHz, t _a = 25°C	2
Input Diode Temperature Coefficient	$\frac{\Delta V_F}{\Delta T_A}$		-1.8		mV/°C	I _F = 1.6mA	
Resistance (Input-Output)	R _{I-O}		10 ¹²		Ω	V _{I-O} = 500V, t _a = 25°C	2
Common Mode Transient immunity at High Output Level	CM _H	500	1000		V/μs	V _{CM} = 50V P-P, V _{CC} = 5.0V, R _L = 1.5kΩ, I _F = 0mA t _a = 25°C	3, 5
Common Mode Transient Immunity at Low Output Level	CM _L	500	1000		V/μs	V _{CM} = 50V P-P, V _{CC} = 5.0V, R _L = 1.5kΩ, I _F = 1.6mA t _a = 25°C	4, 5

NOTES:

- CURRENT TRANSFER RATIO is defined as the ratio of output collector current, I_O, to the forward LED input current, I_F, times 100%.
- Device considered a two-terminal device. Pins 1 and 6 are shorted together and pins 3-5 are shorted together.
- CM_H is the maximum tolerable common mode transient to assure that the output will remain in a high logic state (i.e. V_O > 2.0V).
- CM_L is the maximum tolerable common mode transient to assure that the output will remain in a low logic state (i.e. V_O < 0.8V).
- In applications where dv/dt may exceed 50,000 V/μs (such as static discharge) a series resistor, R_{CC}, should be included to protect the detector ICs from destructively high surge currents. The recommended value is $R_{CC} = \frac{1V}{0.6 I_F(mA)} = k\Omega$.

RECOMMENDED OPERATING CONDITIONS:

PARAMETER	SYMBOL	MIN	MAX	UNITS
Input Current, Low Level	I _{FL}	0	2	μA
Input Current, High Level	I _{FH}	0.5	5	mA
Supply Voltage	V _{CC}	2.0	18	V

SELECTION GUIDE

PART NUMBER	PART DESCRIPTION
66252-000	Screened, full mil-temp (-55° to +125°C)
66252-002	Military operating range (-55° to +125°C)
66252-003	Commercial