

**62121**

**LIGHT EMITTING DIODE**



09/22/03

**Features:**

- Hermetically sealed
- High output, 880 nm
- Small package

**Applications:**

- Touch screen arrays
- Reflective sensors
- Position sensors
- Level sensors

**DESCRIPTION**

The **62121** is an Infrared Light Emitting Diode in a flat lensed TO-46 package and is spectrally matched to silicon phototransistors and photodarlington. Available as commercial or screened levels.

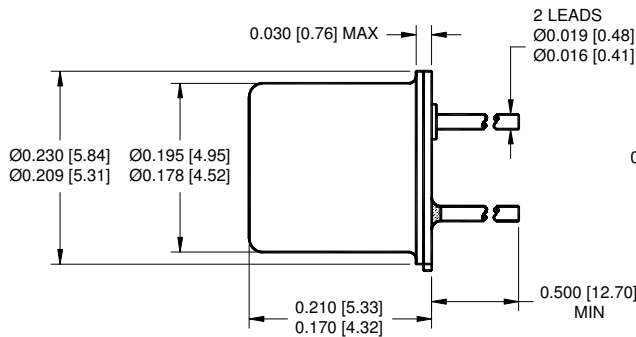
**ABSOLUTE MAXIMUM RATINGS** 25°C FREE AIR TEMPERATURE UNLESS NOTED

Reverse Voltage.....	2Vdc
Forward Current-Continuous (Note 1).....	120mA
Storage Temperature.....	-55°C to +150°C
Operating Temperature .....	-55°C to +125°C
Soldering Temperature (10 seconds, 1/16" from case) .....	240°C

**NOTES:**

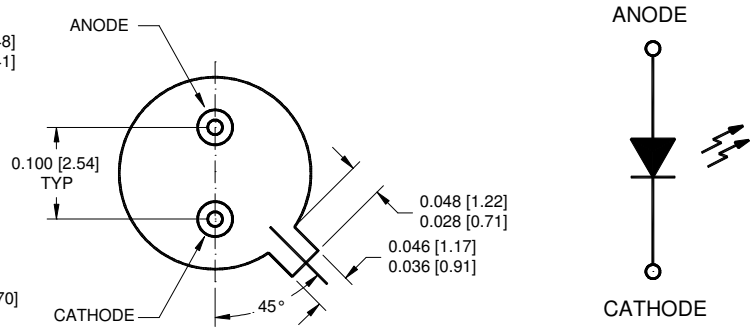
1. Derate linearly to 125°C case temperature at the rate of 1.2 mA/°C.

**Package Dimensions**



ALL DIMENSIONS ARE IN INCHES [MILLIMETERS]

**Schematic Diagram**



THE ANODE IS IN ELECTRICAL CONTACT WITH THE CASE.

# 62121

## LIGHT-EMITTING DIODE

09/22/03

### ELECTRICAL CHARACTERISTICS

T<sub>A</sub> = 25°C unless otherwise specified.

PARAMETER	SYMBOL	MIN	TYP	MAX	UNITS	TEST CONDITIONS	NOTE
Output Power	P <sub>O</sub>	10			mW	I <sub>F</sub> = 50mA	
Forward Voltage	V <sub>F</sub>			1.45	V	I <sub>F</sub> = 50mA	
Reverse Breakdown Voltage	B <sub>VR</sub>	6			V	I <sub>R</sub> = 10μA	
Radiation Rise Time	t <sub>R</sub>		0.7		μs		
Peak Wavelength	λ <sub>P</sub>		880		nm	I <sub>F</sub> = 100mA	
Beam Angle	θ		40		degrees		1
Forward Max Continuous Current	I <sub>F(MAX)</sub>			120	mA	25°C Case	

#### NOTES:

1. Angle between half-intensity points.

#### RECOMMENDED OPERATING CONDITIONS:

PARAMETER	SYMBOL	MIN	MAX	UNITS
Forward Current	I <sub>F</sub>		50	mA

#### SELECTION GUIDE

PART NUMBER	PART DESCRIPTION
62121-001	Commercial
62121-101	Screened