

**62196**

**RED LIGHT EMITTING DIODE**



11/05/2012

**Features:**

- Hermetically sealed
- 660 nm wavelength
- Small package
- Designed for Hi-Reliability Applications

**Applications:**

- Fault Indicator
- Logic Status Indicator
- Binary Data Display
- Off/On Indicator

**DESCRIPTION**

The **62196** is a Red Light Emitting Diode in a dome lens TO-46 package. The 62196 is ideal for use as a Status Indicator in Hi-Reliability applications. Available screened to customer specifications and/or screened to MIL-PRF-19500.

**ABSOLUTE MAXIMUM RATINGS** 25°C FREE AIR TEMPERATURE UNLESS NOTED

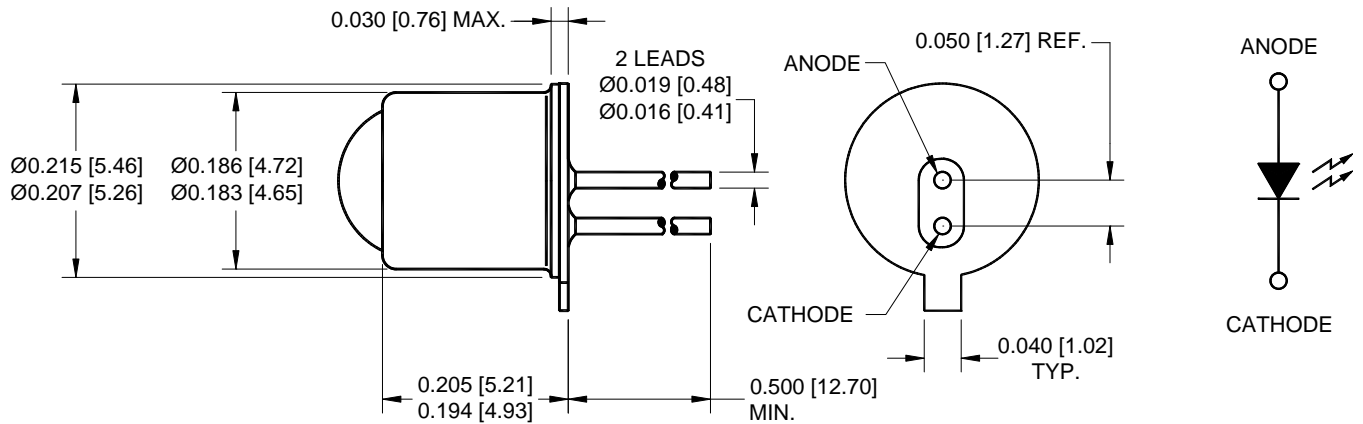
Reverse Voltage( at 25°C case temperature) .....	5 Vdc
Forward Current-Continuous (Note 1) .....	100 mA
Forward Current-Pulsed (Note 2) .....	.1 A
Storage Temperature.....	-65°C to +150°C
Operating Temperature .....	-55°C to +125°C
Soldering Temperature (10 seconds, 1/16" from case) .....	240°C

**NOTES:**

1. Derate linearly to 125°C case temperature at the rate of 1.0 mA/°C.
2. 250 μs, 1000 PPS

**Package Dimensions**

**Schematic Diagram**

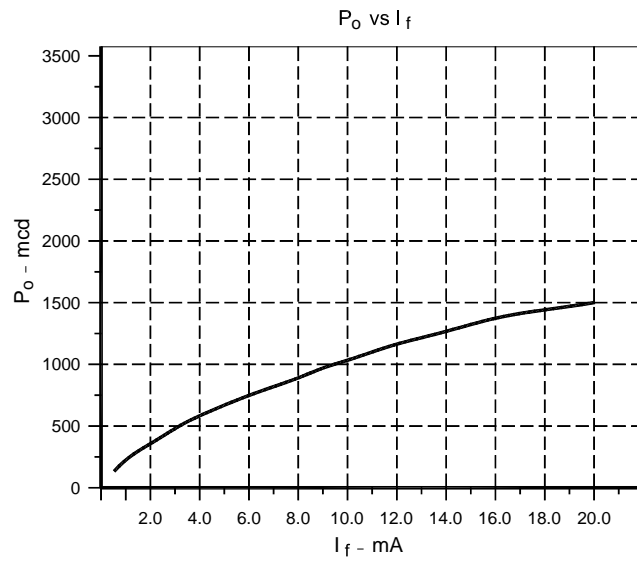
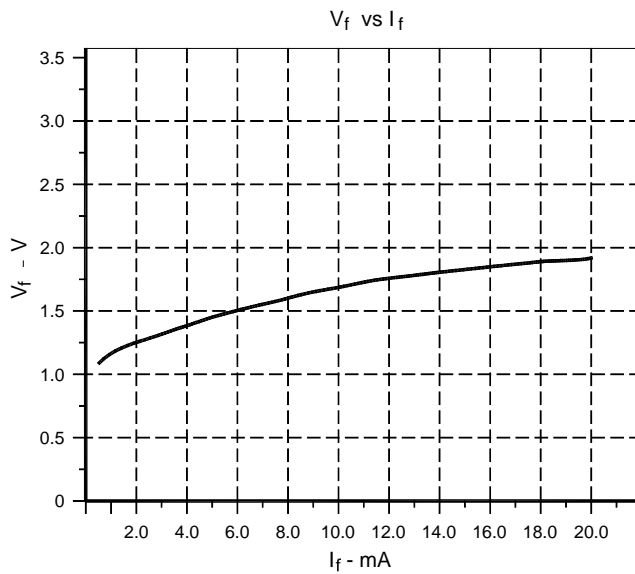


ALL DIMENSIONS ARE IN INCHES [MILLIMETERS]

**ELECTRICAL/OPTICAL CHARACTERISTICS**

T<sub>A</sub> = -55°C to +100°C unless otherwise specified

PARAMETERS	DASH #	SYMBOL	TEST CONDITIONS	MIN.	TYP.	MAX.	UNITS
AXIAL LUMINOUS INTENSITY	-X01	I <sub>V</sub>	I <sub>F</sub> = 20 mA θ = 0° T <sub>A</sub> = 25°C	1.0	1.5		cd
AXIAL LUMINOUS INTENSITY	-X01	I <sub>V</sub>	I <sub>F</sub> = 20 mA θ = 0° T <sub>A</sub> = 100°C	0.75	1.3		cd
PEAK WAVELENGTH	-X01	λ <sub>p</sub>			660		nm
REVERSE CURRENT	-X01	I <sub>R</sub>	V <sub>R</sub> = 5 V			10	μA
FORWARD VOLTAGE	-X01	V <sub>F</sub>	I <sub>F</sub> = 20 mA	0.8	1.8	2.0	Vdc



**RECOMMENDED OPERATING CONDITIONS:**

PARAMETER	SYMBOL	MIN.	MAX	UNITS
Forward Current	I <sub>F</sub>		20	mA
Operating Temperature	T <sub>A</sub>	-55	+100	°C

**SELECTION GUIDE**

PART	PART DESCRIPTION
62196-001	Commercial
62196-101	Screened