

62159

**NVIS COMPATIBLE HERMETIC REAR ENTRY
PANEL MOUNT LED INDICATORS**



08/19/2011

Features:

- Hermetically sealed
- Panel Mount with teflon insulated leads
- Designed for Hi-Reliability applications
- NVIS compatible green A

Applications:

- Cockpit Instrumentation
- P.C. Board Fault Indicator
- Logic Status Indicator
- Binary Data Display
- Power supply on/off indicator

DESCRIPTION

The **62159** series LED indicators are hermetically sealed in TO-46 packages prior to being mounted in a wired rear entry panel mount housing. These indicators utilize ultra high efficiency MOCVD grown GaN green LED die. The Panel mount housing facilitates easy design-in for many display applications. These indicators are available in commercial and screening levels.

ABSOLUTE MAXIMUM RATINGS

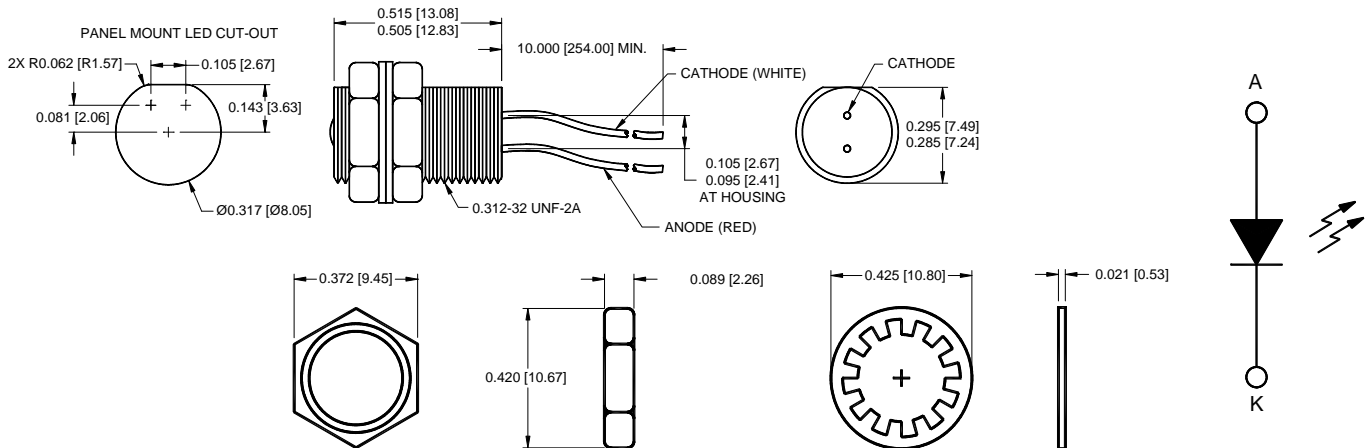
Continuous Forward Current	30 mA
Peak Forward Current (0.5 ms pulse width).....	100 mA
Forward Voltage (I _F =30 mA)	5.5 Vdc
Reverse Voltage (I _R =100 μA.).....	5 Vdc
Power Dissipation (Note 1)	120 mW
Peak Transient Current (Note 2).....	1 A
Maximum Mounting Torque (Panel mount version)	25 in• lbs
Storage Temperature.....	-65°C to +100°C
Operating Temperature	-55°C to +100°C
Lead Soldering Temperature (10 seconds, 1/16" from case).....	260°C

NOTES:

1. Derate linearly at the rate of 1.66 mW/°C above 25°C.
2. 1 μs pulse width, 300 pulses per second.

Panel Mount Dimensions

Schematic Diagram



NOTES:

1. ALL EXTERNAL METAL SURFACES OF THE PACKAGE ARE BLACK ANODIZE
2. MOUNTING HARDWARE WHICH INCLUDES TWO STAINLESS STEEL LOCK WASHERS AND TWO STAINLESS STEEL HEX NUTS IS INCLUDED WITH EACH PANEL MOUNTABLE HERMETIC SOLID STATE LAMP.
3. WIRES ARE 20 AWG TEFLON INSULATED

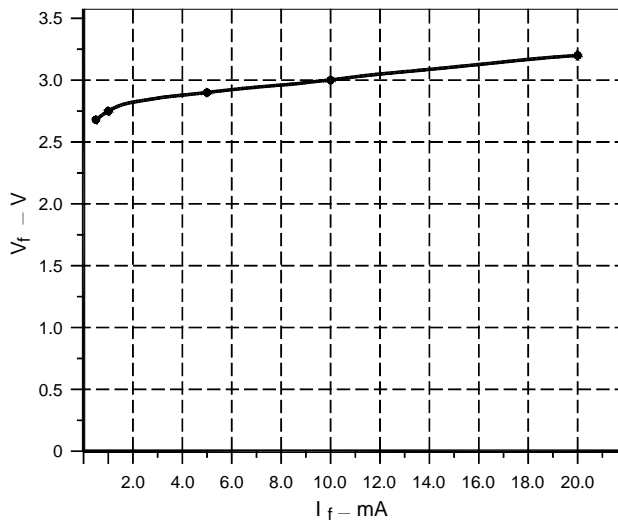
ALL DIMENSIONS ARE IN INCHES [MILLIMETERS]

ELECTRICAL/OPTICAL CHARACTERISTICS

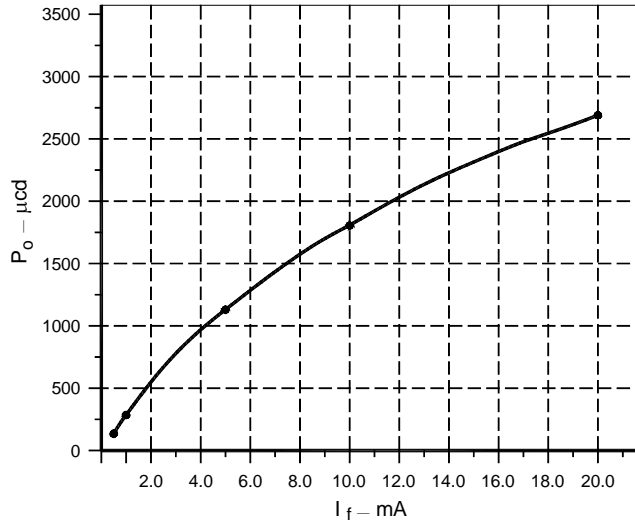
T_A = -55°C to +100°C unless otherwise specified

PARAMETERS	DASH #	SYMBOL	TEST CONDITIONS	MIN.	TYP.	MAX.	UNITS
AXIAL LUMINOUS INTENSITY	-3XX	I _V	I _F = 20 mA θ = 0° T _A = 25°C	1.5	2.5		cd
AXIAL LUMINOUS INTENSITY	-3XX	I _V	I _F = 20 mA θ = 0° T _A = 100°C	1.0	2.0		cd
PEAK WAVELENGTH	-3XX	λ _p			520		nm
REVERSE CURRENT	-3XX	I _R	V _R = 5 V			10	μA
FORWARD VOLTAGE	-3XX	V _F	I _F = 20 mA		3.2	4.0	Vdc

V_f vs I_f



P_o vs I_f



RECOMMENDED OPERATING CONDITIONS:

PARAMETER	SYMBOL	MIN.	MAX	UNITS
Forward Current	I _F		20	mA
Operating Temperature	T _A	-55	+100	°C

SELECTION GUIDE

PART	PART DESCRIPTION
62159-311	Commercial , Green, Rear Panel Mount
62159-312	Screened , Green, Rear Panel Mount