

**62118**

**TRI-COLOR HERMETIC LED INDICATORS**



06/27/2012

**Features:**

- Hermetically sealed
- Selectable colors (Red, Blue, Violet)
- Designed for Hi-Reliability applications

**Applications:**

- Fault Indicator
- Logic Status Indicator
- Data Display
- Power supply on/off indicator
- Set Point Indicator

**DESCRIPTION**

The **62118** series indicators are hermetically sealed in TO-46 packages with a diffused dome lens which provides improved viewability in bright sunlight. The RED indicator utilizes a high efficiency GaAsP on GaP LED, while the BLUE and VIOLET indicators utilize a GaN on Sapphire substrate LED. Available as commercial or screened levels.

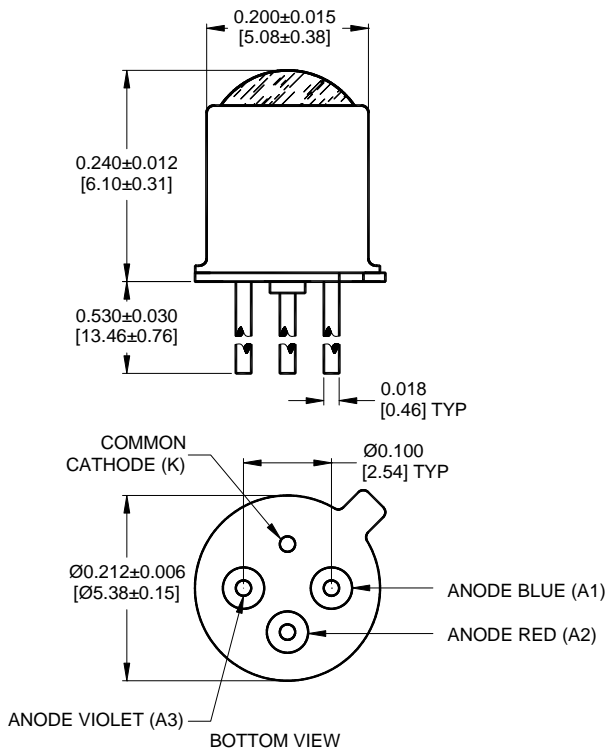
**ABSOLUTE MAXIMUM RATINGS**

|   |                 |
|---|-----------------|
| Reverse Voltage .....   | 5 Vdc           |
| Package Power Dissipation (Note 1).....                       | 120 mW          |
| Forward Current-Continuous .....                              | 30 mA           |
| Storage Temperature.....                                      | -40°C to +100°C |
| Operating Temperature .....                                   | -40°C to +85°C  |
| Lead Soldering Temperature (10 seconds, 1/16" from case)..... | 260°C           |

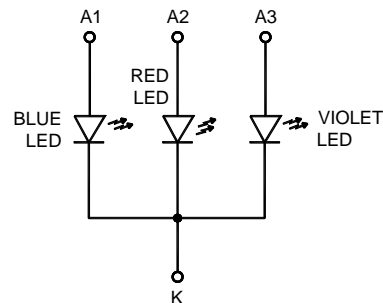
**Notes:**

1. Derate linearly at the rate of 1.6 mW/°C above 25°C.

**Dimensions**



**Schematic Diagram**



ALL DIMENSIONS ARE IN INCHES [MILLIMETERS]

# 62118

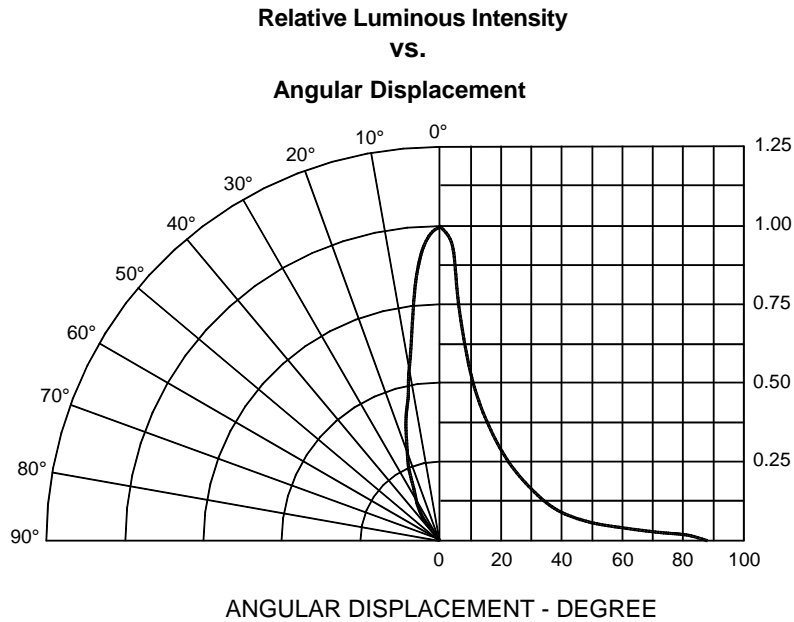
06/27/2012

## ELECTRICAL CHARACTERISTICS

T<sub>A</sub> = 25°C unless otherwise specified

## TRI-COLOR HERMETIC LED INDICATORS

| PART NUMBER | COLOR  | TEST CONDITION         | PARAMETER LIMITS |                          |                           |                |        |                |
|-------------|--------|------------------------|------------------|--------------------------|---------------------------|----------------|--------|----------------|
|             |        |                        | PEAK $\lambda$   | $I_{V1\theta} = 0^\circ$ | $I_{V2\theta} = 30^\circ$ | V <sub>F</sub> | C      | I <sub>R</sub> |
|             |        |                        | TYP.             | MIN.                     | MIN.                      | MAX.           | MAX.   | MAX.           |
| 62118       | RED    | I <sub>F</sub> = 20 mA | 635              | 3 mcd                    | 1.5 mcd                   | 2.4 V          | 100 pF |                |
| 62118       | BLUE   | I <sub>F</sub> = 20 mA | 475              | 3 mcd                    | 1.5 mcd                   | 3.5 V          | 100 pF |                |
| 62118       | VIOLET | I <sub>F</sub> = 20 mA | 375              | 3 mcd                    | 1.5 mcd.                  | 4.0 V          | 100 pF |                |
| 62118       | All    | V <sub>R</sub> = 3 V   |                  |                          |                           |                |        | 10 $\mu$ A     |



### RECOMMENDED OPERATING CONDITIONS:

| PARAMETER             | SYMBOL         | MIN | MAX | UNITS |
|-----------------------|----------------|-----|-----|-------|
| Forward Current       | I <sub>F</sub> |     | 20  | mA    |
| Operating Temperature | T <sub>A</sub> | -40 | +85 | °C    |

### SELECTION GUIDE

| PART NUMBER | PART DESCRIPTION |
|-------------|------------------|
| 62118-001   | Commercial       |
| 62118-101   | Screened         |