

62162

BLUE LIGHT EMITTING DIODE



02/16/2009

Features:

- Hermetically sealed
- 470 nm wavelength
- Small package
- Designed for Hi-Reliability Applications

Applications:

- Fault Indicator
- Logic Status Indicator
- Binary Data Display
- Off/On Indicator

DESCRIPTION

The **62162** is a Blue Light Emitting Diode in a dome lens TO-46 package. The 62162 is ideal for use as a Status Indicator in Hi-Reliability applications. Available screened to customer specifications and/or screened to MIL-PRF-19500.

ABSOLUTE MAXIMUM RATINGS 25°C FREE AIR TEMPERATURE UNLESS NOTED

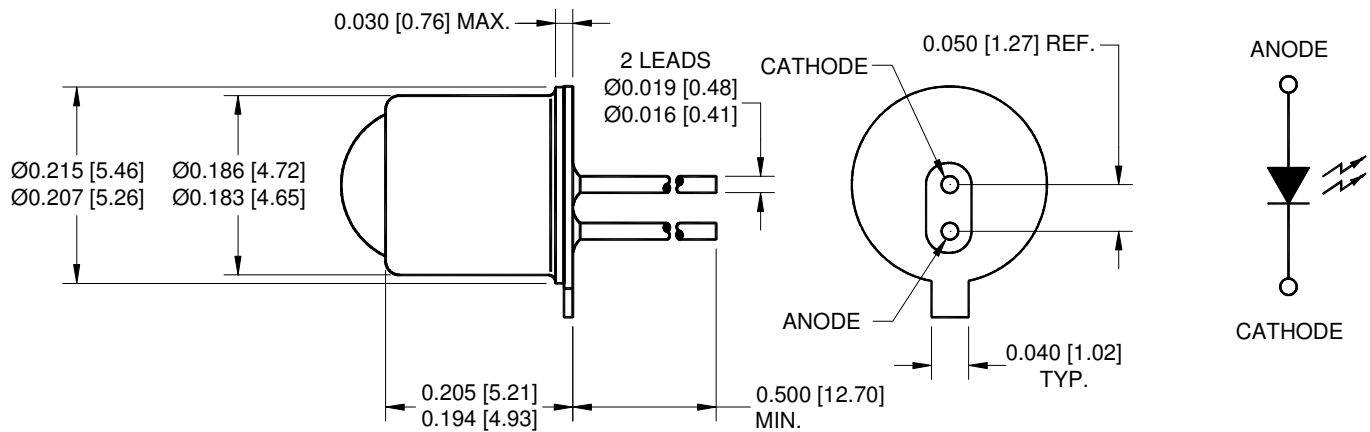
| | |
|---|-----------------|
| Reverse Voltage(at 25°C case temperature) | 5 Vdc |
| Forward Current-Continuous (Note 1) | 100 mA |
| Forward Current-Pulsed (Note 2) | 1 A |
| Storage Temperature..... | -65°C to +150°C |
| Operating Temperature | -55°C to +125°C |
| Soldering Temperature (10 seconds, 1/16" from case) | 240°C |

NOTES:

1. Derate linearly to 125°C case temperature at the rate of 1.0 mA/°C.
2. 250 µs, 1000 PPS

Package Dimensions

Schematic Diagram



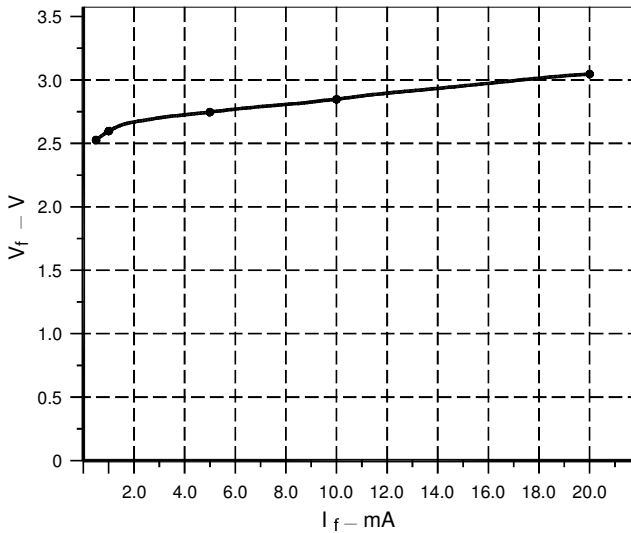
ALL DIMENSIONS ARE IN INCHES [MILLIMETERS]

ELECTRICAL/OPTICAL CHARACTERISTICS

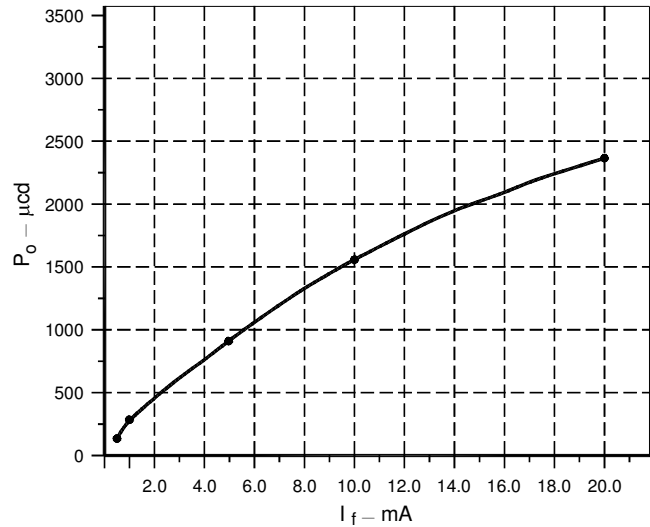
T_A = -55°C to +100°C unless otherwise specified

| PARAMETERS | DASH # | SYMBOL | TEST CONDITIONS | MIN. | TYP. | MAX. | UNITS |
|--------------------------|--------|----------------|--|------|------|------|-------|
| AXIAL LUMINOUS INTENSITY | -X01 | I _V | I _F = 20 mA θ = 0° T _A = 25°C | 1.0 | 2.4 | | cd |
| AXIAL LUMINOUS INTENSITY | -X01 | I _V | I _F = 20 mA θ = 0° T _A = 100°C | 0.75 | 1.8 | | cd |
| PEAK WAVELENGTH | -X01 | λ _p | | | 470 | | nm |
| REVERSE CURRENT | -X01 | I _R | V _R = 5 V | | | 10 | μA |
| FORWARD VOLTAGE | -X01 | V _F | I _F = 20 mA | | 3.1 | 3.5 | Vdc |

V_f vs I_f



P_o vs I_f



RECOMMENDED OPERATING CONDITIONS:

| PARAMETER | SYMBOL | MIN. | MAX | UNITS |
|-----------------------|----------------|------|------|-------|
| Forward Current | I _F | | 20 | mA |
| Operating Temperature | T _A | -55 | +100 | °C |

SELECTION GUIDE

| PART | PART DESCRIPTION |
|-----------|------------------|
| 62162-001 | Commercial |
| 62162-101 | Screened |