

**62100**

**ULTRA-BRITE HERMETIC LED INDICATORS  
TO-46 AND PANEL MOUNT**



10/22/03

**Features:**

- Hermetically sealed
- Panel Mount versions with wire wrappable leads
- Designed for Hi-Reliability applications
- Ultra-high brightness
- Choice of colors: blue, cyan, green

**Applications:**

- P.C. Board Fault Indicator
- Logic Status Indicator
- Binary Data Display
- Power supply on/off indicator

**DESCRIPTION**

The **62100** series LED indicators are hermetically sealed in TO-46 packages. These indicators utilize ultra high efficiency MOCVD grown GaN blue, cyan, or green LED dies. Panel mount versions are available for facilitating easy design-in for many display applications. These indicators are available in commercial and screening levels.

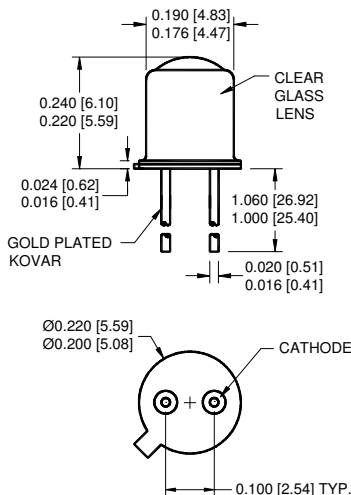
**ABSOLUTE MAXIMUM RATINGS**

Continuous Forward Current .....	30mA
Peak Forward Current (0.5 ms pulse width).....	100mA
Forward Voltage (I <sub>F</sub> =30 mA) .....	5.5Vdc
Reverse Voltage (I <sub>R</sub> =100 μA.).....	5Vdc
Power Dissipation (Note 1) .....	120mW
Peak Transient Current (Note 2).....	1A
Maximum Mounting Torque (Panel mount version) .....	25in•lbs
Storage Temperature .....	-65°C to +100°C
Operating Temperature.....	-55°C to +100°C
Lead Soldering Temperature (10 seconds, 1/16" from case) .....	260°C

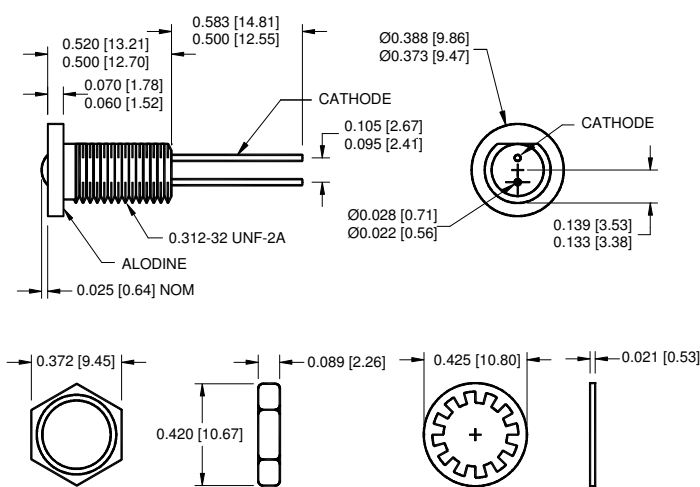
**NOTES:**

1. Derate linearly at the rate of 1.66 mW/°C above 25°C.
2. 1 μs pulse width, 300 pulses per second.

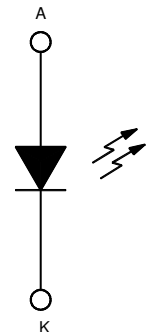
**Indicator Dimensions**



**Panel Mount Dimensions**



**Schematic Diagram**



ALL DIMENSIONS ARE IN INCHES [MILLIMETERS]

**NOTES:**

1. ALL EXTERNAL METAL SURFACES OF THE PACKAGE ARE BLACK ANODIZED EXCEPT FOR THE ALODINE AREA OF THE FLANGE AND THE GOLD-PLATED LEADS.
2. MOUNTING HARDWARE WHICH INCLUDES ONE LOCK WASHER AND ONE HEX NUT IS INCLUDED WITH EACH

**ELECTRICAL/OPTICAL CHARACTERISTICS**T<sub>A</sub>=-55°C to +100°C unless otherwise specified

PARAMETERS	DASH #	SYMBOL	TEST CONDITIONS	MIN.	TYP	MAX.	UNITS
AXIAL LUMINOUS INTENSITY	-3XX	I <sub>V</sub>	I <sub>F</sub> = 20 mA. θ = 0° T <sub>A</sub> = 25°C	1.5	3.0		cd
	-4XX			0.5	1.4		
	-5XX			2.0	4.0		
AXIAL LUMINOUS INTENSITY	-3XX	I <sub>V</sub>	I <sub>F</sub> = 20 mA. θ = 0° T <sub>A</sub> = 100°C	1.0	2.0		cd
	-4XX			0.375	1.05		
	-5XX			1.3	2.6		
PEAK WAVELENGTH	-3XX	λ <sub>p</sub>			520		nm
	-4XX				470		
	-5XX				495		
REVERSE CURRENT	-3XX	I <sub>R</sub>	V <sub>R</sub> = 5 V			10	mA
	-4XX					10	
	-5XX					10	
FORWARD VOLTAGE	-3XX	V <sub>F</sub>	I <sub>F</sub> =20ma		3.2	4.0	Vdc
	-4XX				3.5	4.0	
	-5XX				3.3	4.0	

**RECOMMENDED OPERATING CONDITIONS:**

PARAMETER	SYMBOL	MIN.	MAX	UNITS
Forward Current	I <sub>F</sub>		20	MA
Operating Temperature	T <sub>A</sub>	-55	+100	°C

**SELECTION GUIDE**

PART NUMBER	PART DESCRIPTION
62100-301	Commercial, Green, TO-46
62100-302	Screened, Green, TO-46
62100-311	Commercial , Green, Panel Mount
62100-312	Screened , Green, Panel Mount
62100-401	Commercial, Blue, TO-46
62100-402	Screened, Blue, TO-46
62100-411	Commercial , Blue, Panel Mount
62100-412	Screened , Blue, Panel Mount
62100-501	Commercial, Cyan, TO-46
62100-502	Screened, Cyan, TO-46
62100-511	Commercial , Cyan, Panel Mount
62100-512	Screened , Cyan, Panel Mount