

62040-X1X
M19500/519HB
M19500/520HB
M19500/521HB

**JAN AND JANTX QUALIFIED,
 HI-BRITE PANEL MOUNT
 HERMETIC LED INDICATORS**



04/27/2012

Features:

- Hermetically sealed
- Choice of colors (Red, Yellow, Green)
- Panel Mount with wire wrappable leads
- Designed for Hi-Reliability applications
- High Brite Glass Lens
- DLA qualified

Applications:

- P.C. Board Fault Indicator
- Logic Status Indicator
- Binary Data Display
- Power supply on/off indicator

DESCRIPTION

The **62040-X1X** series indicators contain a hermetically sealed visible LED in a TO-46 package with a clear glass lens which provides improved viewability in bright sunlight. The /519HB (red) and /520HB (yellow) indicators utilize a high efficiency GaAsP on GaP LED, while the /521HB (green) indicator utilizes a GaP on GaP LED. All versions are available in commercial, JAN or JANTX screened levels.

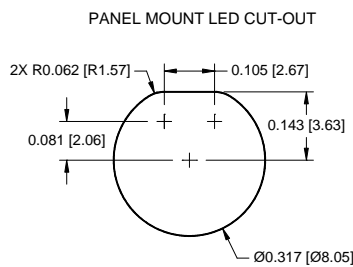
ABSOLUTE MAXIMUM RATINGS

Reverse Voltage	5 Vdc
Power Dissipation (Note 1)	120 mW
Forward Current-Continuous	35 mA
Storage Temperature	-65°C to +100°C
Operating Temperature	-55°C to +100°C
Lead Soldering Temperature (10 seconds, 1/16" from case)	260°C
Maximum Mounting Torque (Panel mount version)	25in• lbs

Notes:

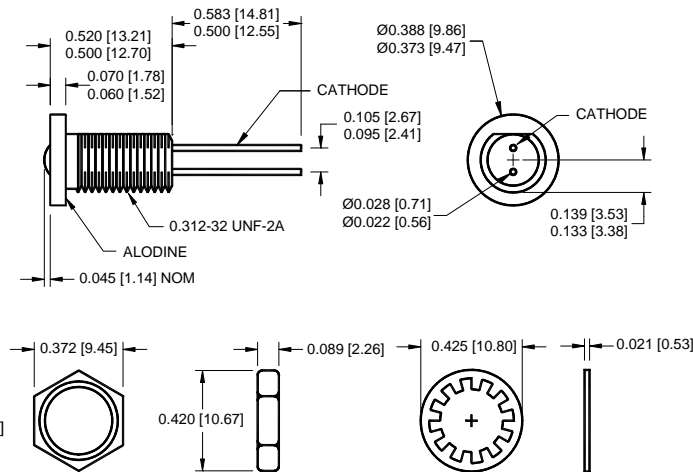
1. Derate at the rate of 1.6 mW/°C above 50°C.

Indicator Dimensions

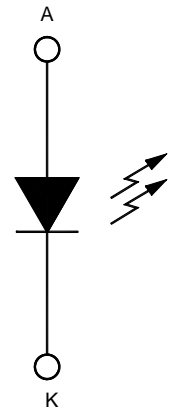


ALL DIMENSIONS ARE IN INCHES [MILLIMETERS]

Panel Mount Dimensions



Schematic Diagram



NOTES:

1. ALL EXTERNAL METAL SURFACES OF THE PACKAGE ARE BLACK ANODIZED EXCEPT FOR THE ALODINE AREA OF THE FLANGE AND THE GOLD-PLATED LEADS.
2. MOUNTING HARDWARE WHICH INCLUDES ONE LOCK WASHER AND ONE HEX NUT IS INCLUDED WITH EACH PANEL MOUNTABLE HERMETIC SOLID STATE LAMP.

62040

M19500/519HB

M19500/520HB JAN AND JANTX QUALIFIED, HI-BRITE PANEL MOUNT HERMETIC LED INDICATORS

M19500/521HB

04/27/2012

ELECTRICAL CHARACTERISTICS $T_A=25^\circ\text{C}$

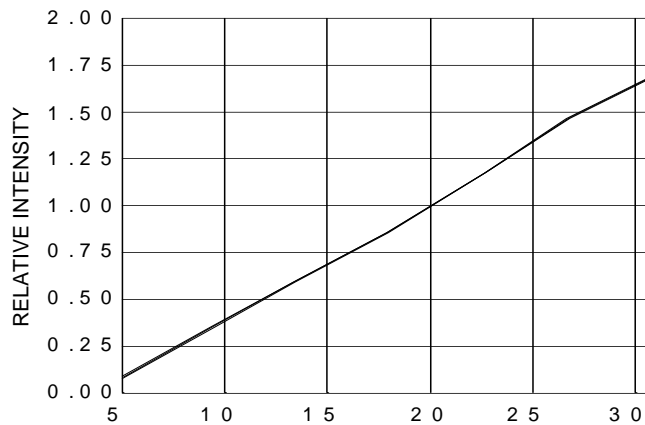
PART NUMBER	COLOR	TEST CONDITION	PARAMETER LIMITS			
			I_F mA	PEAK λ TYP.	$I_{V1\theta=0^\circ}$ MIN.	V_F MAX.
62040-11X	RED	20	635	20 mcd	3V	100pF
62040-21X	YELLOW	20	585	20 mcd	3V	100pF
62040-31X	GREEN	20	570	20 mcd	3V	100pF

Relative Luminous Intensity

vs.

Forward Current

(Normalized at 20 mA)

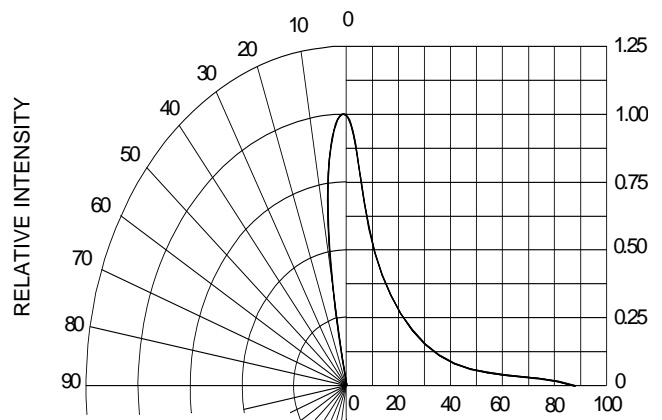


I_F - Forward Current - mA

Relative Luminous Intensity

vs.

Angular Displacement



Angular Displacement

RECOMMENDED OPERATING CONDITIONS:

PARAMETER	SYMBOL	MIN	MAX	UNITS
Forward Current	I_F	20	35	mA
Operating Temperature	T_A	-55	+100	$^\circ\text{C}$

SELECTION GUIDE

PART NUMBER	PART DESCRIPTION	CONTROLLING MIL DOCUMENT
62040-111	Commercial, Red LED, Panel Mount	M19500/519HB
62040-112	JAN Screened, Red LED, Panel Mount	M19500/519HB-03
62040-113	JANTX Screened, Red LED, Panel Mount	M19500/519HB-04
62040-211	Commercial, Yellow LED, Panel Mount	M19500/520HB
62040-212	JAN Screened, Yellow LED, Panel Mount	M19500/520HB-03
62040-213	JANTX Screened, Yellow LED, Panel Mount	M19500/520HB-04
62040-311	Commercial, Green LED, Panel Mount	M19500/521HB
62040-312	JAN Screened, Green LED, Panel Mount	M19500/521HB-03
62040-313	JANTX Screened, Green LED, Panel Mount	M19500/521HB-04