

62094

VISIBLE HERMETIC LED INDICATOR
CURRENT LIMITED TO-46 OR PANEL MOUNT



10/22/03

Features:

- Hermetically sealed
- Choice of colors: Red, Yellow, Green
- Diffused Dome
- Panel mount versions include mounting hardware
- Designed for high-reliability applications

Applications:

- P.C. board fault indicators
- Logic status indicator
- Binary data display
- On – Off indicator
- Power supply on/off indicator

DESCRIPTION

These indicators are hermetically sealed in TO-46 packages. A tinted diffused dome lens provides good on-off contrast and a wide viewing angle. The red and yellow indicators utilize a high efficiency GaAsP on GaP LED, while green utilizes a GaP on GaP LED. Panel mount versions with wire wrappable leads are also available including the necessary hardware. All versions are available in standard or screened to JANTX levels.

ABSOLUTE MAXIMUM RATINGS

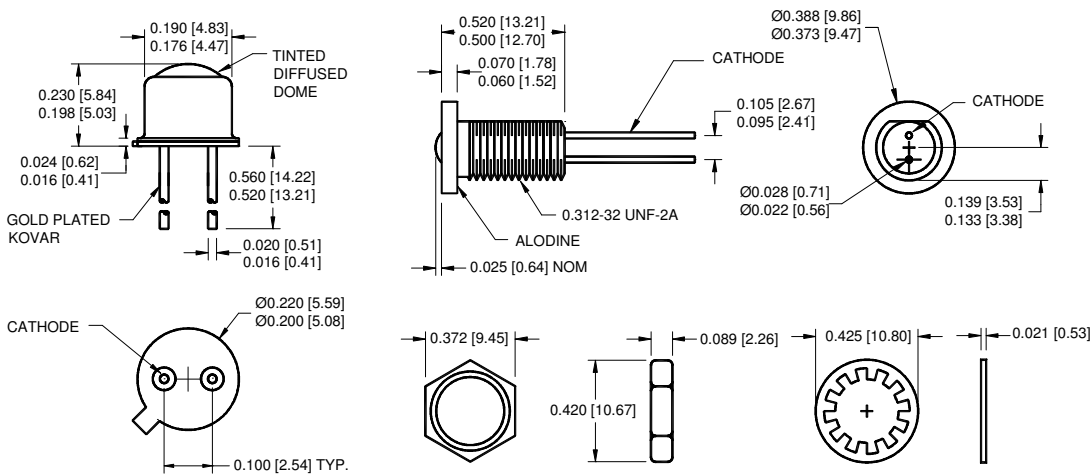
Reverse Voltage.....	5.0 Vdc
Forward Voltage	30 Vdc
Continuous power dissipation (Note 1)	250 mW
Operating temperature range	-55° to + 100°C
Storage temperature range.....	-65° to + 100°C
Lead Soldering Temperature (10 seconds, 1/16" from case).....	240°C

Notes:

1. Derate linearly 3.3 mW/°C above 25°C.

Package Dimensions

Schematic Diagram



ALL DIMENSIONS ARE IN INCHES [MILLIMETERS]

NOTES:

1. ALL EXTERNAL METAL SURFACES OF THE PACKAGE ARE BLACK ANODIZED EXCEPT FOR THE ALODINE AREA OF THE FLANGE AND THE GOLD-PLATED LEADS.
2. MOUNTING HARDWARE WHICH INCLUDES ONE LOCK WASHER AND ONE HEX NUT IS INCLUDED WITH EACH PANEL MOUNTABLE HERMETIC SOLID STATE LAMP.

62094

10/22/03

VISIBLE HERMETIC LED INDICATOR CURRENT LIMITED TO-46 OR PANEL MOUNT**OPTICAL/ELECTRICAL CHARACTERISTICS AT 25°C UNLESS OTHERWISE SPECIFIED**

COLOR	PART NUMBER	TEST CONDITION	PARAMETER LIMIT		
			I_F (MIN-MAX)	V_F	I_V MIN
Red	62094-1XX	3.5 - 8.0 mA	5 - 30 Vdc	5 mcd	635nm
Yellow	62094-2XX	3.5 - 8.0 mA	5 - 30 Vdc	5 mcd	585nm
Green	62094-3XX	3.5 - 8.0 mA	5 - 30 Vdc	5 mcd	570nm

SELECTION GUIDE

PART NUMBER	PART DESCRIPTION
62094-104	Screened, Red LED, TO-46
62094-105	Commercial, Red LED, TO-46
62094-114	Screened, Red LED, Panel Mount
62035-115	Commercial, Red LED, Panel Mount
62094-204	Screened, Yellow LED, TO-46
62094-205	Commercial, Yellow LED, TO-46
62094-214	Screened, Yellow LED, Panel Mount
62035-215	Commercial, Yellow LED, Panel Mount
62094-304	Screened, Green LED, TO-46
62094-305	Commercial, Green LED, TO-46
62094-314	Screened, Green LED, Panel Mount
62094-315	Commercial, Green LED, Panel Mount