

# 62166 BI-COLOR HERMETIC LED INDICATOR WITH WIRES



04/21/2009

### Features:

- Hermetically sealed
- Choice of color combinations
- Panel Mount with 15" 22 AWG wire leads
- Designed for Hi-Reliability applications

### Applications:

- P.C. Board Fault Indicator
- Logic Status Indicator
- Binary Data Display
- Power supply on/off indicator

## DESCRIPTION

The **62166** series indicators contain 2 separately addressable LED die hermetically sealed in a TO-46 package with a diffused dome lens which provides improved viewability in bright sunlight. The RED and YELLOW die utilize high efficiency GaAsP on GaP material, while the GREEN die utilizes GaP on GaP material. The TO-46 package is wired with 3 15" 22 AWG Teflon insulated wires and potted into a panel mount housing for ease of installation.

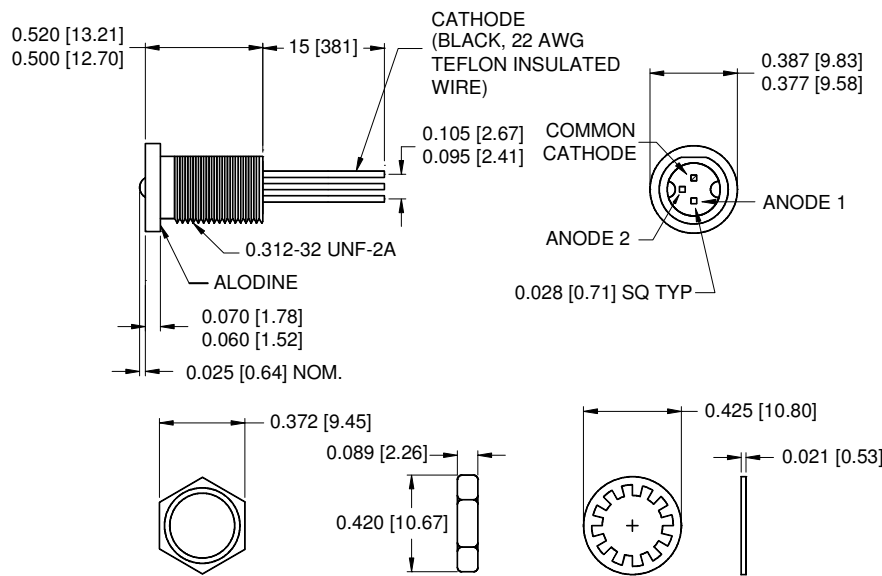
## ABSOLUTE MAXIMUM RATINGS

Reverse Voltage .....	5 Vdc
Power Dissipation (Note 1) .....	120 mW
Forward Current-Continuous .....	35 mA
Storage Temperature .....	-65°C to +100°C
Operating Temperature .....	-55°C to +100°C
Lead Maximum Insertion Torque.....	25 in•lbs

### NOTES:

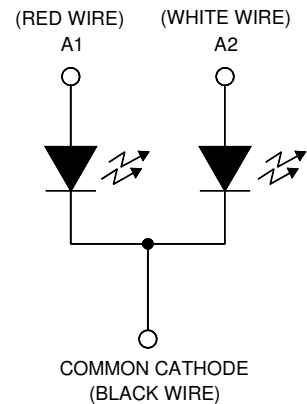
1. Derate linearly at the rate of 1.6 mW/°C above 25°C

### Dimensions



ALL DIMENSIONS ARE IN INCHES [MILLIMETERS]

### Schematic Diagram



- 21X A1 - ANODE OF RED LED (RED WIRE)  
A2 - ANODE OF YELLOW LED (WHITE WIRE)
- 31X A1 - ANODE OF RED LED (RED WIRE)  
A2 - ANODE OF GREEN LED (WHITE WIRE)
- 41X A1 - ANODE OF YELLOW LED (RED WIRE)  
A2 - ANODE OF GREEN LED (WHITE WIRE)

# 62166

04/21/2009

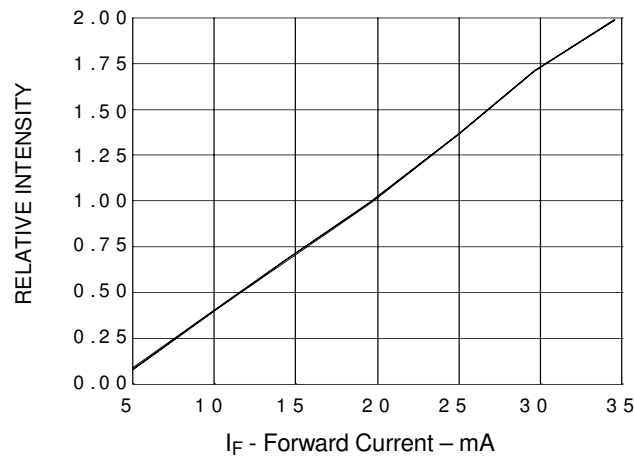
## ELECTRICAL CHARACTERISTICS

T<sub>A</sub> = 25°C unless otherwise specified.

## BI-COLOR HERMETIC LED INDICATOR WITH WIRES

PART NUMBER	COLOR	TEST CONDITION	PARAMETER LIMITS			
		I <sub>F</sub>	PEAK λ	I <sub>V</sub>	V <sub>F</sub>	C
		mA	TYP.	MIN.	MAX.	MAX.
62166-21X, -31X	RED	20	635	3 mcd	3V	100 pF
62166-21X, -41X	YELLOW	20	585	3 mcd	3V	100 pF
62166-31X, -41X	GREEN	20	570	3 mcd	3V	100 pF

Relative Luminous Intensity  
vs  
Forward Current  
(Normalized at 20 mA)



### RECOMMENDED OPERATING CONDITIONS

PARAMETER	SYMBOL	MIN	MAX	UNITS
Forward Current	I <sub>F</sub>	20	35	mA (1)
Operating Temperature	T <sub>A</sub>	-55	+100	°C

#### NOTES:

1. Per LED

### SELECTION GUIDE

PART NUMBER	PART DESCRIPTION
62166-211	Yellow/Red LED, commercial
62166-213	Yellow/Red LED, screened
62166-311	Green/Red LED, commercial
62166-313	Green/Red LED, screened
62166-411	Yellow/Green LED, commercial
62166-413	Yellow/Green LED, screened