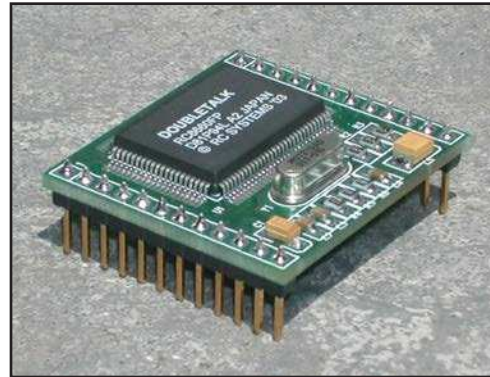


V-Stamp™

CMOS, 3.3 Volt / 5 Volt
Voice Synthesizer Module

FEATURES

- Based on RC Systems' RC8660 chipset
- Integrated text-to-speech processor:
 - High voice quality, unlimited vocabulary
 - Converts any ASCII text into speech automatically
 - Add/modify messages by simply editing a text file
 - On-the-fly control of speed, pitch, volume, etc.
- Four channel, 8-bit A/D converter
- Record, download, upload, and play sound files:
 - Record and/or download to onboard recording memory
 - Internal file system for easy management of recordings
 - Data logging mode
 - Recording times from 2 min to 33 min available
- Tone generation:
 - Three voice musical
 - Dual sinusoidal
 - DTMF (Touch-Tone) dialer
- Flexible user exception dictionary:
 - Change the pronunciation of any input string based on spelling and context
 - Convert encrypted data into meaningful messages
 - Trigger tone generation, message playback, voice changes
- 8 KB input buffer for "print-and-forget" TTS operation
- 1 W audio output power can directly drive an 8 ohm speaker
- Standard asynchronous serial (UART) interface
- Low power (typ @ 3.3 V, excluding audio power amplifier):
 - 3.8 mA active
 - 700 µA idle
 - 0.7 µA standby



APPLICATIONS

- Robotics
- Electronic test and measurement
- GPS navigation systems
- Meeting federal ADA requirements
- Talking e-mail/telecommunications
- Remote diagnostic reporting
- ATM machines
- Dial-up information systems
- Vending and ticketing machines
- Industrial controllers
- Security and warning systems
- Aids for the orally or visually disabled

GENERAL DESCRIPTION

The V-Stamp is a feature-rich, self-contained voice/sound synthesizer and recorder, measuring only 1.7 square inches (11 cm²) in size. Among the V-Stamp's many features are text-to-speech conversion, audio recording and playback, musical and sinusoidal tone generation, a telephone dialer and four-channel A/D converter. All features are accessed using a standard logic-level serial interface.

The V-Stamp mates with two standard, 12-pin PC board connectors. Separate power pins are provided for the onboard digital and audio subsystems, allowing for several possible output power and power consumption combinations.

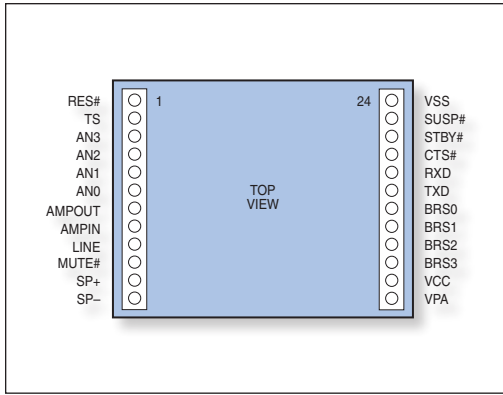
For additional information about using and programming the V-Stamp, please refer to the *DoubleTalk RC8660 Chipset User's Manual*, available from www.rcsys.com.

V-Stamp Product Summary

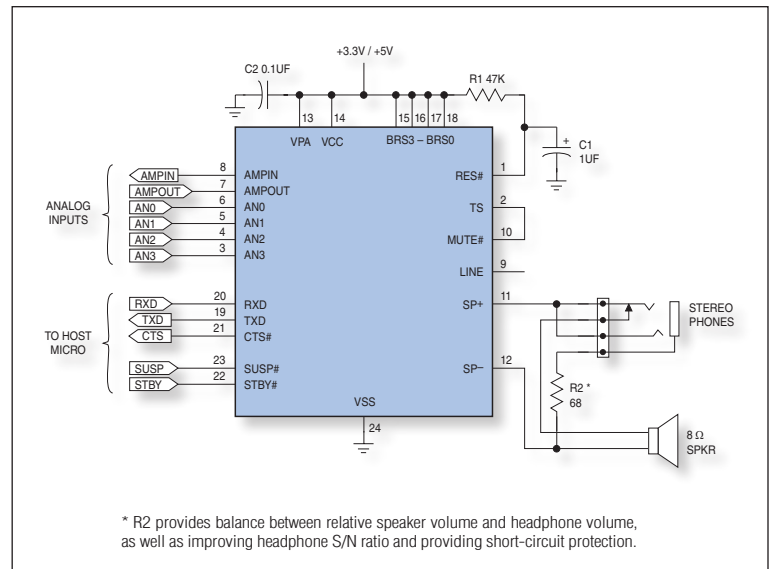
Order Number	Operating Voltage	Recording Capacity *	Chipset
VS5130	5 V	2 min	RC8660F1C
VS3130	3.3 V	2 min	RC86L60F1I
VS3910	3.3 V	15 min	RC86L60F3I
VS3950	3.3 V	33 min	RC86L60F4I

* Based on 8 kHz sampling rate with ADPCM encoding

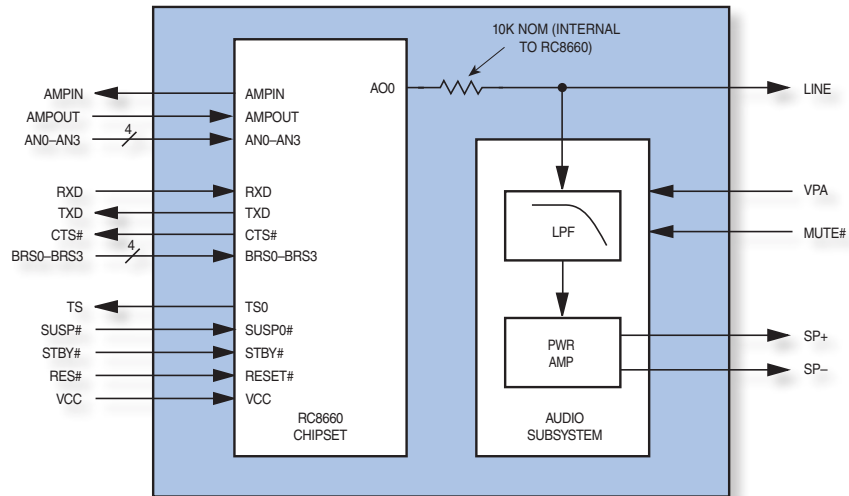
PIN CONFIGURATION



TYPICAL APPLICATION CIRCUIT



FUNCTIONAL BLOCK DIAGRAM



PIN DESCRIPTIONS

Pin Name	Type	Name and Function
LINE	INPUT/ OUTPUT	LINE: High impedance (10 kΩ typ), unfiltered audio output; also feeds into onboard audio subsystem. Output voltage range is from 0 V to V _{CC} . External audio sources may also be resistively summed with the V-Stamp's audio and amplified through this pin.
SP+ SP-	OUTPUT	SPEAKER: Low impedance, filtered, differential audio output that can deliver up to 1 W into an 8 ohm load. Output power is a function of the voltage on the V _{PA} pin and Volume command setting. A DC voltage of V _{PA} /2 is present on each pin when MUTE# is High; both pins enter a high-impedance state when MUTE# is Low. Do not connect either pin to a low impedance ground-referenced load without a DC blocking capacitor.
TS	OUTPUT	TALK STATUS: Indicates when the V-Stamp is active. TS can be used to enable devices such as a transmitter, telephone, or audio amplifier. The pin's polarity is programmable, and can be activated automatically or under program control.
SUSP#	INPUT	SUSPEND: Suspends audio output when Low, allowing playback to be paused. When High, playback resumes at the point output was suspended. During recording operations, SUSP# suspends recording when Low. SUSP# can also be used to suspend the transfer of a file while a file is being uploaded from recording memory. Connect this pin to a High level if not used.
MUTE#	INPUT	MUTE: Shuts down the audio subsystem when Low, reducing the V _{PA} pin current to less than 1 μA. The SP pins also enter a high-impedance state when MUTE# is Low. Connecting this pin to the TS pin will cause the amplifier circuit to automatically shut down whenever the V-Stamp is inactive, thus conserving power. Connect this pin to a High level if not used.
ANO—AN3	INPUT	A/D CONVERTER INPUTS: Analog to digital converter input pins. Analog signals sampled on these pins can be read through the serial interface, or stored in recording memory. Leave any unused pins unconnected.
AMPIN AMPOUT	OUTPUT INPUT	A/D CONVERTER AMPLIFIER: Connecting an operational amplifier between these pins allows the input voltage to all four A/D converter input pins to be amplified with one operational amplifier. Leave these pins unconnected if not used.
RXD	INPUT	RECEIVE DATA: Asynchronous serial data input used to send text, data and commands to the V-Stamp. Uses standard protocol of 8 data bits, 1 stop bit, no parity.
TXD	OUTPUT	TRANSMIT DATA: Asynchronous serial data output used to read information out of the V-Stamp.
CTS#	OUTPUT	CLEAR TO SEND: The CTS# pin is Low when the V-Stamp is able to accept data. If the input buffer becomes full as a result of the last byte received, CTS# will go High and remain High until room becomes available.
BRS0— BRS3	INPUT	BAUD RATE SELECT: Programs the V-Stamp's serial port baud rate. Both the RXD and TXD pins are programmed to the rate set by these pins. Connecting BRS0—BRS3 to a High level allows the V-Stamp to automatically detect the incoming baud rate.
STBY#	INPUT	STANDBY: A Low immediately terminates all activity and places the V-Stamp in Standby mode. The CTS# pin is driven High ("not ready" state), and the input buffer is cleared. During standby, the V-Stamp draws the minimum possible current (0.7 μA typ @ 3.3 V), but it is not able to respond to any input pin except STBY# and RES#. Returning STBY# High causes the V-Stamp to enter Idle mode (700 μA typ); the CTS# pin is driven Low and the V-Stamp will be able to accept input again. If the V-Stamp entered standby due to a Sleep Timer event, driving STBY# Low for 250 ns or longer then High will return the V-Stamp to Idle mode. STBY# is also used to restore the V-Stamp to its factory default settings. To prevent this from happening unintentionally, make sure that STBY# is High no later than 0.5 sec after RES# goes High. See <i>Appendix B: Restore Mode</i> in the <i>DoubleTalk RC8660 User's Manual</i> for additional information. Connect this pin to a High level if not used.
RES#	INPUT	RESET: A Low immediately terminates all activity and sets all pins to a predetermined state. During power-up, RES# must be held Low a minimum of 1 ms after V _{CC} has stabilized in the proper voltage range. All pins will be valid within 2 ms after reset.

Table 1. Pin Descriptions

Pin Name	Type	Name and Function
V _{CC}		DIGITAL POWER: +5 V ±0.5 V or +3.3 V ±0.3 V digital subsystem power supply connection.
V _{PA}		AUDIO POWER: Power supply connection for the audio subsystem. Connect this pin to a supply voltage between +3.0 V and +5.5 V (+5 V recommended in order to achieve maximum power output). If the audio subsystem is not used (output is taken from the LINE pin instead of the SP pins), this pin may be left unconnected.
V _{SS}		GROUND: Connect to system ground.

Table 1. Pin Descriptions (Continued)

FUNCTIONAL DESCRIPTION

The V-Stamp includes a number of features that make it ideally suited for any design requiring voice output. The V-Stamp's major features are described below. For detailed information about using and programming the V-Stamp, refer to the *DoubleTalk RC8660 Chipset User's Manual*.

Text-to-Speech Synthesizer

The V-Stamp provides text-to-speech conversion with its integrated DoubleTalk™ text-to-speech synthesizer. Any English text written to the V-Stamp is automatically converted into speech. Commands can be embedded in the input stream to dynamically control the voice, even at the phoneme level (phonemes are the basic sound units of speech).

A greeting message can be stored in the V-Stamp that is automatically spoken immediately after the V-Stamp is reset. Most any of the commands recognized by the V-Stamp may be included as part of the greeting message, which can be used to set up custom default settings and/or play a pre-recorded message or tone sequence. An integrated nonvolatile memory area is also provided for storing a custom pronunciation dictionary, allowing the pronunciation of any character string to be redefined.

Audio Recording and Playback

Up to 33 minutes of recorded messages and sound files can be stored in the V-Stamp for on-demand playback. Recordings are stored in onboard nonvolatile memory, providing zero-power message storage. Additionally, the V-Stamp can play eight-bit PCM and ADPCM audio in real time, such as speech and/or sound effects stored in an external memory or file system.

Musical Tone Generator

An integrated, three-voice musical tone generator is capable of generating up to three tones simultaneously over a four-octave range. Simple tones to attention-getting sounds can be easily created.

Touch-Tone Generator

The V-Stamp includes an integrated DTMF (Touch-Tone) generator. This is useful in telephony applications where standard DTMF tones are used to signal a remote receiver, modem, or access the public switched telephone network.

Sinusoidal Tone Generator

A precision, dual sinusoidal tone generator can synthesize the tones often used in signaling applications. The tone frequencies can be independently set, allowing signals such as call-progress tones to be generated.

Analog-to-Digital Converter

The four channel, 8-bit A/D converter can be used to monitor battery cell voltages, temperature, and other analog quantities. The ADC can be programmed on the fly to convert any single channel, or scan up to four channels repetitively. Data logging and audio recording to the V-Stamp's recording memory are also possible through the ADC.

Audio Subsystem

The V-Stamp includes an audio subsystem, comprised of a low-pass filter and audio power amplifier. This subsystem operates independently of the V-Stamp's digital subsystem; a separate power pin, V_{PA}, powers the audio circuits and can be connected to a supply voltage that is different than V_{CC}. For example, V_{CC} can be connected to 3.3 V to minimize digital power drain, and V_{PA} connected to 5 V in order to achieve maximum power output.

External audio sources can also be filtered and amplified through the V-Stamp's audio system by injecting them into the LINE pin through a series resistor. If the audio subsystem is not required in an application (output is taken from the LINE pin instead of the SP pins), V_{PA} may be left unconnected to further minimize power consumption. The MUTE# pin may also be used to effectively shut down the audio subsystem when not in use.

INTERFACING THE V-STAMP

All communication with the V-Stamp is performed via the built-in asynchronous serial interface. The serial interface operates with 8 data bits (LSB first), 1 or more stop bits, no parity, and any standard baud rate between 300 and 115200 bps. Most modern microcontrollers have at least one UART that can be used to connect to the V-Stamp.

A typical microcontroller interface circuit is shown in Figure 1. The circuit includes an external programming port, which allows the V-Stamp to be programmed in-circuit. Data files and firmware updates can be downloaded from a PC to the V-Stamp through this port. Note that an external RS-232 transceiver chip will generally be required, in order to convert the PC's RS-232 voltage levels to the V-Stamp's logic levels.

The CTS# pin should be used to control the flow of data to the V-Stamp. It is not necessary to check CTS# before transmitting every byte, however. All data is routed through a high speed 16-byte buffer within the V-Stamp before being stored in the primary buffer. *CTS# may be checked every eight bytes with no risk of data loss.*

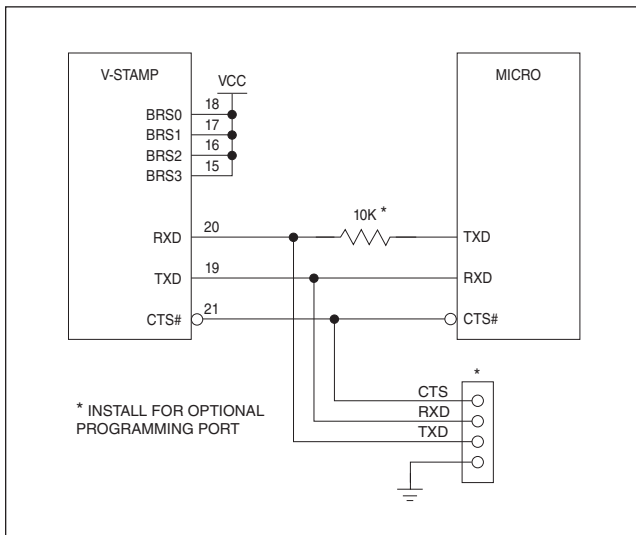


Figure 1. Serial Interface

Baud Rate Selection

The serial port's baud rate can be programmed using any of three methods: pin strapping, auto-detect, and by command. **Pin strapping** sets the baud rate according to the logic levels present on the BRS0–BRS3 pins, as shown in Table 2. **Auto-detect** enables the serial port to automatically detect the baud rate of the incoming data. The baud rate **command** (described in the *DoubleTalk RC8660 Chipset User's Manual*) allows the baud rate to be changed at any time, effectively overriding the first two methods.

BRS3	BRS2	BRS1	BRS0	Baud Rate
L	L	L	L	300
L	L	L	H	600
L	L	H	L	1200
L	L	H	H	2400
L	H	L	L	4800
L	H	L	H	9600
L	H	H	L	19200
L	H	H	H	Auto-detect
H	L	L	L	38400
H	L	L	H	57600
H	L	H	L	115200
All other settings				Auto-detect

Table 2. Baud Rate Options

The automatic baud rate detection mechanism is enabled when the BRS0–BRS3 pins are all at a High logic level. The baud rate is determined by the shortest High or Low period detected in the input stream. This period is assumed to be the bit rate of the incoming data; therefore, it is important that there be at least one isolated "1" or "0" in the input character. The CR character, 0Dh, is recommended for locking the baud rate. The character is not otherwise processed by the V-Stamp; it is discarded.

If the measured bit period is determined to be a valid baud rate, the V-Stamp will acknowledge lock acquisition by transmitting the ASCII character "I" (6Ch) on the TXD pin. (Note that nothing will be transmitted if the baud rate has been programmed for a fixed rate.) The baud rate will remain locked unless changed with the baud rate command, or the V-Stamp is reset.

NOTE The measurement cycle ends when there have been no High-to-Low nor Low-to-High transitions on the RXD pin for 75 ms or longer. Consequently, the V-Stamp will ignore any data sent to it for a period of 75 ms after the "lock-on" character has been received. The CTS# pin is driven High during this time, and the acknowledgment character is not transmitted until the V-Stamp is actually ready to accept data. See Figure 2.

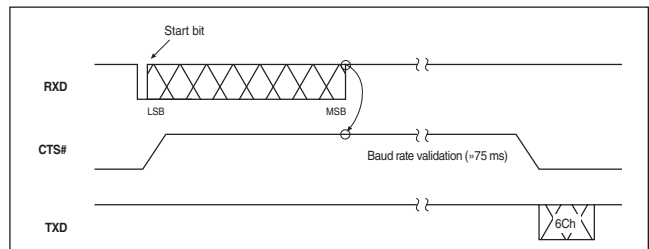


Figure 2. Baud Rate Detection Timing

Audio Subsystem

The V-Stamp's audio subsystem can directly drive an 8 ohm speaker with up to one watt of output power at $V_{PA} = 5$ V. If less power is needed, the V_{PA} pin can be connected to a lower voltage, such as 3.3 V, which will reduce power consumption. Note, however, that the power amplifier has been optimized for operation at $V_{PA} = 5$ V. When operating at voltages lower than this, it is recommended that the V-Stamp's software-controlled volume level (*rV* command) be maintained at lower settings in order to avoid distortion in the power amplifier—which can dramatically increase power dissipation and power consumption.

The speaker output pins are designed to drive a load differentially. The benefits of this design compared with a single-ended (ground-referenced) design are many, the most significant being up to four times greater power output for a given supply voltage, reduced amplifier power dissipation (higher efficiency), better rejection of power supply noise, and the elimination of a large DC blocking capacitor on the output.

Do not attempt to connect a ground-referenced load to either SP pin directly. Each pin has a DC bias component of $V_{PA}/2$ V, which would result in a high DC current flowing through the load, possibly damaging the load and/or power amplifier. Instead, connect the load through a DC blocking capacitor. A minimum value of 100 μ F is recommended for 8 ohm loads.

External audio sources may also be filtered and amplified through the V-Stamp's audio subsystem by injecting them into the LINE pin via a series resistor. The total of the resistor and external signal's source impedance should be at least several k Ω in order to avoid loading the V-Stamp's signal excessively, and the signal amplitude must be limited to between 0 V and V_{CC} .

Power supply consumption can be minimized when the V-Stamp is not in use by shutting down the audio subsystem with the MUTE# pin. MUTE# can be connected to a microcontroller's I/O port pin for direct control by the application, or it can be connected to the V-Stamp's TS pin. Connection to the TS pin offers the greatest flex-

ibility, because the pin can be controlled through the V-Stamp's serial port using the RC8660's TS Pin Control (*rK*) command. With the TS pin's default setting (1K), the pin will automatically activate the audio subsystem when required, and shut it down when it is no longer needed. Applications that require manual control of the audio subsystem can activate and deactivate it with the RC8660 "3K" and "2K" commands, respectively.

A/D Converter

The V-Stamp's onboard ADC has the following features:

- Four channels, 8-bit resolution (± 2 LSB precision)
- One-shot, continuous, single sweep, and continuous sweep modes of operation
- Support for external amplification/signal conditioning of all four ADC channels

In most applications, analog voltages to be converted by the ADC may be connected directly to the AN0–AN3 input pins. The minimum and maximum input voltage limits must be observed, however; in many cases this can be accomplished with a simple resistive divider. Because the CMOS ADC input pin impedances are extremely high, the error introduced by a resistive divider is minimal. It is also good design practice to include a small capacitor from the AN pin to ground as a precautionary measure against noise that may be present on the signal being measured.

Applications using the ADC for voice recording will require a microphone and preamplifier. The circuit shown in Figure 3 is suitable for this purpose, as it offers high gain, low cost, and low power consumption (less than 330 μ A typ at supply voltages of 3.3 V to 5 V). In addition, the circuit provides low-pass filtering to prevent undesired frequencies from reaching the ADC. This circuit should work well with most any electret condenser microphone.

Please refer to the *DoubleTalk RC8660 Chipset User's Manual* for information on programming and using the ADC, as well as how to record to the RC8660's recording memory.

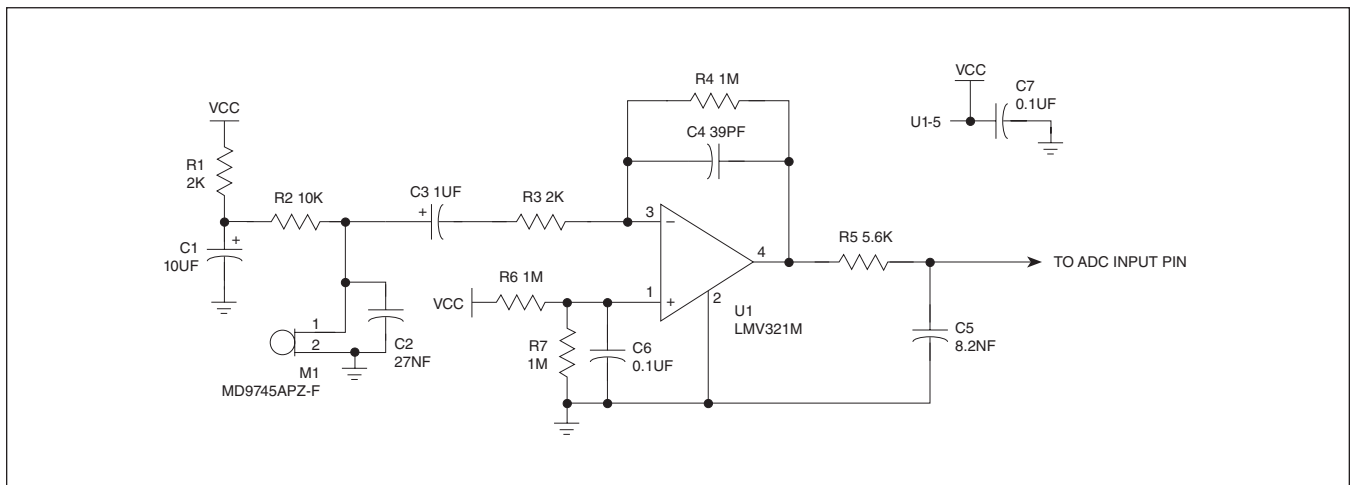


Figure 3. Microphone Preamp & Filter Circuit

ELECTRICAL SPECIFICATIONS

ABSOLUTE MAXIMUM RATINGS*

Supply voltage, V_{CC}
 3.3 V devices -0.3 V to +4.0 V
 5 V devices -0.3 V to +6.5 V
 Supply voltage, V_{PA} -0.3 V to +6.0 V
 DC input voltage, V_I -0.3 V to $V_{CC} + 0.3$ V
 Operating temperature, T_A 0 °C to +70 °C

Storage temperature, T_S -55 °C to +125 °C

** WARNING: Stresses greater than those listed under "Absolute Maximum Ratings" may cause permanent damage to the device. This is a stress rating only; operation of the device at any condition above those indicated in the operational sections of these specifications is not implied. Exposure to absolute maximum rating conditions for extended periods may affect device reliability.*

DC CHARACTERISTICS

$T_A = 0$ °C to +70 °C, $V_{CC} = 3.3$ V / 5 V, $V_{PA} = 3.3$ V / 5 V, $V_{SS} = 0$ V

Digital Subsystem

Symbol	Parameter	$V_{CC} = 3.3 \text{ V} \pm 0.3 \text{ V}$			$V_{CC} = 5 \text{ V} \pm 0.5 \text{ V}$			Unit	Test Conditions
		Min	Typ	Max	Min	Typ	Max		
V_{IL}	Input Voltage, Low	-0.3		$0.2V_{CC}$	-0.3		$0.2V_{CC}$	V	
V_{IH}	Input Voltage, High	$0.7V_{CC}$		$V_{CC} + 0.3$	$0.7V_{CC}$		$V_{CC} + 0.3$	V	
V_{IA}	Analog Input Voltage (ANO-3)	-0.3		V_{CC}	-0.3		V_{CC}	V	
V_{HYR}	Input Hysteresis, RES#	0.2		1.8	0.2		1.8	V	
V_{OL}	Output Voltage, Low			0.5			0.5	V	$I_{OL} = 1 \text{ mA}$
V_{OH}	Output Voltage, High	$V_{CC} - 0.5$			$V_{CC} - 0.5$			V	$I_{OH} = -1 \text{ mA}$
I_{IL}	Input Load Current			± 4			± 5	μA	$V_{IN} = V_{SS}$ to V_{CC}
R_O	LINE Output Resistance	4	10	20	4	10	20	k Ω	
I_{CC}	Supply Current								
	Active		3.8	14		7	22	mA	All outputs open; all inputs = V_{CC} or V_{SS}
	Idle		0.7	1.5		1.2	2.5	mA	
	Standby		0.7	15		0.8	20	μA	
Program (Note 1)			30			40	mA		

¹ Applies during internal programming operations: greeting message, dictionary, recording memory and microcode updates.

Audio Subsystem

Symbol	Parameter	$V_{PA} = 3.3 \text{ V nom}$			$V_{PA} = 5 \text{ V nom}$			Unit	Test Conditions
		Min	Typ	Max	Min	Typ	Max		
V_{IL}	MUTE# Input Voltage, Low			0.4			0.4	V	
V_{IH}	MUTE# Input Voltage, High	1.2			1.2			V	
V_{OS}	SP Output Offset Voltage		5	50		5	50	mV	
P_O	SP Output Power (THD < 1%)	0.5			1.1			W	$R_L = 8 \Omega$ f = 1 kHz
I_{PA}	Supply Current								
	$P_O = 1.1 \text{ W}$					330		mA	$R_L = 8 \Omega$
	$P_O = 0.5 \text{ W}$		240					mA	$R_L = 8 \Omega$
	$P_O = 0 \text{ W}$		4	8		5	10	mA	$R_L = \infty$
	Shutdown		0.01	2		0.01	2	μA	MUTE# = V_{SS}

V_{PA} may be left unconnected if the output is taken from the LINE pin instead of the SP pins. It is permissible for V_{PA} to be at a different voltage level than V_{CC} .

AC CHARACTERISTICS

$T_A = 0\text{ }^\circ\text{C}$ to $+70\text{ }^\circ\text{C}$, $V_{CC} = 3.3\text{ V} / 5\text{ V}$, $V_{SS} = 0\text{ V}$

Standby Timing

Symbol	Parameter	$V_{CC} = 3.3 \pm 0.3\text{ V}$		$V_{CC} = 5\text{ V} \pm 0.5\text{ V}$		Unit
		Min	Max	Min	Max	
t_{WSBL}	STBY# pulse width Low					ms
	To enter Standby mode To exit Standby mode (Sleep Timer invoked; Note 1)	5 380		5 250		ns

¹ Monitor the CTS# pin to determine when Standby mode has terminated.

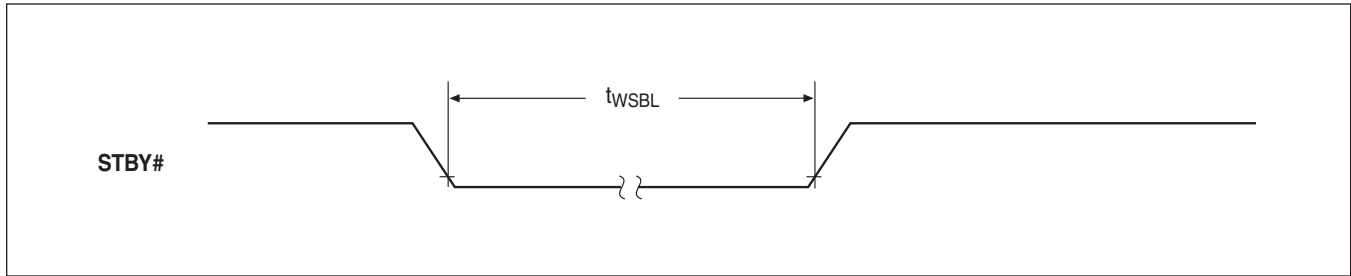


Figure 4. Standby Waveform

Reset Timing

Symbol	Parameter	Min	Max	Unit	Notes
t_{WRS}	RES# pulse width Low				Hold RES# Low during power-up. STBY# must be High no later than 0.5 sec after RES# goes High.
	After power on / V_{CC} stable	1		ms	
	During operation	3		μs	
t_{DRR}	RES# recovery delay		2	ms	V-Stamp performs internal initialization; all outputs will be floating. Do not attempt to send data to the V-Stamp during this period.

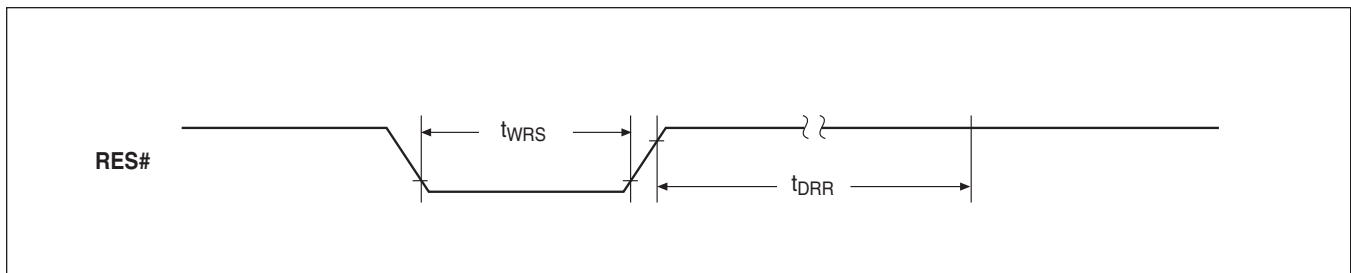
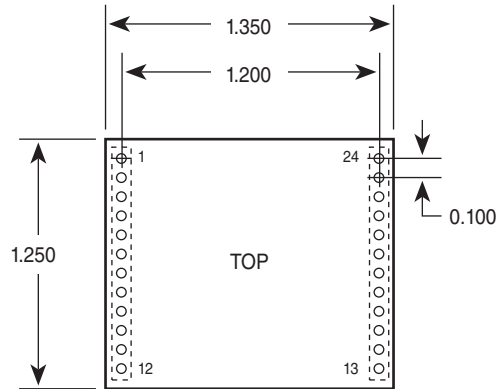


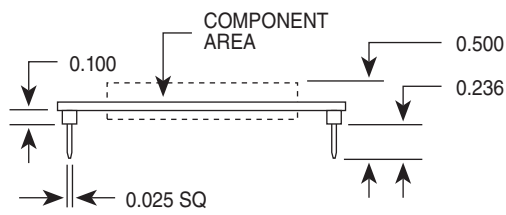
Figure 5. Reset Waveform

MECHANICAL DATA



ALL DIMENSIONS
IN INCHES

COMPATIBLE MATING CONNECTORS:
OUPIIN 2044-1X12GS (STD-PROFILE)
MOLEX 90147-1212 (STD-PROFILE)
MOLEX 44812-0030 (LOW-PROFILE)



APPENDIX A: REVISION HISTORY

REVISION 01 (APRIL 18, 2007)

Updated DC power specifications. Added 33-minute recording time option to product offerings.

Specifications

Changed I_{CC} supply current spec in DC Characteristics. Active current has been reduced by approximately 40%.

Ordering Information

VS3950 added to Product Summary table.

REVISION 02 (JUNE 27, 2008)

Updated to reflect new Restore mode.

Specifications

Updated STBY# pin description in Table 1.

REVISION 03 (JANUARY 21, 2009)

Updated to reflect new method of controlling the dataflow of uploads from recording memory.

Specifications

Updated SUSP# pin description in Table 1.

Specifications written in this publication are believed to be accurate, but are not guaranteed to be entirely free of error. RC Systems reserves the right to make changes in the devices or the device specifications described in this publication without notice. RC Systems advises its customers to obtain the latest version of device specifications to verify, before placing orders, that the information being relied upon by the customer is current.

In the absence of written agreement to the contrary, RC Systems assumes no liability relating to the sale and/or use of RC Systems products including fitness for a particular purpose, merchantability, for RC Systems applications assistance, customer's product design, or infringement of patents or copyrights of third parties by or arising from use of devices described herein. Nor does RC Systems warrant or represent that any license, either express or implied, is granted under any patent right, copyright, or other intellectual property right of RC Systems covering or relating to any combination, machine, or process in which such devices might be or are used. RC Systems products are not intended for use in medical, life saving, or life sustaining applications.

Applications described in this publication are for illustrative purposes only, and RC Systems makes no warranties or representations that the devices described herein will be suitable for such applications.



1609 England Avenue, Everett, WA 98203
Phone: (425) 355-3800 Fax: (425) 355-1098
www.rcsys.com