



CCB LC72715PLG

CMOS IC

Mobile FM Multiplex Broadcast IC with On-Chip VICS Decoder for Mini Component, receiver

ON Semiconductor®

<http://onsemi.com>

Overview

The LC72715PLG is a data demodulation LSI for receiving FM multiplex broadcasts for mobile reception in the DARC format. This LSI includes an on-chip bandpass filter for extracting the DARC signal from the FM baseband signal. It also integrates a decoder that performs the VICS data processing on the same chip and can implement a compact, multifunction VICS reception system. LC72715PLG is control-compatible with LC72714W and LC72710LW.

(Description of dGPS reception function has been deleted, because the dGPS service finished at the end of March 2008). Note that a contract with the VICS Center is required to evaluate this LSI's sample and to produce VICS compatible products. It also requires a contract with the NHK Engineering Service to produce VICS compatible products.

Functions

- Adjustment-free 76kHz SCF bandpass filter
- Built-in VICS decoder
- MSK delay detection system based on a 1T delay.
- Error correction function based on a 2T delay (in the MSK detection stage)
- Digital PLL based clock regeneration function
- Shift-register 1T and 2T delay circuits
- Block and frame synchronization detection circuits
- Functions for setting the number of allowable BIC errors and the number of synchronization protection operations.
- Error correction using (272, 190) codes
- Built-in layer 4 CRC code checking circuit
- On-chip frame memory and memory control circuit for vertical correction
- 7.2MHz crystal oscillator circuit
- Two power saving modes: STNBY and EC STOP
- Applications can use either a parallel CPU interface (DMA) or a CCB serial interface.
- Supply voltage: 2.7V to 3.6V

- CCB is ON Semiconductor®'s original format. All addresses are managed by ON Semiconductor® for this format.

- CCB is a registered trademark of Semiconductor Components Industries, LLC.

LC72715PLG

Specifications

Absolute Maximum Ratings at $T_a = 25^\circ\text{C}$, $V_{SS} = 0\text{V}$

Parameter	Symbol	Conditions	Ratings	Unit
Maximum supply voltage	V_{DD}		-0.3 to +4.0	V
Input voltage	V_{IN1}	A0/CL, A1/CE, A2/DI, RST, STNBY (V_{DD} is equal to 2.7V or more.)	-0.3 to +5.6	V
		A0/CL, A1/CE, A2/DI, RST, STNBY (V_{DD} is less than 2.7V.)	-0.3 to $V_{DD}+0.3$	V
	V_{IN2}	Input pin other than V_{IN1}	-0.3 to $V_{DD}+0.3$	V
Output voltage	V_{OUT}	Output pin	-0.3 to $V_{DD}+0.3$	V
Output current	I_{OUT1}	INT, RDY, DREQ, D0 to D15, $\overline{D0}$	0 to 2.0	mA
	I_{OUT2}	Output pin other than I_{OUT1}	0 to 1.0	mA
Allowable output current (total)	ITTL	Total for all the output pins	10	mA
Allowable power dissipation	Pd max		100	mW
Operating temperature	Topr	$T_a \leq 85^\circ\text{C}$	-40 to +85	$^\circ\text{C}$
Storage temperature	Tstg		-55 to +125	$^\circ\text{C}$

Stresses exceeding Maximum Ratings may damage the device. Maximum Ratings are stress ratings only. Functional operation above the Recommended Operating Conditions is not implied. Extended exposure to stresses above the Recommended Operating Conditions may affect device reliability.

Allowable Operating Ranges at $T_a = -40^\circ\text{C}$ to $+85^\circ\text{C}$, $V_{SS} = 0\text{V}$

Parameter	Symbol	Pin Name	Type	Conditions	Ratings			unit
					min	typ	max	
Supply voltage	V_{DD}				2.7		3.6	V
Input high-level voltage	V_{IH1}	A0/CL, A1/CE, A2/DI, RST, STNBY	Schmitt		$0.7V_{DD}$		5.5	V
	V_{IH2}	IOCNT1, IOCNT2, DACK D0, D1, D2, D3, D4, D5, D6, D7 WR, RD, A3, CS	Schmitt		$0.7V_{DD}$		V_{DD}	V
	V_{IH3}	SP, BUSWD, TIN, TPC1, TPC2, TOSEL1, TOSEL2			$0.7V_{DD}$		V_{DD}	V
Input low-level voltage	V_{IL1}	A0/CL, A1/CE, A2/DI, RST, STNBY	Schmitt		0.0		$0.3V_{DD}$	V
	V_{IL2}	IOCNT1, IOCNT2, DACK D0, D1, D2, D3, D4, D5, D6, D7 WR, RD, A3, CS	Schmitt		0.0		$0.3V_{DD}$	V
	V_{IL3}	SP, BUSWD, TIN, TPC1, TPC2, TOSEL1, TOSEL2			0.0		$0.3V_{DD}$	V
Oscillation frequency	FOSC	XIN, XOUT	Oscillation circuit	Within $\pm 250\text{ppm}$		7.2		MHz
XIN input sensitivity	VXI	XIN		Capacitive coupling	400			mVrms
Input amplitude	VMPX1	MPXIN	SCF	100% demodulation composite $V_{DD}=3.3\text{V}$	120		500	mVrms
	VMPX2	MPXIN	SCF	100% demodulation composite $V_{DD}=2.7\text{V}$	120		450	mVrms

LC72715PLG

Electrical Characteristics at Ta = -40°C to +85°C, V_{DD} = 2.7V to 3.6V, V_{SS} = 0V

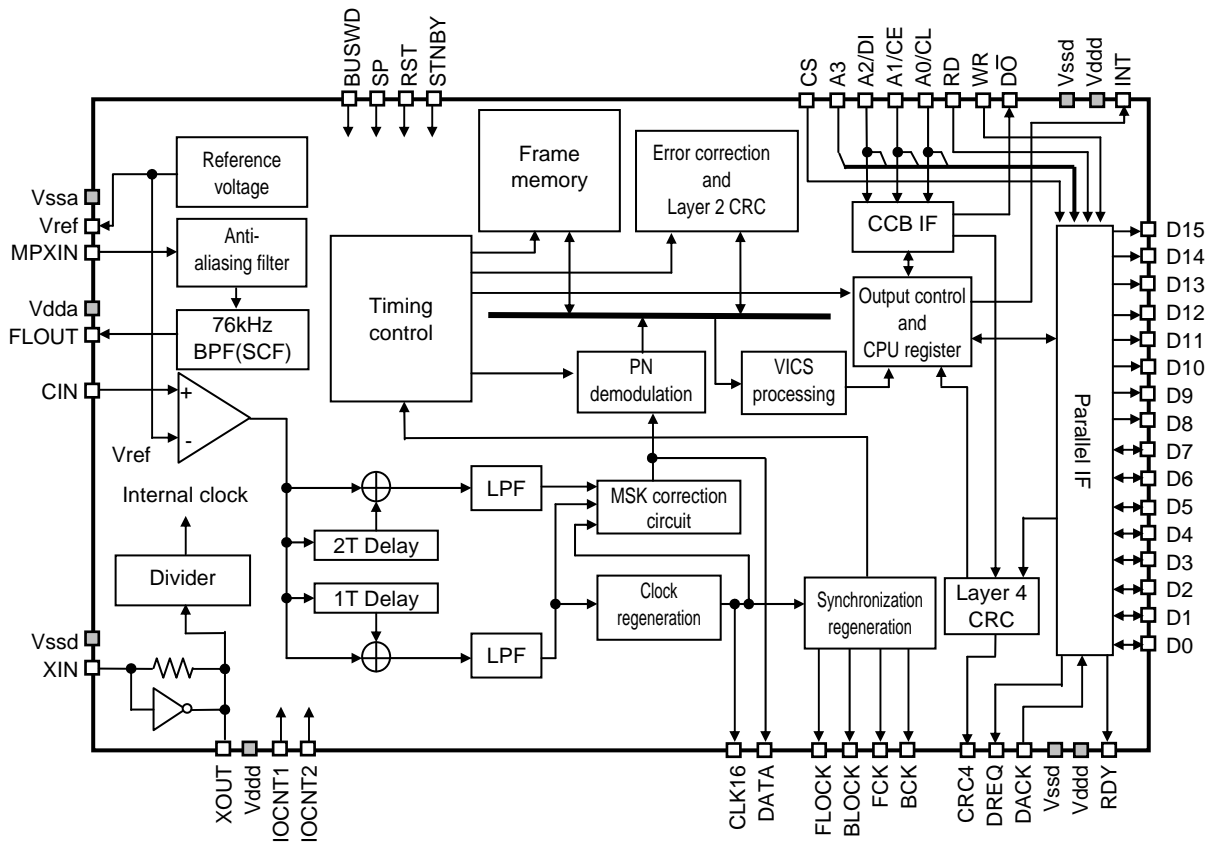
Parameter	Symbol	Pin Name	Type	Conditions	Ratings			unit
					min	typ	max	
Input high-level current	I _{IH1}	A0/CL, A1/CE, A2/DI, RST, STNBY	Schmitt				1.0	μA
	I _{IH2}	IOCNT1, IOCNT2, DACK D0, D1, D2, D3, D4, D5, D6, D7 WR, RD, A3, CS	Schmitt				1.0	μA
	I _{IH3}	SP, BUSWD, TIN, TPC1, TPC2, TOSEL1, TOSEL2					1.0	μA
Input low-level current	I _{IL1}	A0/CL, A1/CE, A2/DI, RST, STNBY	Schmitt		-1.0			μA
	I _{IL2}	IOCNT1, IOCNT2, DACK D0, D1, D2, D3, D4, D5, D6, D7 WR, RD, A3, CS	Schmitt		-1.0			μA
	I _{IL3}	SP, BUSWD, TIN, TPC1, TPC2, TOSEL1, TOSEL2			-1.0			μA
Output high-level voltage	V _{OH1}	CLK16, DATA, FLOCK, BLOCK, FCK, BCK, CRC4	CMOS	I _{OH} =-1mA	V _{DD} -0.4			V
	V _{OH2}	DREQ, RDY, D0, D1, D2, D3, D4, D5, D6, D7, D8, D9, D10, D11, D12, D13, D14, D15, INT	CMOS	I _{OH} =-2mA	V _{DD} -0.4			V
Output low-level voltage	V _{OL1}	CLK16, DATA, FLOCK, BLOCK, FCK, BCK, CRC4	CMOS	I _{OL} =1mA			0.4	V
	V _{OL2}	DREQ, RDY, D0, D1, D2, D3, D4, D5, D6, D7, D8, D9, D10, D11, D12, D13, D14, D15, INT	CMOS	I _{OL} =2mA			0.4	V
	V _{OL3}	D ₀	Nch-Open Drain	I _{OL} =2mA			0.4	V
Output leakage current	I _{OFF}	D ₀		V _O =V _{DD}			1.0	μA
Hysteresis voltage	V _{HYS}	A0/CL, A1/CE, A2/DI, RST, STNBY, IOCNT1, IOCNT2, DACK D0, D1, D2, D3, D4, D5, D6, D7 WR, RD, A3, CS				0.1V _{DD}		V
Internal feedback resistance	R _F	XIN, XOUT				1.0		MΩ
Current drain	I _{DD}					6	12	mA

Bandpass Filter Characteristics at Ta = 25°C, V_{DD} = 2.7V to 3.6V, V_{SS} = 0V

Parameter	Symbol	Conditions	Ratings			unit
			min	typ	max	
Input resistance	R _{MPX}			50		kΩ
Reference supply voltage output	V _{REF}	V _{ref} , V _{dda} =3V		1.5		V
BPF center frequency	FC	FLOUT		76.0		kHz
-3dB band width	FBW	FLOUT		19.0		kHz
Group-delay in band width	DGD	FLOUT			±7.5	μs
Gain	Gain	FLOUT-MPXIN, f=76kHz		20		dB
Attenuation characteristic	ATT1	FLOUT, f=50kHz	25			dB
	ATT2	FLOUT, f=100kHz	15			dB
	ATT3	FLOUT, f=30kHz	50			dB
	ATT4	FLOUT, f=150kHz	50			dB

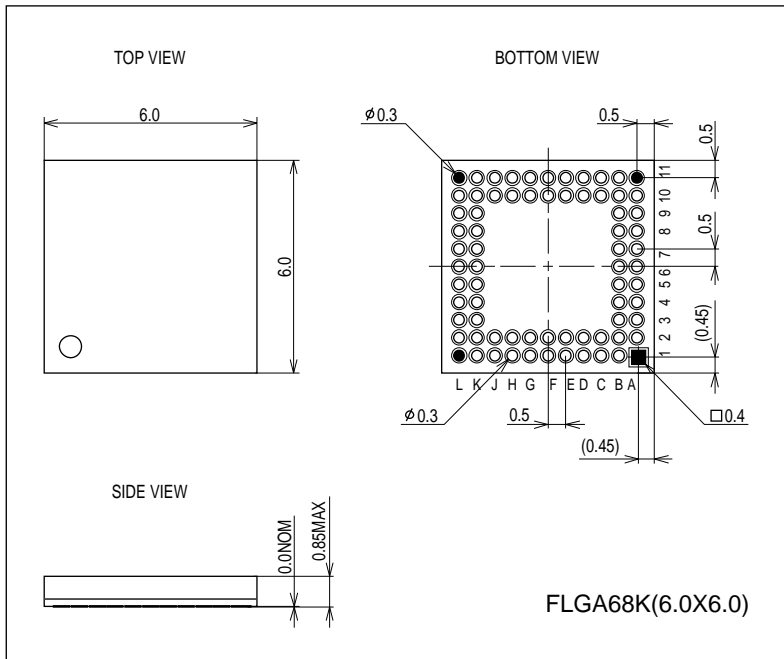
LC72715PLG

Block Diagram



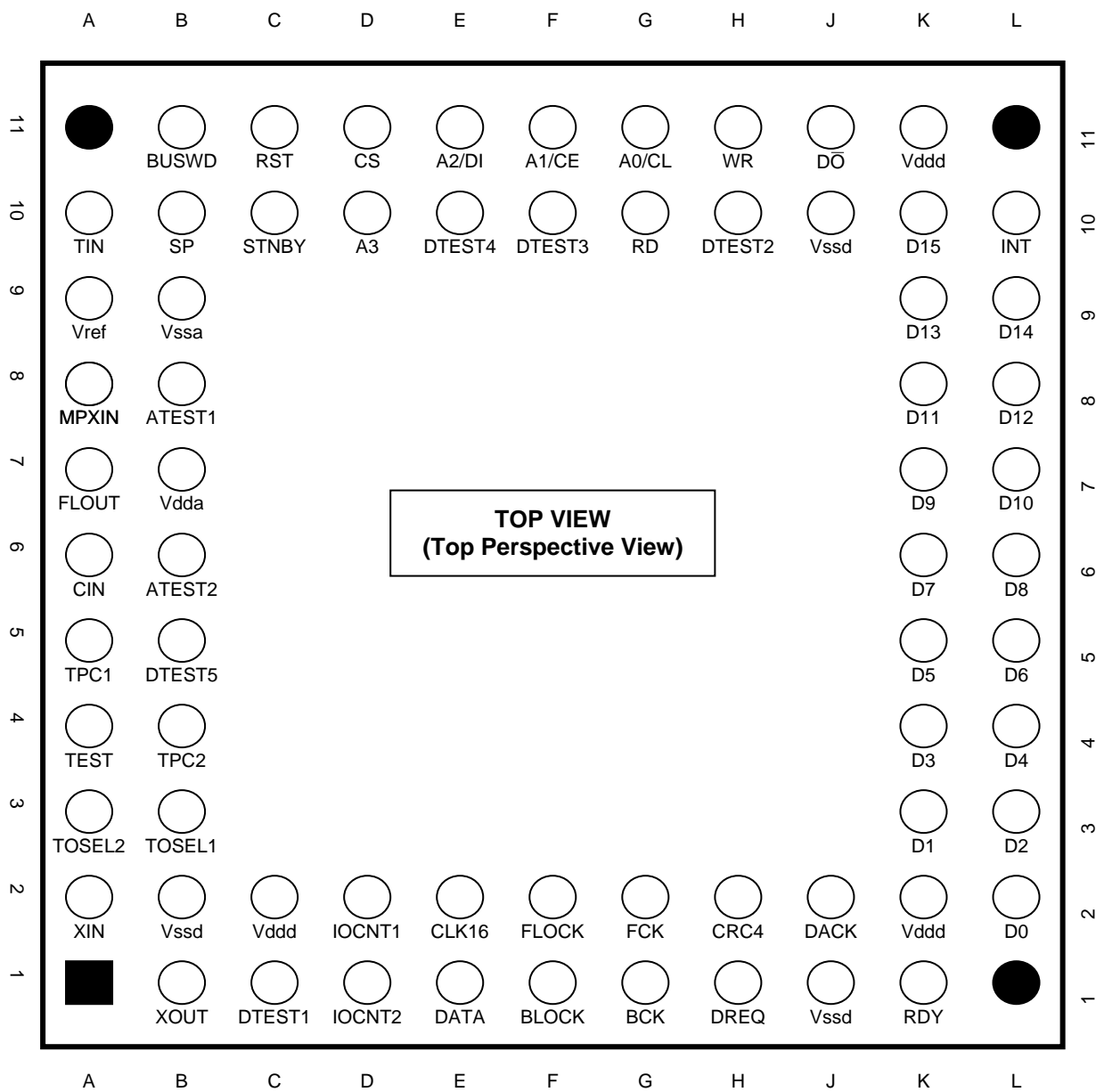
Package Dimensions

unit : mm (typ)
3326



LC72715PLG

Pin Assignment



TOP VIEW
(Top Perspective View)



Package (Top view)

In the above figure, the mark of a circle shows the position of A1 terminal.

LC72715PLG

List of Pin Functions

Pin No.	Name of Pin	IO Form	State with RST="L"	Description of Functions
B1	XOUT	O	Oscillation	Pin for system clock (crystal oscillator)
C2	Vddd	-	-	Digital power pin
C1	DTEST1	I	Input	Digital test 1 pin (This pin must be connected to Vssd.)
D2	IOCNT1	I	Input	Data bus I/O control 1 input pin (Parallel IF) * Connect to Vssd when CCB IF (SP=H) is to be used.
D1	IOCNT2	I	Input	Data bus I/O control 2 input pin (Parallel IF) * Connect to Vssd when CCB IF (SP=H) is to be used.
E2	CLK16	O	L	Clock regeneration monitor pin
E1	DATA	O	L	Demodulation data monitor pin
F2	FLOCK	O	L	Frame synchronization flag output pin (H: synchronized)
F1	BLOCK	O	L	Block synchronization flag output pin (H: synchronized)
G2	FCK	O	L	Frame start signal output pin
G1	BCK	O	L	Block start signal output pin
H2	CRC4	O	H	Layer 4 CRC check result output pin
H1	DREQ	O	H	DMA REQ signal output pin (parallel IF)
J2	DACK	I	Input	DMA ACK signal input pin (parallel IF) * Connect to Vddd when CCB IF (SP=H) is to be used.
J1	Vssd	-	-	Digital GND pin
K2	Vddd	-	-	Digital power pin
K1	RDY	O	H	Read data READY signal output pin (parallel IF)
L2	D0	I/O	Input	Data bus 0 to 7 I/O pins (parallel IF) Bus width switched to 8 bits or 16 bits according to the BUSWD setting * Connect to Vssd when CCB IF (SP=H) is to be used.
K3	D1	I/O	Input	
L3	D2	I/O	Input	
K4	D3	I/O	Input	
L4	D4	I/O	Input	
K5	D5	I/O	Input	
L5	D6	I/O	Input	
K6	D7	I/O	Input	
L6	D8	O	Hi-Z	
K7	D9	O	Hi-Z	
L7	D10	O	Hi-Z	Data bus 8 to 15 output pins (parallel IF) * Output OFF for 8 bit bus width (BUSWD=L)
K8	D11	O	Hi-Z	
L8	D12	O	Hi-Z	
K9	D13	O	Hi-Z	
L9	D14	O	Hi-Z	
K10	D15	O	Hi-Z	
L10	INT	O	H	Interrupt output pin for external CPU
K11	Vddd	-	-	Digital power pin
J10	Vssd	-	-	Digital GND pin
J11	D \bar{O}	O	Hi-Z(H)	D \bar{O} output pin (CCB IF)
H10	DTEST2	I	Input	Digital test 2 pin (This pin must be connected to Vssd.)
H11	WR	I	Input	Write control signal input pin (parallel IF) * Connect to Vddd when CCB IF (SP=H) is to be used.
G10	RD	I	Input	Read control signal input pin (parallel IF) * Connect to Vddd when CCB IF (SP=H) is to be used.
G11	A0/CL	I	Input	CL input pin (CCB IF)/ address input pin 0 (parallel IF)
F10	DTEST3	I	Input	Digital test 3 pin (This pin must be connected to Vssd.)
F11	A1/CE	I	Input	CE input pin (CCB IF)/ address input pin 1 (parallel IF)
E10	DTEST4	I	Input	Digital test 4 pin (This pin must be connected to Vssd.)
E11	A2/DI	I	Input	DI input pin (CCB IF)/ address input pin 2 (parallel IF)
D10	A3	I	Input	Address input pin 3 (parallel IF) * Connect to Vssd when CCB IF (SP=H) is to be used.
D11	CS	I	Input	Chip selector input pin (parallel IF) * Connect to Vddd when CCB IF (SP=H) is to be used.

Continued on next page.

LC72715PLG

Continued from preceding page.

Pin No.	Name of Pin	IO Form	State with RST="L"	Description of Functions
C10	STNBY	I	Input	Standby mode input pin (H: standby)
C11	RST	I	Input	System reset input pin (L: reset)
B10	SP	I	Input	CCB/parallel setting input pin (H: CCB, L: parallel)
B11	BUSWD	I	Input	Data bus width setting input pin (L: 8 bits, H: 16 bits)
A10	TIN	I	Input	Test input pin (This pin must be connected to Vssd.)
B9	Vssa	-	-	Analog GND pin
A9	Vref	AO	Vdda/2	Reference voltage output pin (Vdda/2)
B8	ATEST1	I	Input	Analog test 1 pin (This pin must be connected to Vssa.)
A8	MPXIN	AI	Input	Baseband (multiplex) signal input pin
B7	Vdda	-	-	Analog power pin
A7	FLOUT	AO	Vdda/2	Subcarrier output pin (76kHz BPF output)
B6	ATEST2	I	Input	Analog test 2 pin (This pin must be connected to Vssa.)
A6	CIN	AI	Input	Subcarrier input pin (comparator input)
B5	DTEST5	I	Input	Digital test 5 pin (This pin must be connected to Vssd.)
A5	TPC1	I	Input	Test input pin (This pin must be connected to Vssd.)
B4	TPC2	I	Input	Test input pin (This pin must be connected to Vssd.)
A4	TEST	I	Input	Test mode setting pin (This pin must be connected to Vssd.)
B3	TOSEL1	I	Input	Test input pin (This pin must be connected to Vssd.)
A3	TOSEL2	I	Input	Test input pin (This pin must be connected to Vssd.)
B2	Vssd	-	-	Digital GND pin
A2	XIN	I	Oscillation	System clock pin (crystal oscillator/external clock input)

Internal Equivalent Circuit of Analog Pins

Name of pin Pin number in parentheses	Internal equivalent circuit
MPXIN(53)	
FLOUT(55)	
CIN(56)	
Vref(52)	

CPU Interface <CCB Mode>

CCB (Computer Control Bus), which is the Our original serial bus format for Our company’s acoustic LSIs, performs data input and output.

The CCB address is transmitted with CE= “L”, acknowledging the CCB I/O mode when CE is set to “H”.

(1) List of CCB modes

CCB address									I/O mode	Description
Hexadecimal	B0	B1	B2	B3	A0	A1	A2	A3		
FAh	0	1	0	1	1	1	1	1	Input	16-bit control data input
FBh	1	1	0	1	1	1	1	1	Output	Output of data corresponding to the input clock (CL) portion
FCh	0	0	1	1	1	1	1	1	Input	Layer 4 CRC check circuit data input (on the 8-bit units)
FDh	1	0	1	1	1	1	1	1	Output	Output of the register only

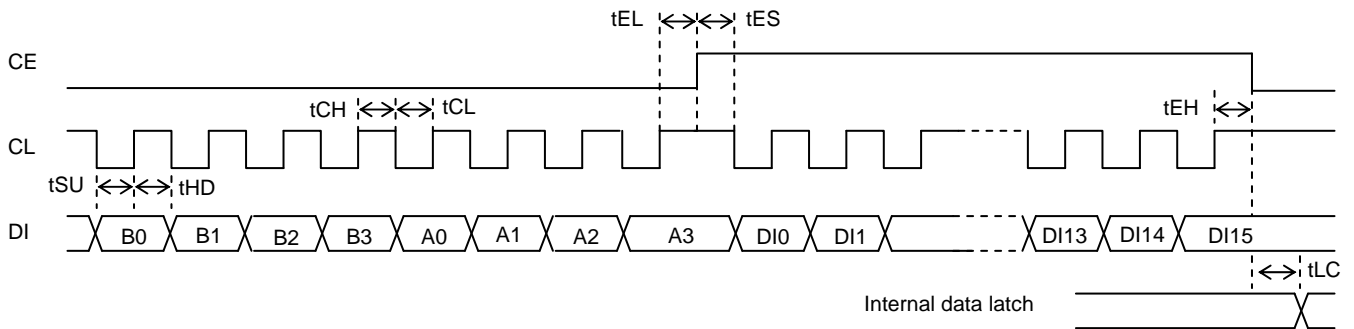
(2) Data input (CCB address FAh)

This is to set data to the LSI internal register. DI input includes both CCB address FAh and 16-bit data (DI0 to DI15) are input.

Assignment of each bit is as shown in the table below. Though DI12 to DI15 are invalid data, it is necessary to enter the arbitrary data so that the total of 16 bits can be obtained. For the contents of each register and register address, refer to the chapter of CPU registers.

(Note that writing into the layer 4 CRC check register will be described later (for the CCB address, use FCh.))

(LSB)				Input data (8-bit)				(MSB)				Register address				Invalid data	
DI0	DI1	DI2	DI3	DI4	DI5	DI6	DI7	DI8	DI9	DI10	DI11	DI12 to DI15					
BIT0	BIT1	BIT2	BIT3	BIT4	BIT5	BIT6	BIT7	BIT0	BIT1	BIT2	BIT3	BIT4 to BIT7					



(3) Output of the corrected data (CCB address FBh)

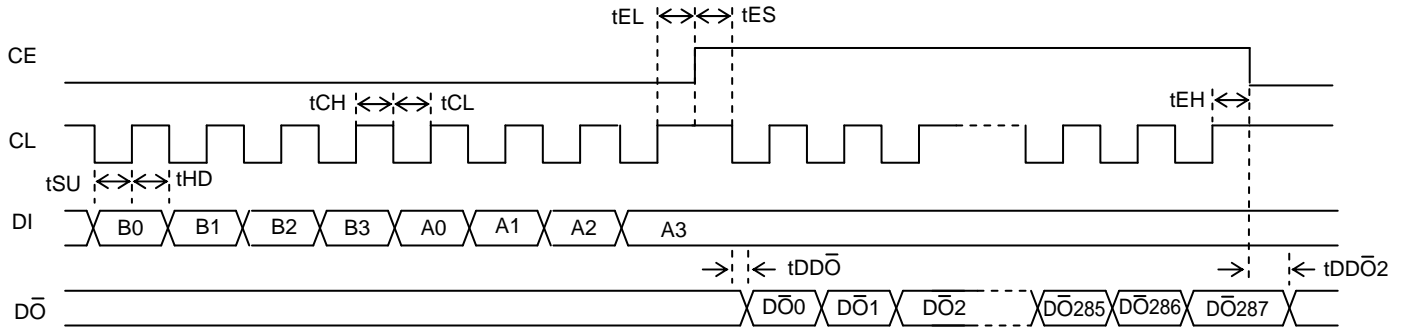
The corrected packet data is output from LSI. The CCB address, FBh, is input in DI.

The valid data to be output is maximum 288 bits. If the clock input (CL input) is interrupted halfway to set CE to the “L” level, data output is not troubled by the next interrupt.

- ①The maximum data to be output is 288 bits (36 bytes) and the leading two bytes, to which the status register (STAT) contents and the block number register (BLNO) contents are added, are output.
- ②STAT and BLNO, which are the register contents outputs, are output respectively with LSB first.
- ③The corrected data is output sequentially beginning with the leading bit in data of one block.
- ④The BIC code is not output.
- ⑤In case of data reading for multiple times by one interrupt signal (INT), the output data is not guaranteed.

STAT (8)	BLNO (8)	Data block (176)	Error-corrected data	Layer 2 CRC (14)	Parity (82)
D \bar{O} 0 to D \bar{O} 7	D \bar{O} 8 to D \bar{O} 15	D \bar{O} 16 to D \bar{O} 191	D \bar{O} 192 to D \bar{O} 205	D \bar{O} 206 to D \bar{O} 287	

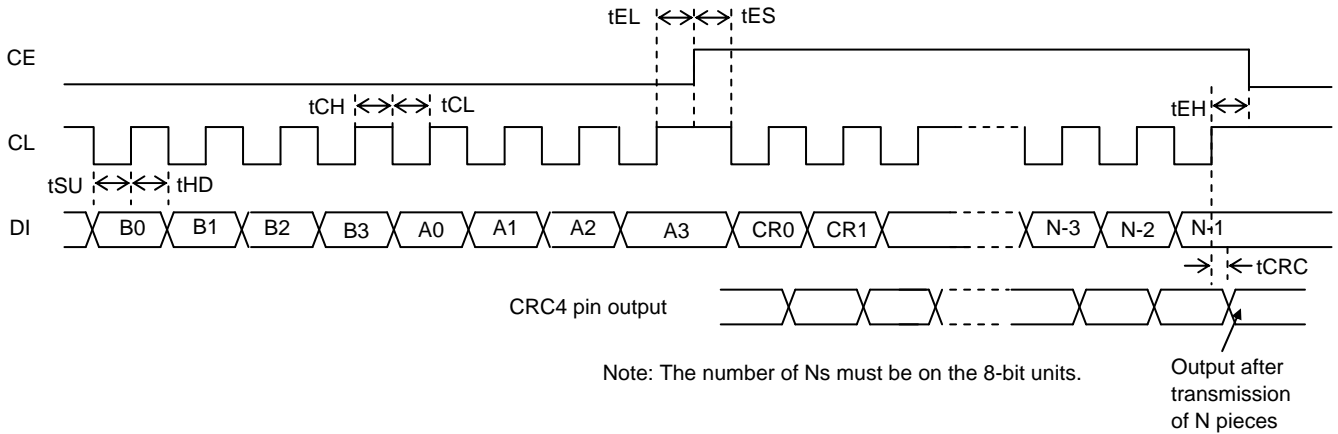
LC72715PLG



(4) Layer 4 CRC check circuit (CCB address FCh)

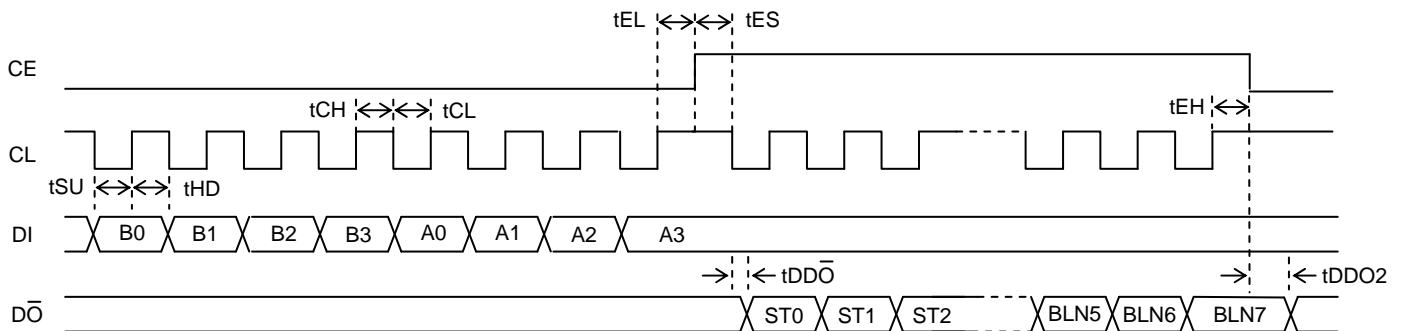
This is a function to detect the error in the data group (Layer 4 CRC), transmitting the data group of specified number of bytes, via the CCB interface, to LSI. The CCB address is FCh. In this case, it is not necessary to send register address.

The length of data group to be transmitted is on the 8-bit units. Here is not any upper limit (such as N pieces in the figure below) for the length of data to be transmitted at a time and data transmission can be divided into multiple times.



(5) Register output (CCB address FDh)

This is the dedicated register that can read only the status register (STAT) and block number register (BLNO) in LSI. To DI, the CCB address (FDh) is input. Data is output in order of the status register and the block number register.



LC72715PLG

Symbol	Parameter	min	typ	max	unit
tCL	Clock "L" level time	0.7			μs
tCH	Clock "H" level time	0.7			μs
tSU	Data setup time	0.7			μs
tHD	Data hold time	0.7			μs
tEL	CE wait time	0.7			μs
tES	CE setup time	0.7			μs
tEH	CE hold time	0.7			μs
tLC	Data latch change time			0.7	μs
tDDO *1	D \bar{O} data output time	277		555	ns
tDDO2	D \bar{O} data output off time	140			ns
tCRC	CRC4 change period			0.7	μs

*1 D \bar{O} data output change time from the "H" level to the "L" level. Output change time from the "L" level to the "H" level is determined by the external pull-up resistance value and load capacitance value.

CPU Interface <Parallel Mode>

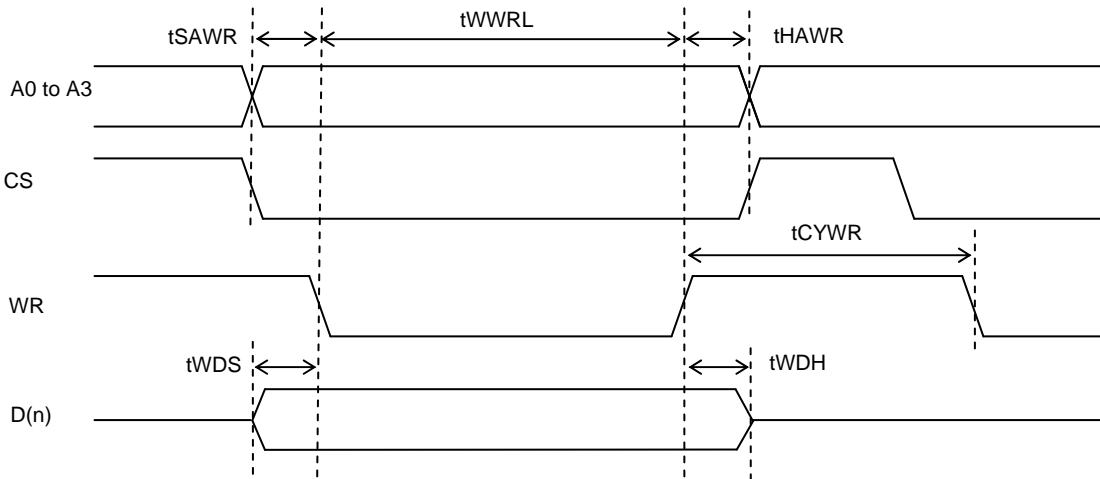
This LSI can perform control via the parallel interface, in addition to the CCB interface. To use the parallel interface, it is necessary to set the SP pin = L. The data bus width can be selected with the BUSWD pin. (BUSWD pin - L: 8 bits, H: 16 bits)

The DMA transmission method can also be selected according to the setting of control register.

(1) Data input (register setting)

Data is set to the register in LSI. For accessing, input the register address to A0 to A3 pins and the write data to the D(n) pin.

Set the CS pin = L, and then the WR pin = L. Subsequently, by setting the WR pin = H and the CS pin = H after the tWWRL period, the data can be set to the register. It is necessary to keep an interval of tCYWR or more before the next data input.

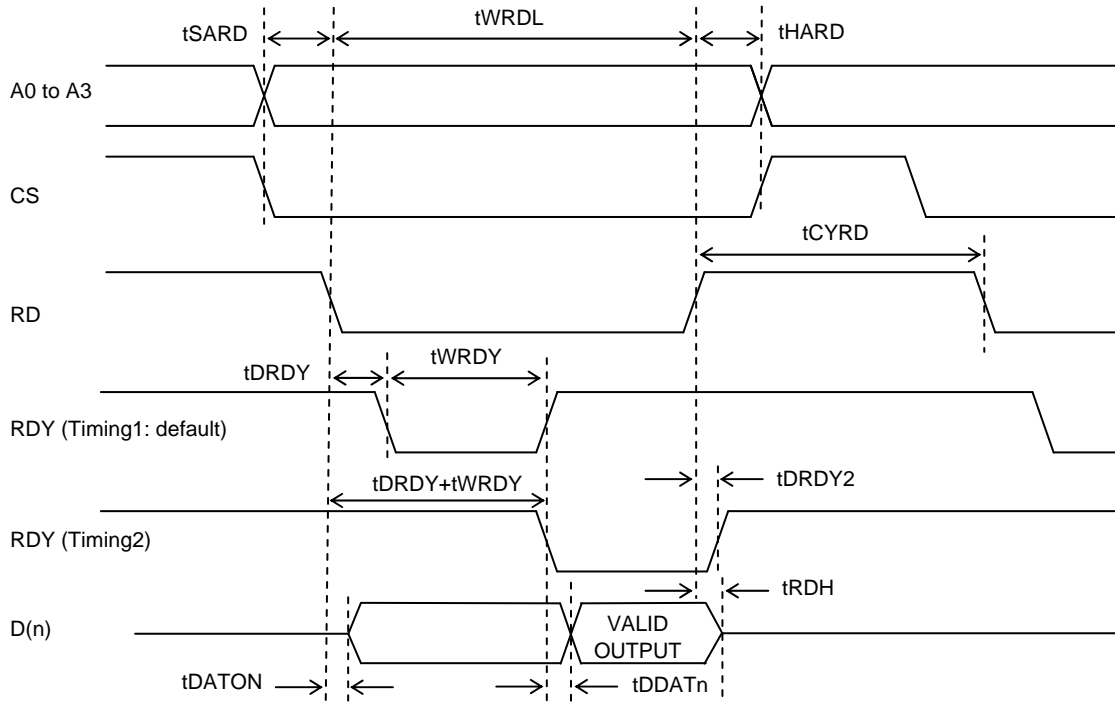


(2) Register output

This is to read data from the register in LSI. Only the status register (STAT) and block number register (BLNO) in LSI can be read.

For accessing, input the register address in A0 to A3, set the CS pin = L, and then the RD pin = L. This causes the RDY pin to change from “H” to “L”. Then, data is output from the D(n) pin after the RDY pin becomes “H”. It is necessary to keep an interval of tCYRD or more before the next data output. (n: 0-7 for BUSWD=L and 0 – 15 for BUSWD=H.)

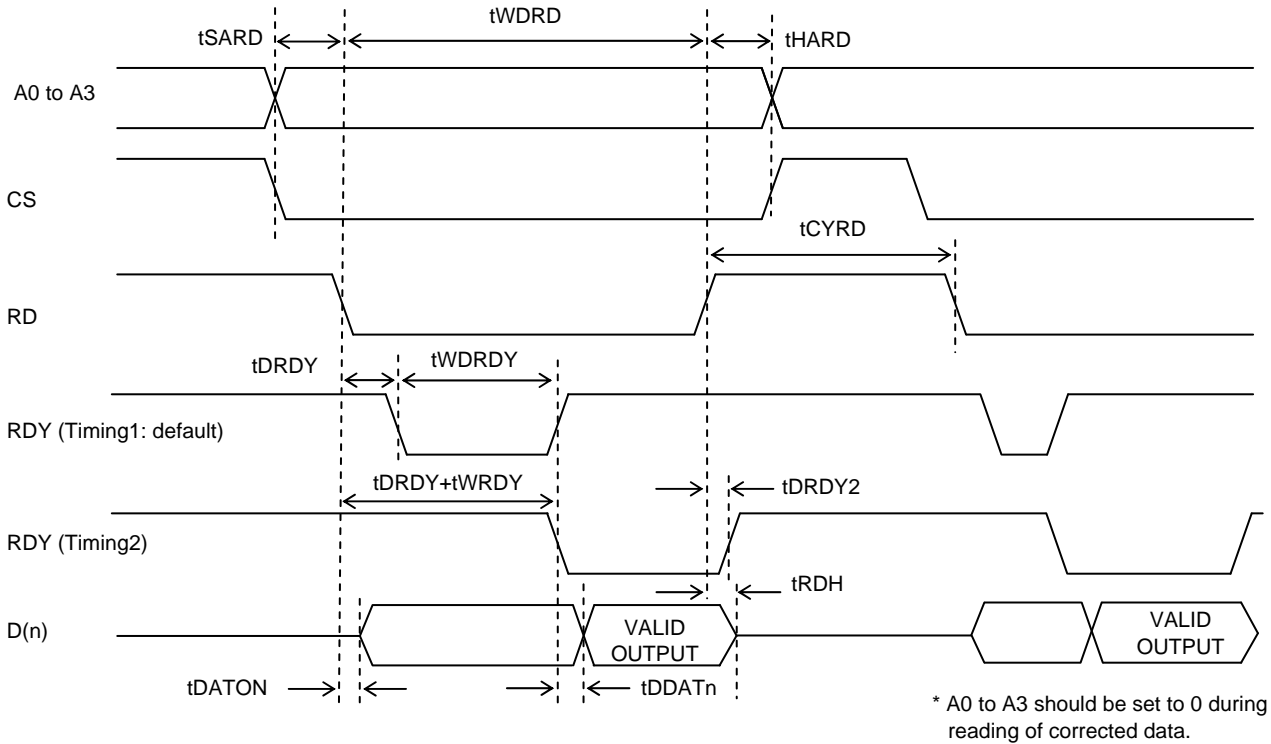
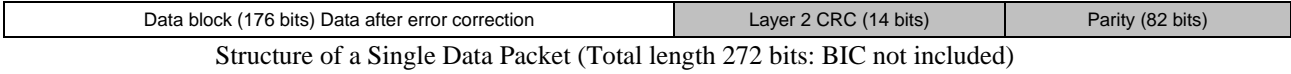
By setting bit 3 (RDY) = 1 of the control register 2, the RDY pin output method can be changed. In this case, the RDY pin changes from “H” to “L” in the timing enabling output of the acquired data and the pin returns to “H” after the end of data output (shown as Timing 2 in the figure).



(3) Corrected data output

This is to output the packet data after correction processing from LSI. The total length of output data is 176 bits (22 Bytes) only, and the Layer 2 CRC data (14 bits) and parity data (82 bits) are not output. The corrected data is output, on either the 8-bit or 16-bit units, sequentially from the leading data among those in one packet. The BIC code is not output.

The accessing method is the same as for the register output and the address “0” is input to A0 to A3 pins. Since this is different from the register output in the timing conditions during access, the timing chart is shown here separately from the register output. The RDY signal output method can also be selected similarly.



(4) Layer 4 CRC check output

This is a function to detect error of data group (layer 4 CRC). The CRC4 pin = “H” or bit1 (CRC4) = 1 of the status register after writing of the data group into the layer 4 CRC register means that there is no error. The accessing method is the same as for the data input when setting up an internal register, and the address “6h” of the layer 4 CRC register is input into the register address.

Note: WR cycle wait for writing in layer 4CRC register differs from the time of the data input of other register setup.

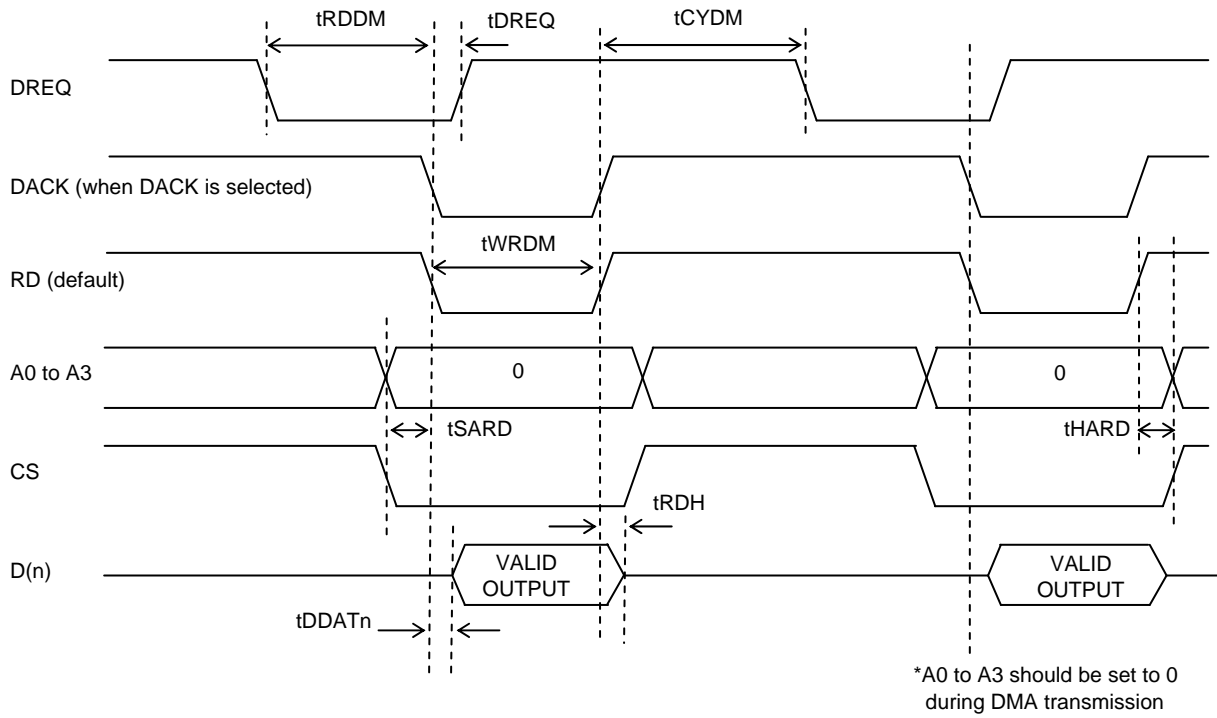
(5) DMA transmission output

Setting bit0 (DMA) = 1 of control register 2 causes the DMA mode, allowing the corrected data to be output in the DMA method.

For accessing, input the address “0h” to A0 to A3 pins after falling of the DREQ output pin, setting the CS pin = L, and then the RD pin = L. After the DREQ pin = H, data is acquired from the D(n) pin. Then, the wait state occurs for the tCYDM period or longer till the DREQ pin becomes “L”. In the DMA mode, only 8 bits can be selected for the data bus width. (n: 0 to 7 for BUSWD=L. Do not set BUSWD=H because it may cause fault.)

The DACK pin can be used instead of the RD pin for DMA transmission. In this case, it is necessary to set bit1 (DMA_RD) = 1 of the control register 2. It is also possible to change the polarity of DREQ and DACK pins. In this case, it is necessary to set bit4 (DREQ) = 1 and bit5 (DACK) = 1 of the control register 2.

LC72715PLG



Symbol	Parameter	min	typ	max	unit
tSARD	Address and CS to RD setup	20			ns
tHARD *1	RD to address and CS hold	0			ns
tWRDL	RD "L" level width	340			ns
tCYRD	RD cycle wait	150			ns
tWRDY	RDY width (at register output)	60		210	ns
tRDH	RD data hold	0		40	ns
tSAWR	Address and CS to WR setup	20			ns
tHAWR	WR to address and CS hold	20			ns
tCYWR	WR cycle wait	150			ns
	WR cycle wait(When writing data in Layer 4CRC register)	1200			ns
tWWRL	WR "L" level width	200			ns
tWDS	WR data setup	0			ns
tWDH	WR data hold	20			ns
tDRDY	RDY output delay	0		40	ns
tDRDY2	RDY output delay 2	0		40	ns
tWDRD	RD width at output of corrected data BUSWD=L (8bit)	340			ns
	RD width at output of corrected data BUSWD=H (16bit)	620			ns
tWDRDY	RDY width at output of corrected data BUSWD=L (8bit)	60		210	ns
	RDY width at output of corrected data BUSWD=H (16bit)	300		490	ns
tRDDM	DMA start time	20			ns
tDREQ	DACK to DREQ delay			260	ns
tDATON	DATn output start time	0		40	ns
tDDATn	DATn output delay	0		40	ns
tCYDM	DMA cycle wait			420	ns
tWRDM	RD "L" level width at DMA transmission output	300			ns

*1 Specified up to the earliest negating of A0 to A3 and CS

CPU Registers

This LSI has both write registers and read registers. Access to the registers is made via CCB IF or parallel IF. Switching of access mode is made with the SP pin. (CCB IF: SP=H, Parallel IF: SP=L)

(1) Write registers

Setting any data to '0h' or '7h' or larger address of Write-registers is prohibited. Do not set any data to these addresses.

• List of write registers

ADR	R/W	Register Name	Description
0h	-	-	Reserved (setting prohibited)
1h	W	BIC	Allowable number of BIC errors
2h	W	SYNCB	Block synchronization: error protection count
3h	W	SYNCF	Frame synchronization: error protection count
4h	W	CTL1	Control register 1
5h	W	CTL2	Control register 2
6h	W	CRC4	Layer 4 CRC register (for the parallel IF only. CCB to use the dedicated address)
7h and beyond	-	-	Reserved (setting prohibited)

• 1h <BIC>: Number of allowable BIC errors <Write Only>

Register to set the allowable number of BIC error bits for determination of synchronization

ADR	Register Name	Bit	Name	Description	Reset
1h	BIC	7-4	BIC_B	Backward protection value (initial value 2) Sets the number of allowable BIC error bits (when not synchronized).	0010b
		3-0	BIC_F	Forward protection value (initial value 2) Sets the allowable number of BIC error bits (when synchronized).	0010b

When the block synchronization determination output (BLOCK) is to be used determination of whether or not there is any FM multiplex data, it is recommended to set the allowable number of BIC errors during backward protection to '0001b' or '0000b'.

LC72715PLG

• **2h <SYNCB>: Block synchronization: error protection count <Write Only>**

Register to set the number of block synchronization protections for determination of block synchronization.

ADR	Register Name	Bit	Name	Description	Reset
2h	SYNCB	7-4	SYNCB_B	Backward protection value (Register initial value 1: Number of backward protections 2) Number of backward protections = Backward protection value +1	0001b
		3-0	SYNCB_F	Forward protection value (Register initial value 7: Number of forward protections 8) Number of forward protections = Forward protection value +1	0111b

To change the set value, it is necessary to set the value determined by deducting 1 from the desired number of protections.

The number of forward and backward protections can be set separately. The conditions for counting the number of protections are as follows:

• Number of backward protections (not synchronized): BLOCK=L)

When the timing of the free-run counter for LSI internal synchronization agrees with that of received BIC, the protection counter is incremented by 1. Similarly, when the timing between the LSI internal counter and the received BIC is lost, the protection counter is cleared to zero. The count timing is the timing of the LSI internal counter.

• Number of forward protections (synchronized: BLOCK=H)

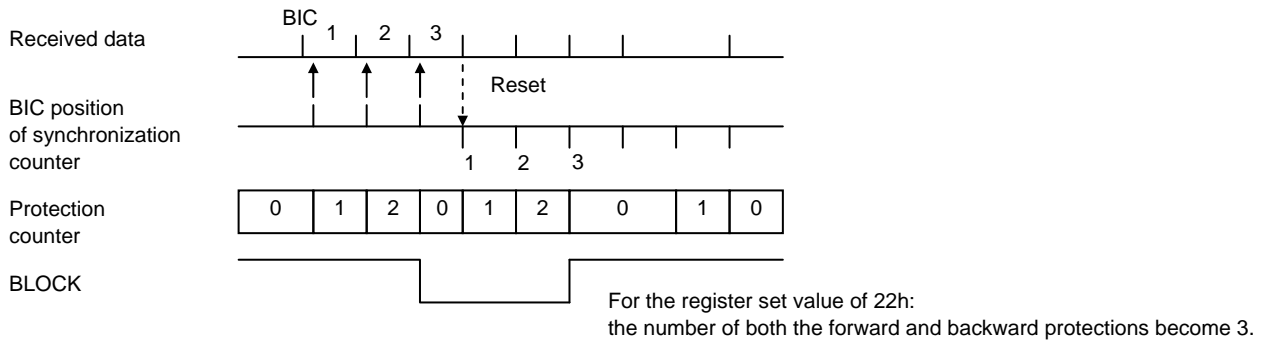
Contrarily to the case of backward protection, the number of protections is counted up when the timing of LSI internal free-run counter is deviated from the received BIC detection timing. The number of protections is cleared to zero when they agree.

The figure below shows the agreement/disagreement between the LSI internal timing and received BIC timing and the relationship between the protection counter value and BLOCK signal.

For the number of forward/backward protections of 3, the protection counter value at a timing of BLOCK signal changeover is 2, that is, smaller by 1. The number of protections is determined in the internal circuit by comparing the register set value for the number of forward/backward protections and the protection counter. Accordingly, the register set value must be set to the value smaller than the desired number of protections by 1.

For example, when the number of both forward and backward protections is 3 as shown below, it is necessary to set '22h'. If the set value is '00h', the number of protections becomes 1 by definition for forward and backward protections. However, the operation becomes the same as for the state without the protection circuit.

When the block synchronization flag output (BLOCK) is to be used for determination whether or not there is FM multiplex data, it is recommended to reset the value severer than the initial value.



• **3h <SYNCF>: Frame synchronization: error protection count <Write Only>**

Register to set the number of frame synchronization protections for determination of frame synchronization

ADR	Register Name	Bit	Name	Description	Reset
3h	SYNCF	7-4	SYNCF_B	Backward protection value (Register initial value 1: Number of backward protections 2) Number of backward protections = Backward protection value +1	0001b
		3-0	SYNCF_F	Forward protection value (Register initial value 7: Number of forward protections 8) Number of forward protections = Forward protection value +1	0111b

To change the set value, it is necessary to set the value determined by deducting 1 from the desired number of protections. This LSI detects BIC peculiar change points exist at four points in one frame and increases/decreases the counts of protection counter by determining agreement/disagreement with the timing counter for LSI internal frame synchronization.

LC72715PLG

- **4h <CTL1>: Control register 1 <Write Only>**

Register to control the block reset ON/OFF, function activation/stop, and the data output method.

ADR	Register Name	Bit	Name	Description	Reset
4h	CTL1	7	CRC4_RST	Layer 4 CRC check circuit reset setting 1: Reset ON 0: Reset OFF To cancel reset, it is necessary to set 0.	0
		6	D \bar{O} _MOVE	Sets the D \bar{O} pin output method changeover 0: Hi-Z state retained in states other than data output 1: Changes in an interlocked manner with the INT signal	0
		5	INT_MOVE	Sets changeover of corrected data output method *4 0: Outputs only data received at completion of correction & layer 2 CRC completion as well as during synchronization 1: Outputs all of data	0
		4	SYNC_RST	Synchronization regeneration circuit reset setting *1 1: Reset ON 0: Reset OFF 0 to be set to cancel reset	0
		3	EC_STOP	Error correction function down setting *2 0: All functions activated 1: Only MSK detector circuit and synchronization regeneration circuit activated	0
		2	VEC_HALT	Vertical error correction function down function *3 0: Executes vertical error correction and second horizontal correction. 1: Does not execute vertical error correction and second horizontal correction.	0
		1	-	Reserved	0
		0	-	Reserved	0

*1 With SYNC_RST=1, the synchronization status and the synchronization protection status are cleared, resulting in the unsynchronized state. This function enables rapid pull-in of frame synchronization when the frame synchronization of new tuned and received data is deviated during tuning of a radio receiver. In this case, registers such as the number of allowable BIC errors, the number of block forward/backward protections, and the number of frame forward/backward protections are not initialized. During reset, the INT signal is not output and the D \bar{O} pin becomes the HI-Z output.

*2 With EC_STOP=1, all of operations and data output related to error correction is shut down. MSK demodulation, synchronization circuits, serial data input, and layer 4 CRC circuit remain operative.

*3 With VEC_HALT=1 setting, all of LSI operation related to vertical correction and second horizontal correction are shut down. Only the data after first horizontal correction is output.

*4 Since the output mode will be modified depending on the setting of the VEC_OUT flag or the result of horizontal error correction, refer to the "List of operation modes" section for detail.

LC72715PLG

- **5h <CTL2>: Control register 2 <Write Only>**

Register to control the parallel IF setting, vertically-corrected data output method, etc.

ADR	Register Name	Bit	Name	Description	Reset
5h	CTL2	7	Reserved	Either keep an initial value or set it to 0.	0
		6	BLK_RST	Block synchronization circuit reset setting *1 1: Reset ON 0: Reset OFF 0 to be set to cancel reset	0
		5	DACK	DACK signal polarity setting (effective for SP=L only) 0: Negative logic for DACK signal polarity 1: Positive logic for DACK signal polarity	0
		4	DREQ	DREQ signal polarity setting (effective for SP=L only) 0: Negative logic for DREQ signal polarity 1: Positive logic for DREQ signal polarity	0
		3	RDY	RDY signal timing setting (effective for SP=L only) 0: Outputs the RDY signal in the timing 1. 1: Outputs the RDY signal in the timing 2.	0
		2	VEC_OUT	Vertically error corrected data output method changeover setting *2 0: No vertically error corrected output if vertical error correction has not been made 1: All data output even when vertical error correction has not been made	0
		1	DMA_RD	DMA read control signal selection setting (effective for SP=L only) 0: RD signal used 1: DACK signal used	0
		0	DMA	DMA transmission function enable setting (effective for SP=L only) 0: DMA transmission not used for reading of corrected data 1: DMA transmission used for reading of corrected data	0

*1 With BLK_RST=1, the block synchronization state and block synchronization protection counter value are cleared. But this does not affect the functions related to frame synchronization.

*2 With VEC_OUT=1, one frame of data completely free from error. The data similar to the horizontally-corrected data is output in the timing of output of vertically-corrected data even when vertical correction has not been made.

- **6h <CRC4>: Layer 4 CRC register <Write Only>**

Register for data group writing to check the layer 4 CRC.

Used on with the parallel IF. The dedicated CCB address is to be used for CCB IF.

ADR	Register Name	Bit	Name	Description	Reset	
6h	CRC4	7	CRCDAT7	Layer 4 CRC check data setting	0	
		6	CRCDAT6		0	
		5	CRCDAT5	By writing value consecutively into this register, the layer 4 CRC check of data group comprising multiple bytes can be made.	0	
		4	CRCDAT4		0	
		3	CRCDAT3		The CRC checked results can be known by checking the CRC4 flag in the status register or CRC4 pin output.	0
		2	CRCDAT2			0
		1	CRCDAT1			0
		0	CRCDAT0			0

LC72715PLG

(2) Read registers

• List of read registers

ADR	R/W	Register Name	Description
0h	R	PDATO	Input this address into A0 to A3 after reading of error-corrected data
1h	R	STAT	Status register
2h	R	BLNO	Block number register
3h and beyond	-	-	Reserved

Parallel mode: To read registers, send address shown in the list of read registers.

CCB mode: To read registers, send assigned CCB address (FBh or FDh). It is not necessary to send address shown in the list of read registers.

• 1h <STAT>: Status register <Read Only>

Register to confirm various states

ADR	Register Name	Bit	Name	Description	Reset
1h	STAT	7	VH	Determination on vertically error corrected data 0: Data for which only horizontal correction is performed 1: Data for which vertical and second horizontal correction after horizontal correction are performed	0
		6	BLK	Block synchronization state 0: Data that is received when block synchronization is not established 1: Data that is received when block synchronization is established	0
		5	FRM	Frame synchronization state 0: Data that is received when frame synchronization is not established 1: Data that is received when frame synchronization is established	0
		4	ERR	Error correction state 0: Data whose correction is completed and for which error is not detected by the layer 2 CRC check 1: Data whose correction is impossible or for which error is detected by the layer 2 CRC check.	0
		3	PRI	Determination of parity block 0: Data that is estimated to be data block by the frame synchronization circuit 1: Data that is estimated to be parity block by the frame synchronization circuit	0
		2	HEAD	Frame head determination 1: Data that is estimated to be the frame head block by the frame synchronization circuit 0: Data other than above	0
		1	CRC4	Layer 4 CRC check result 0: Error in layer 4 CRC check result 1: No error in layer 4 CRC check result	1
		0	-	Reserved	0

• 2h <BLNO>: Block Number register <Read Only>

Register to confirm the output data block Number

ADR	Register Name	Bit	Name	Description	Reset
2h	BLNO	7	BLN7	Indicates the block Number or parity block Number of output data Data block Number 0 to 189 Parity block Number 0 to 81	0
		6	BLN6		0
		5	BLN5		0
		4	BLN4		0
		3	BLN3		0
		2	BLN2		0
		1	BLN1		0
		0	BLN0		0

- Data renewal timing of read register

The timing for rewriting of read register (STAT, BLNO) data is the timing for changing of INT from H to L.

- Read procedure of corrected data

Normally, the status register is first read because of occurrence of interrupt to check the condition of corrected output data that is output by the interrupt signal, determining whether or not read is necessary. For example, read is not made till the next interrupt if the error correction result is NG and read is not necessary.

For CCB IF, data read is made at the CCB address, 'FBh', and determination is made by means of the status information added by 16 bits to see if the subsequent data is to be read. When interrupting read, set the CE signal to "L".

It is possible to read the register in a manner asynchronous with the interrupt signal. For example, to check the current receiving state, read the status register to check BLK (data received during block synchronization) and FRM (data received during frame synchronization). In this case, read data is more close to the current receiving state, when VH=0 (data subject to horizontal correction only) information is used.

- Layer 4 CRC check

To perform layer 4 CRC check, the data group to be checked is transmitted. After transmission, it is determined that the data group is free from error if the CRC4 pin becomes the H-level output or the status register CRC4 (layer 4 CRC check result) is '1'.

The CRC4 pin or CRC4 flag of status register is either "H" or "1" when all bits of check register in LSI are "0". To perform layer 4 CRC check using this function, it is necessary to initialize the CRC check register in LSI before transmission of one group of one data group. Initialization is made by setting the CRC4_RST (layer 4 CRC check circuit reset) of control register to '1'.

Subsequently, to transmit the layer 4 CRC check data, set CRC4_RST back to 0 to cancel reset.

The generating polynomial of CRC code is as follows: $G(X) = X^{16} + X^{12} + X^5 + 1$

Error Correction

(1) Error Correction and Output Conditions of Error-corrected Data (in the default state)

The received data is subject to error detection by the layer 2 CRC and error correction by the (272,190) code for each one block (272 bits). At the end of correction, preparation for transmission to CPU is made and the INT signal is output. This is called "horizontal correction".

In the default state, this INT signal is output only when the output data concerned meets all of three conditions as follows:

- ① Data whose error correction is completed and for which layer 2 CRC detects no error
- ② Data received during block and frame synchronizations
- ③ Data in the data packet

* Depending on the register mode setting, horizontally-corrected data may be output regardless of conditions of ① to ③ above.

When horizontal correction cannot cover completely, correction by the product code is made frame by frame. For data that cannot be horizontally corrected, the second horizontal correction is made.

This series of operations is called "vertical correction". Conditions for the data obtained from vertically-corrected output are as follows in the default state:

- ① Data that cannot be corrected by horizontal correction, but that has been completely corrected by the vertical correction
- ② Data in the data packet

Accordingly, horizontally-corrected data is not output. Packet data that cannot be corrected horizontally or vertically is not output. The parity packet data after vertical correction is not output either.

Vertical correction is applied to the whole packet data that have been received during frame synchronization, and is executed when horizontal correction cannot correct all packet (block) data. Vertical correction is not made when the error-free data is received for one frame or when the received data is not in frame synchronization during reception. For the packet whose error has been corrected by horizontal correction and any error-free packet, vertical correction is not made to prevent faulty correction.

In the default setting, the applicable vertically-corrected output is not output when vertical correction has not been made.

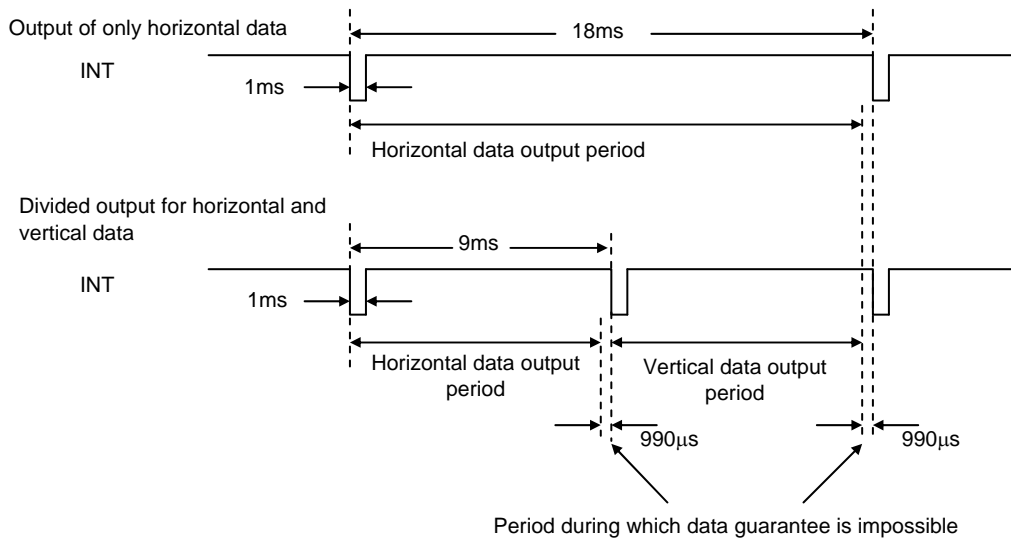
* Depending on the register mode setting, the vertically-corrected data may be output regardless of whether or not vertical correction is to be made.

(2) Error-corrected Data Output Timing (Basic Restrictions)

Data received by LSI is corrected error and written sequentially without any interruption into the output data buffer memory. Since this data buffer memory has a capacity for one-block data, the corrected data before reading is overwritten by the next data if data read is delayed. In consequence, it is essential to read data according to the timing stipulations shown below.

This LSI specifies the output timing for each of horizontally and vertically corrected data as follows:

- ① Upon completion of preparation for the output data, LSI lowers the INT pin to "L" as a request for transmission.
- ② Data output has the period during which only horizontal data can be read and the period during which horizontal and vertical data are read according to the time division.
- ③ Complete data transmission within about 8ms after INT = "L". When only the horizontally-corrected data can be output, data transmission is possible for about 17ms. Even when CPU is in the course of reading, the output buffer is overwritten by the next output data once the specified time period is expired.
- ④ The data amount that can be read by one horizontal and vertical transmission request (INT) is one block only. Vertically-corrected data is output sequentially beginning with the first block after completion of vertical correction, but the data of parity block is not output.

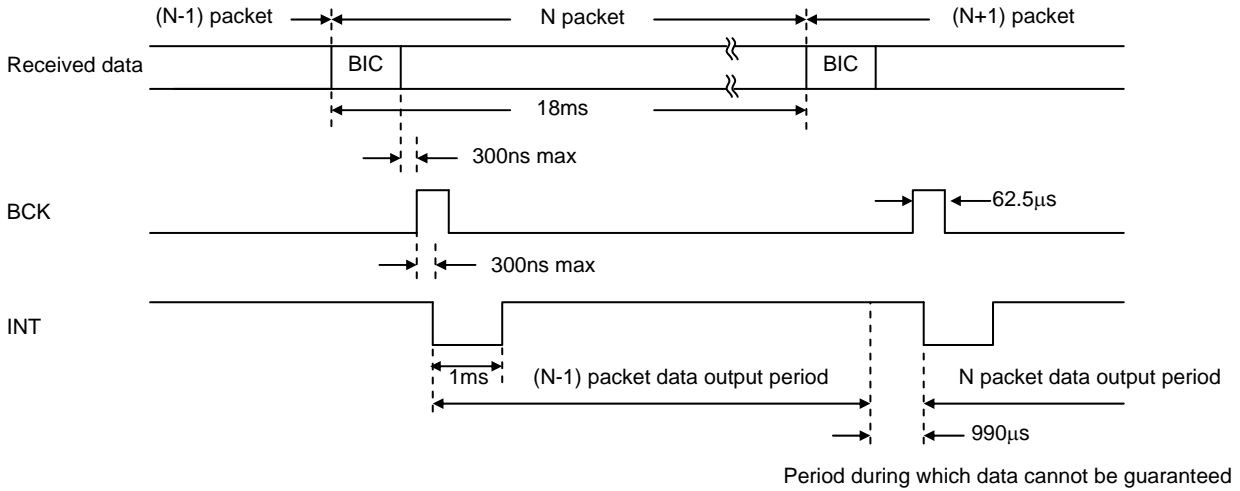


LC72715PLG

(3) Horizontally-corrected Data Output Timing (Relationship With The Received Data)

The timing relationship between the received data and interrupt control signal (INT) for horizontal-corrected data output is shown. But the delay from the actual received signal caused by demodulation in the MSK demodulation block is ignored.

Block synchronization is established by determining the BIC code. Data of the Nth packet can be output during receiving of the next (N + 1) packet data.



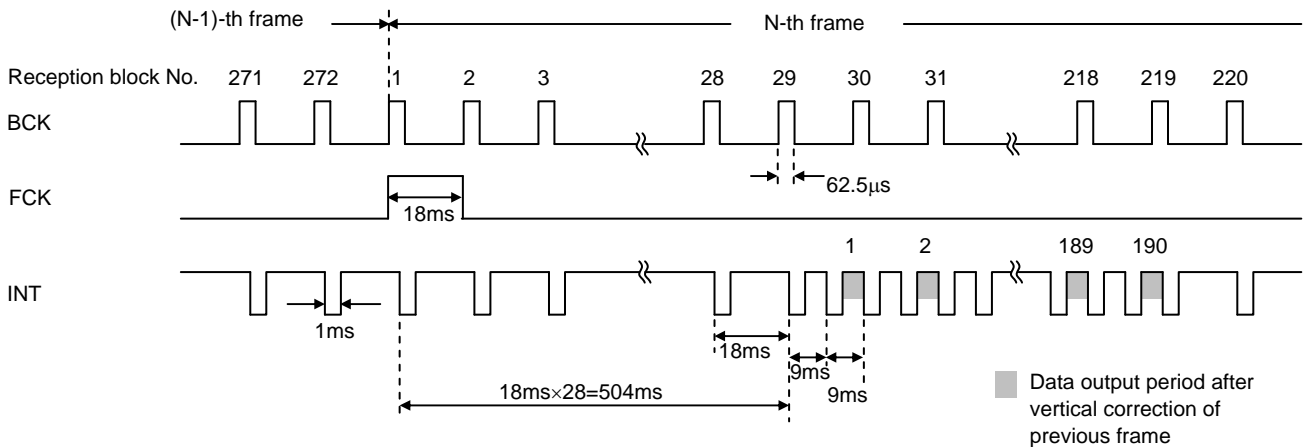
(4) Vertically-corrected Data Output Timing

Vertical correction is made when the data of one frame is stored in the memory, frame synchronization has been established, and when horizontal correction cannot correct all of packet data. Vertical correction start timing is the head of a frame. During receiving of the first to 28th packets of the N-th frame, horizontal correction of each packet is made, transferring data to the CPU interface. Using the idling time in this period, vertical correction of the previous (N-1)-th frame data is made.

Vertically-corrected data is output for the amount equivalent to 190 blocks sequentially beginning with reception of the 29th packet (block), in such a manner that one block data is output each time one block is received. Only data of data block in the FM multiplex broadcasting frame is output.

The final 190th block is output during reception of the 218th block.

In the vertically-corrected data output timing, the packet data corrected by horizontal correction is not output (INT not issued). However, vertical correction data output order is not shortened for the amount equivalent to the packet data that is not output. For example, if the first to 100th data packets have been horizontally corrected, the 101st vertically corrected packet data is output, not at the reception point of the block Number 29th, but at the 129th packet data reception point.



LC72715PLG

(5) List of Operation Modes

Depending on the set value of INT_MOVE (bit 5 of control register 1) and VEC_OUT (bit 2 of control register 2), the INT signal output timing and output data are modified. In the table below, ○ indicates “output”, × indicates “no output.” and - indicates “none applicable.”

Parameter	INT_MOVE	VEC_OUT	Horizontal correction result	Horizontally-corrected output			Vertically-corrected output	
				OK data	NG data	Parity	OK data	NG data
Default value	0	0	OK	○	-	×	×	-
			NG	○	×	×	○ *1	×
Mode 1	1	1	OK	○	-	○	○ *2	-
			NG	○	○	○	○ *2	○
Mode 2	1	0	OK	○	-	○	×	-
			NG	○	○	○	○ *4	○
Mode 3	0	1	OK	○	-	×	○	-
			NG	○	×	×	○	○

*1 Only data whose horizontal correction result is NG and whose vertical correction result is OK is output.

*2 All of vertically-corrected outputs (190 blocks/frame) are output, in both cases of horizontal correction result of OK and NG, regardless of whether the vertical correction result is OK or NG.

*3 The vertically-corrected data is not output when there is no data that is determined to be NG because all the horizontal correction results are OK.

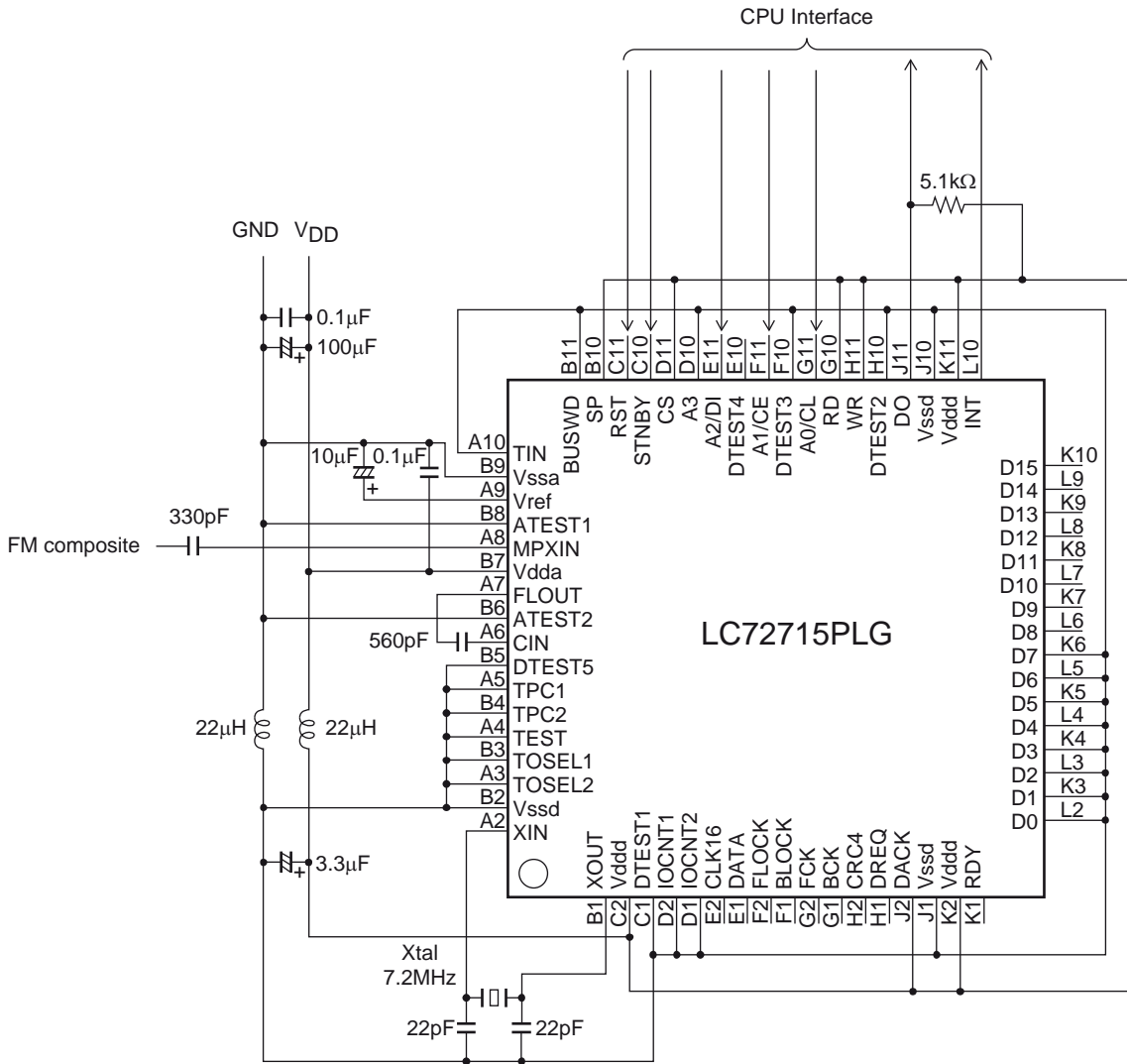
*4 When there is any data whose horizontal correction result becomes NG, all of vertically-corrected outputs (190 blocks/frame) are output regardless of whether the vertical correction result is OK or NG.

LC72715PLG

Example of an application circuit diagram

This is an application circuit example when the CCB serial interface is selected, using a microcomputer operating on the supply voltage of 3V.

The DO pin must be pulled up by a resistor to the supply voltage.



<Note>

- (1) This example of an application circuit is a circuit of reference, and does not guarantee the characteristic.
- (2) The capacitance value to be connected to the above crystal oscillator is the reference value.
Before use, confirm by crystal supplier that oscillation is free from trouble using the actual substrate.
- (3) A bypass capacitor needs to be connected near the power supply terminal.

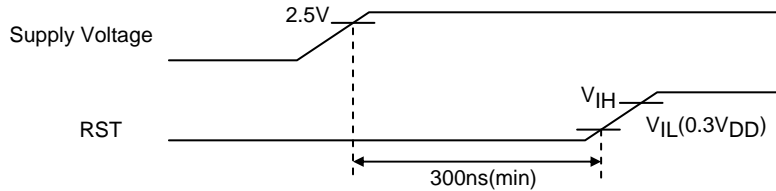
Cautions

Operation at Reset and Standby

(1) Reset signal

After crystal was oscillated and stabilized, reset operation is performed by setting the RST pin input level to V_{IL} or less for 300ns or more at the supply voltage (V_{DD}) of 2.5V or more. (See the figure below).

Be sure to perform reset operation at power ON.



(2) Pin state at reset

Refer to the list of pin functions.

(3) Reset operation range

The reset signal causes reset inside LSI, causing return to the initial state. Though the crystal oscillation circuit is not stopped, the internal divider circuit is stopped.

(4) Data input after reset

If 300ns or more time has elapsed after completion of reset, the register write control circuit is ready for activation.

(5) Standby mode

Set the STNBY pin to the "H" level, and LSI enters the standby mode. In this mode, all of LSI operations can be stopped. After canceling of STNBY, the time is required till the crystal oscillation circuit becomes stable.

Digital pin output states during standby is the same as for that [during](#) reset. On the other hand, analog output pins (FLOUT, [VREFVref](#)) are L outputs ($V_{dda}/2$ is output during reset).

Similarly to the case of reset, the LSI inside is reset to return to the initial state.

- The DARC (Data Radio Channel) FM multiplex broadcast technology was developed by NHK (Japan Broadcasting Corporation).
- The DARC is a registered trademark of NHK Engineering Services, Inc. (NHK-ES).
- A separate contract with NHK-ES is required in advance for the manufacture and/or sales of electronic equipment in Japan and other countries that uses the patents, which are related to DARC technology, and which are registered in Japan and such other countries by NHK independently or in cooperation with a third party.
- DARC and the logo shown on the right-hand side can be displayed on electronic equipment that uses DARC technology by the conclusion of a contract with NHK-ES.

Please contact NHK Engineering Services for further details.

Contact information: NHK Engineering Services, Inc.

Phone: +81- (0)3-5494-2400 (main)

URL: <http://www.nes.or.jp/index.html>



***Note**

The number of shipments of this LSI will be reported to NHK-ES by SANYO Semiconductor Co., Ltd.
(the number of samples is excluded)

ON Semiconductor and the ON logo are registered trademarks of Semiconductor Components Industries, LLC (SCILLC). SCILLC owns the rights to a number of patents, trademarks, copyrights, trade secrets, and other intellectual property. A listing of SCILLC's product/patent coverage may be accessed at www.onsemi.com/site/pdf/Patent-Marking.pdf. SCILLC reserves the right to make changes without further notice to any products herein. SCILLC makes no warranty, representation or guarantee regarding the suitability of its products for any particular purpose, nor does SCILLC assume any liability arising out of the application or use of any product or circuit, and specifically disclaims any and all liability, including without limitation special, consequential or incidental damages. "Typical" parameters which may be provided in SCILLC data sheets and/or specifications can and do vary in different applications and actual performance may vary over time. All operating parameters, including "Typicals" must be validated for each customer application by customer's technical experts. SCILLC does not convey any license under its patent rights nor the rights of others. SCILLC products are not designed, intended, or authorized for use as components in systems intended for surgical implant into the body, or other applications intended to support or sustain life, or for any other application in which the failure of the SCILLC product could create a situation where personal injury or death may occur. Should Buyer purchase or use SCILLC products for any such unintended or unauthorized application, Buyer shall indemnify and hold SCILLC and its officers, employees, subsidiaries, affiliates, and distributors harmless against all claims, costs, damages, and expenses, and reasonable attorney fees arising out of, directly or indirectly, any claim of personal injury or death associated with such unintended or unauthorized use, even if such claim alleges that SCILLC was negligent regarding the design or manufacture of the part. SCILLC is an Equal Opportunity/Affirmative Action Employer. This literature is subject to all applicable copyright laws and is not for resale in any manner.