



SANYO Semiconductors

DATA SHEET

LV5212VH — Bi-CMOS IC 8ch LED Driver

Overview

The LV5212VH is a semiconductor integrated circuit that incorporates a serial input and serial or parallel output 8-stage shift register that features a CMOS structure based on Bi-CMOS process technology. The LV5212VH also contains an n-channel CMOS construction high-withstand-voltage, large-current drive 8-stage parallel output driver.

Features

- Serial input and serial or parallel output
- Serial output enables cascade connection
- Serial input/output levels compatible with typical CMOS devices
- High-withstand-voltage LED driver with open drain output
 - High withstand voltage ($V_{DS} < 50V$)
 - High-current drive ($I_O \text{ max} = 300mA$)
- Operating temperature range $T_a = -25$ to $75^\circ C$
- Enable input for output control
- Low supply current ($0.0\mu A$ typ. during standby)

Specifications

Maximum Ratings at $T_a = 25^\circ C$

Parameter	Symbol	Conditions	Ratings	Unit
Maximum supply voltage	$V_{CC \text{ max}}$	SV_{CC}	6	V
Output voltage	$V_O \text{ max}$	LEDO1 to LEDO8 off	50	V
Output current	$I_O \text{ max}$		300	mA
Allowable power dissipation	$P_d \text{ max}$	$T_a \leq 25^\circ C$ *	1000	mW
Operating temperature	T_{opr}		-25 to +75	$^\circ C$
Storage temperature	T_{stg}		-40 to +125	$^\circ C$

* Specified board : 114.3mm × 76.1mm × 1.6mm, glass epoxy board.

* The device must be used within the ranges warranted for its specifications so as to ensure its specified ratings (such as maximum ratings and operating condition ranges) are not exceeded even momentarily.

Use of the device in such a way that its ratings are exceeded may cause failures, damage and other problems.

■ Any and all SANYO Semiconductor Co.,Ltd. products described or contained herein are, with regard to "standard application", intended for the use as general electronics equipment (home appliances, AV equipment, communication device, office equipment, industrial equipment etc.). The products mentioned herein shall not be intended for use for any "special application" (medical equipment whose purpose is to sustain life, aerospace instrument, nuclear control device, burning appliances, transportation machine, traffic signal system, safety equipment etc.) that shall require extremely high level of reliability and can directly threaten human lives in case of failure or malfunction of the product or may cause harm to human bodies, nor shall they grant any guarantee thereof. If you should intend to use our products for applications outside the standard applications of our customer who is considering such use and/or outside the scope of our intended standard applications, please consult with us prior to the intended use. If there is no consultation or inquiry before the intended use, our customer shall be solely responsible for the use.

■ Specifications of any and all SANYO Semiconductor Co.,Ltd. products described or contained herein stipulate the performance, characteristics, and functions of the described products in the independent state, and are not guarantees of the performance, characteristics, and functions of the described products as mounted in the customer's products or equipment. To verify symptoms and states that cannot be evaluated in an independent device, the customer should always evaluate and test devices mounted in the customer's products or equipment.

SANYO Semiconductor Co., Ltd.

<http://semicon.sanyo.com/en/network>

LV5212VH

Operating Conditions at $T_a = 25^\circ\text{C}$

Parameter	Symbol	Conditions	Ratings	Unit
Recommended supply voltage	V_{CC}	SV_{CC}	5.0	V
Operating supply voltage range	$V_{CC\ op}$	SV_{CC}	3.0 to 5.5	V
Output applied voltage	V_O		50	V
Output current	I_O	Duty = 45% to 55%	300	mA

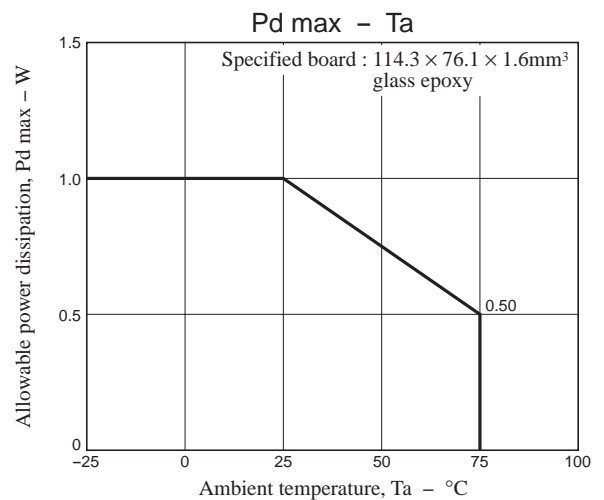
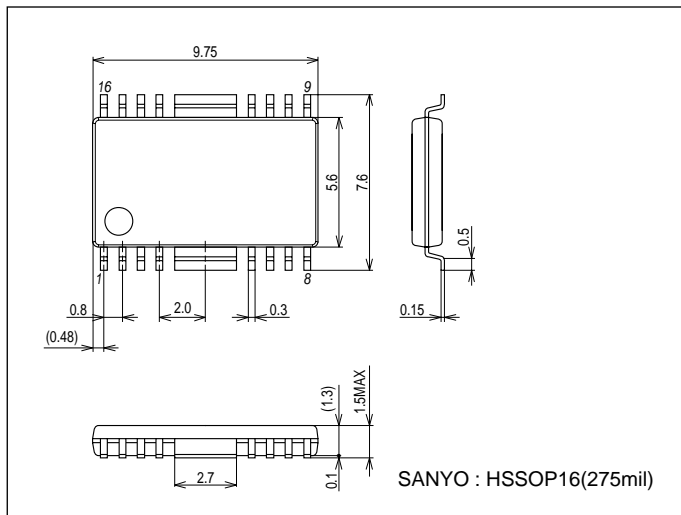
Electrical Characteristics at $T_a = 25^\circ\text{C}$, $V_{CC} = 5.0\text{V}$

Parameter	Symbol	Conditions	Ratings			Unit
			min	typ	max	
Quiescent current drain	I_{CC1}	LEDO driver off (standby)		0	5	μA
LEDO output on resistance	R_{on}	$I_O = 100\text{mA}$		3		Ω
OFF leak current	I_{leak}	$V_O = 50\text{V}$		0	10	μA
Control circuit block						
H level 1	V_{INH1}	Input H level	$V_{CC} \times 0.8$			V
L level 1	V_{INL1}	Input L level	0		$V_{CC} \times 0.2$	V
H level 2	V_{OUTH1}	SOUT $I_O = -1\text{mA}$	$V_{CC} - 0.3$			V
L level 2	V_{OUTL1}	SOUT $I_O = 1\text{mA}$	0		0.3	V

Package Dimensions

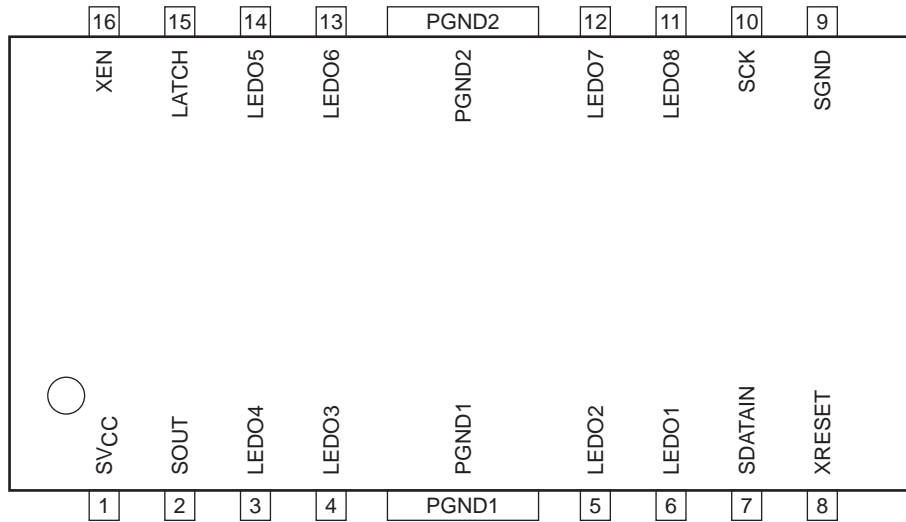
unit : mm (typ)

3325



LV5212VH

Pin Assignment

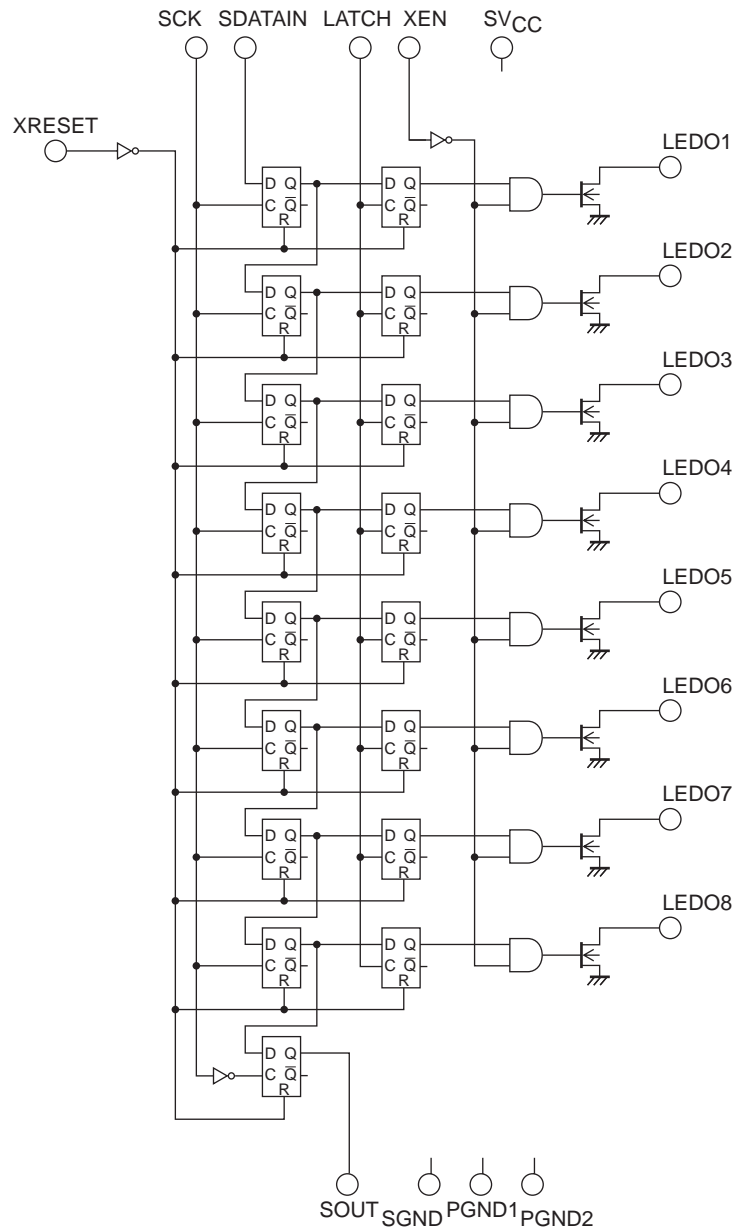


Top view

Pin Descriptions

Pin No.	Pin name	I/O	Description
1	SVCC		Power supply
2	SOUT	O	shift register output (final-stage shift register)
3	LEDO4	O	LEDO4 Latch output (LEDO4 of shift register)
4	LEDO3	O	LEDO3 Latch output (LEDO3 of shift register)
5	LEDO2	O	LEDO2 Latch output (LEDO2 of shift register)
6	LEDO1	O	LEDO1 Latch output (LEDO1 of shift register)
7	SDATAIN	I	Serial input
8	XRESET	I	Reset input (shift register and latch)
9	SGND		GND
10	SCK	I	Clock input (for shift register)
11	LEDO8	O	LEDO8 Latch output (LEDO8 of shift register)
12	LEDO7	O	LEDO7 Latch output (LEDO7 of shift register)
13	LEDO6	O	LEDO6 Latch output (LEDO6 of shift register)
14	LEDO5	O	LEDO5 Latch output (LEDO5 of shift register)
15	LATCH	I	Latch input When the latch input is held low, the LED0 output status is retained. When a high-level is input, the LED0 outputs change when the status of the shift register changes.
16	XEN	I	Enable inputs (LEDO1 to LEDO8) When a high-level is input, all the LED0 outputs are turned off. When a low-level is input, the shift register data is output to LED0.
PGND1	PGND1		GND
PGND1	PGND2		GND

Block Diagram



Function

The LV5212VH consists of 1) an 8-stage D-type flip-flop and 2) an 8-stage D-type flip-flop connected to the output of 1). When data is supplied to the serial data input (SDATAIN) and the clock pulse is supplied to the clock input (SCK), the serial data input signal is input to the internal shift register and the data already in the shift register shifted sequentially when the clock changes from low to high.

The serial output (SOUT) is used to connect multiple LV5212VH to expand the number of bits and is connected to the SDATAIN of the next stage. (Cascade connection supported.)

For parallel output, when the output control enable input (XEN) is low, the latch input (LATCH) changes from low to high and the clock pulse input changes from low to high, the serial data input signal is output to LEDO1, and the output is shifted sequentially. For parallel outputs (LED2 to LED8), the signals whose polarities inverted from those of the serial data input (SDATAIN) are output.

When the EN input is high, outputs LED01 through LED01 all turn off.

When the reset input is low, outputs LED01 through LED8 and SOUT outputs all turn off. The power must be turned on after checking that the reset input is low.

LV5212VH

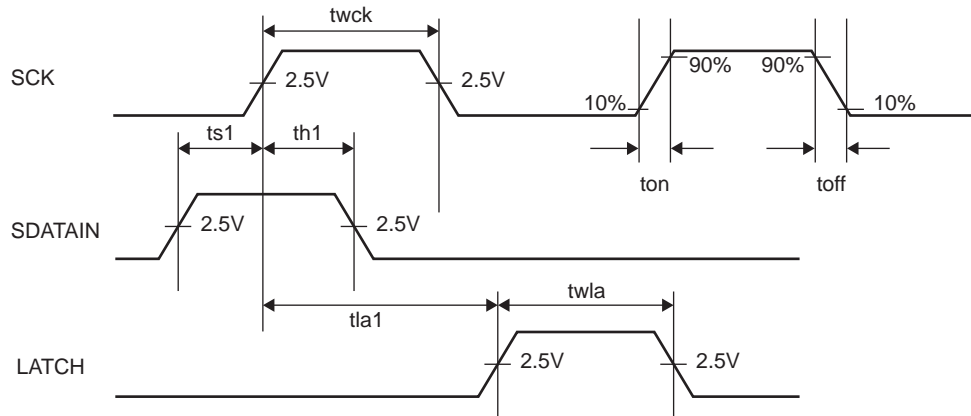
Pin Functions

Pin No.	Pin Name	Pin function	Equivalent Circuit
7 10	SDATAIN SCK	Pull-down input	
8 15 16	XRESET LATCH XEN	Pull-up input	
2	SOUT	SOUT output	
3 4 5 6 11 12 13 14	LEDO4 LEDO3 LEDO2 LEDO1 LEDO8 LEDO7 LEDO6 LEDO5	LEDO outputs LEDO1 to LEDO8	

LV5212VH

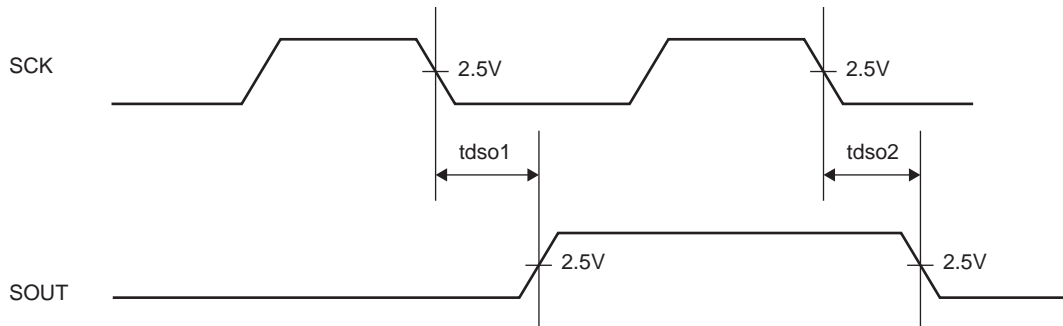
Timing conditions

Parameter	symbol	Conditions	min	typ	max	unit
Clock frequency	fs1	SCK Duty = 50%			10	MHz
Clock pulse width	twck	SCK	50			ns
Latch pulse width	twla	LATCH	50			ns
Data set up time	ts1	SDATAIN setup time relative to the rise of SCK	25			ns
Data hold time	th1	SDATAIN data hold time relative to the rise of SCK	25			ns
Clock latch time	tla1		100			ns
Input conditions 1	ton	SCK and SDATAIN rise time			100	ns
Input conditions 2	toff	SCL and SDATAIN fall time			100	ns



SOUT output timings

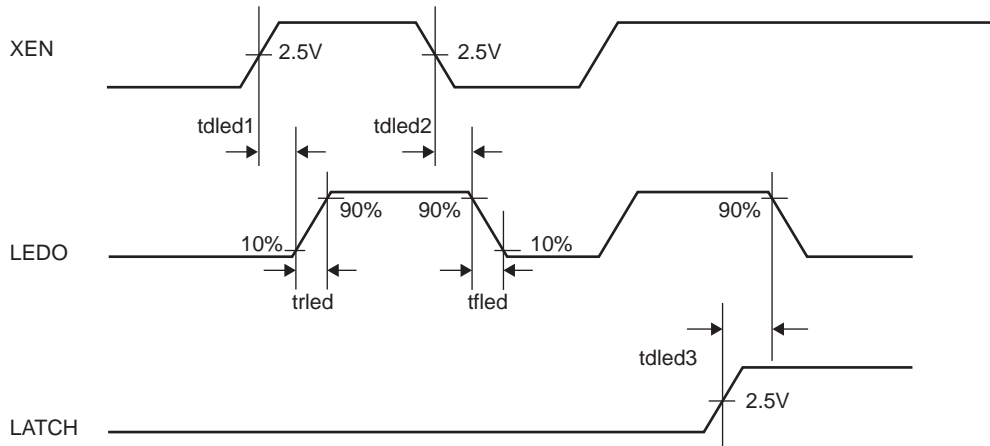
Parameter	symbol	Conditions	min	typ	max	unit
SOUT delay time 1	tdso1	The time from a SCK falling edge to SOUT rising edge			50	MHz
SOUT delay time 2	tdso2	The time from a SCK falling edge to SOUT falling edge			50	ns



LV5212VH

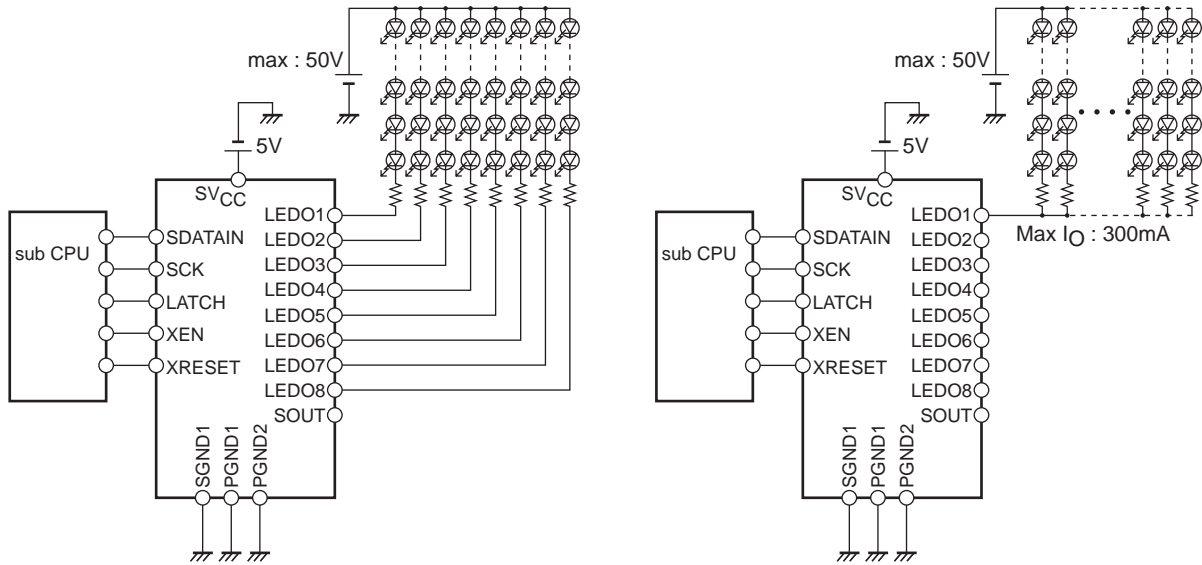
LEDO output timings

Parameter	symbol	Conditions	min	typ	max	unit
LEDO delay time 1	tdled1	The time from an XEN rising edge to LEDO rising edge CL = 30pF, I _O = 100mA, V _O = 30V		100		ns
LEDO delay time 2	tdled2	The time from an XEN falling edge to LEDO falling edge CL = 30pF, I _O = 100mA, V _O = 30V		100		ns
LEDO rise time	trled	LEDO rise time CL = 30pF, I _O = 100mA, V _O = 30V		200		ns
LEDO fall time	tfled	LEDO fall time CL = 30pF, I _O = 100mA, V _O = 30V		200		ns
LEDO delay time 3	tdled3	The time from a LATCH rising edge to LEDO falling edge CL = 30pF, I _O = 100mA, V _O = 30V		200		ns

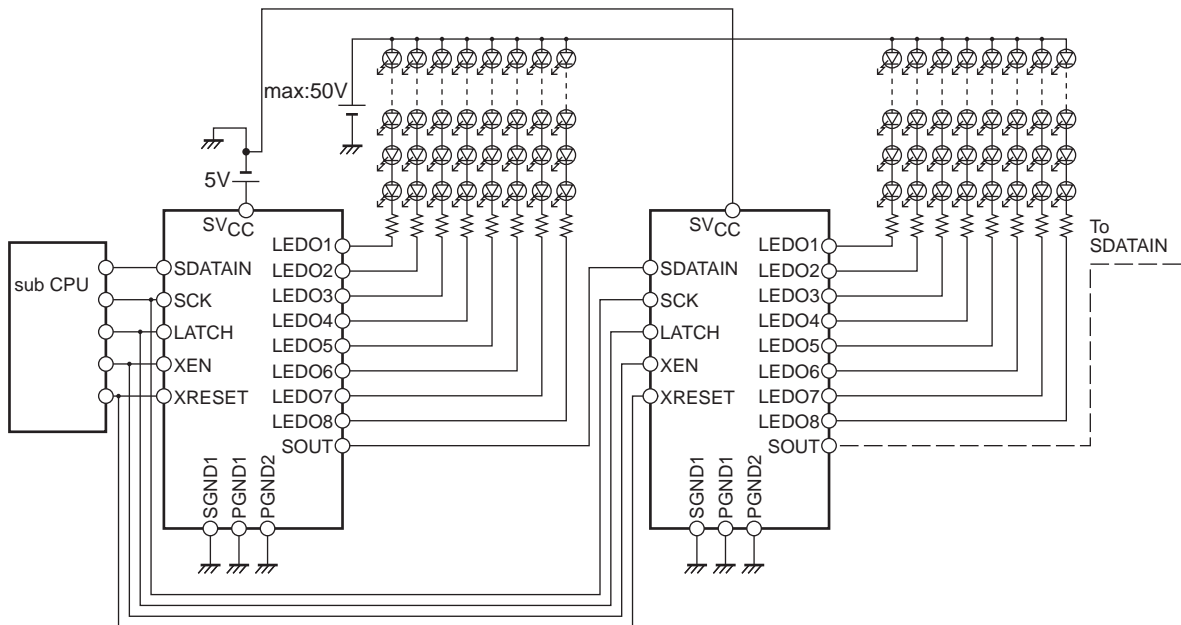


Application Circuit Example

- When parallel output is used

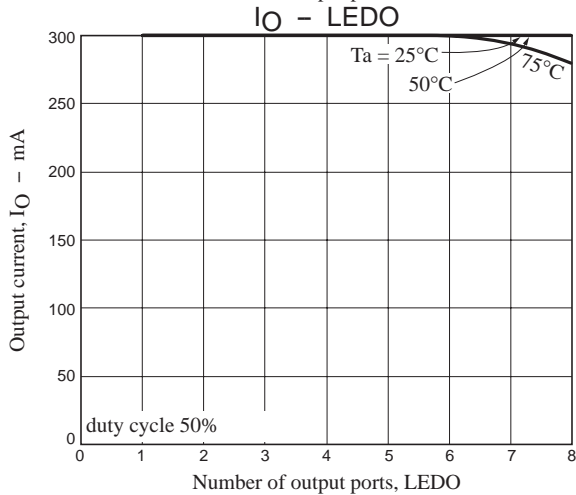
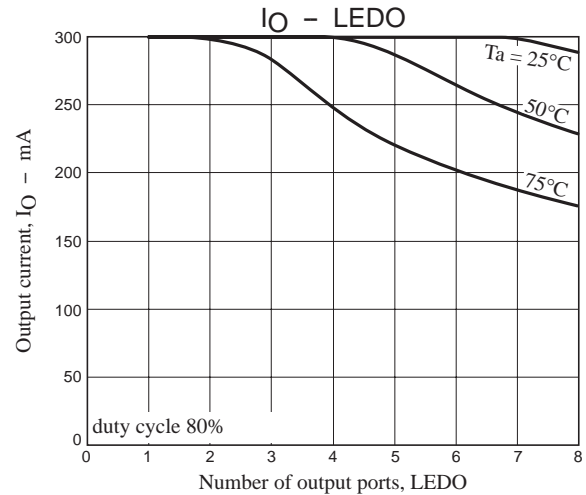
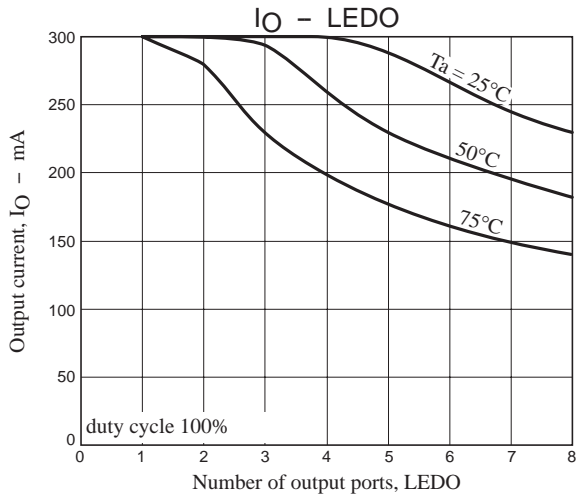


- When serial output is used (SOUT cascade connection)



LV5212VH

Allowable output current characteristics



- SANYO Semiconductor Co.,Ltd. assumes no responsibility for equipment failures that result from using products at values that exceed, even momentarily, rated values (such as maximum ratings, operating condition ranges, or other parameters) listed in products specifications of any and all SANYO Semiconductor Co.,Ltd. products described or contained herein.
- SANYO Semiconductor Co.,Ltd. strives to supply high-quality high-reliability products, however, any and all semiconductor products fail or malfunction with some probability. It is possible that these probabilistic failures or malfunction could give rise to accidents or events that could endanger human lives, trouble that could give rise to smoke or fire, or accidents that could cause damage to other property. When designing equipment, adopt safety measures so that these kinds of accidents or events cannot occur. Such measures include but are not limited to protective circuits and error prevention circuits for safe design, redundant design, and structural design.
- In the event that any or all SANYO Semiconductor Co.,Ltd. products described or contained herein are controlled under any of applicable local export control laws and regulations, such products may require the export license from the authorities concerned in accordance with the above law.
- No part of this publication may be reproduced or transmitted in any form or by any means, electronic or mechanical, including photocopying and recording, or any information storage or retrieval system, or otherwise, without the prior written consent of SANYO Semiconductor Co.,Ltd.
- Any and all information described or contained herein are subject to change without notice due to product/technology improvement, etc. When designing equipment, refer to the "Delivery Specification" for the SANYO Semiconductor Co.,Ltd. product that you intend to use.
- Information (including circuit diagrams and circuit parameters) herein is for example only; it is not guaranteed for volume production.
- Upon using the technical information or products described herein, neither warranty nor license shall be granted with regard to intellectual property rights or any other rights of SANYO Semiconductor Co.,Ltd. or any third party. SANYO Semiconductor Co.,Ltd. shall not be liable for any claim or suits with regard to a third party's intellectual property rights which has resulted from the use of the technical information and products mentioned above.

This catalog provides information as of October, 2010. Specifications and information herein are subject to change without notice.