

1530 High Power Fiber Coupled Laser

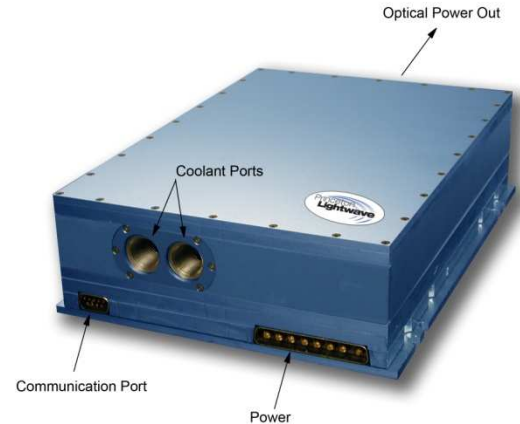
Princeton Lightwave’s 1530 nm pump laser module features an advanced MQW chip design, innovative opto-mechanical packaging and high brightness. High optical power output is delivered in a 400µm fiber. This product offering is ideal for medical and defense applications.

Features

- High Power – 150W
- 1530 nm Wavelength
- Detachable Fiber
- Red Pilot Laser Option
- Narrow Spectrum Option

Applications

- Medical
- Defense
- Material Processing
- Solid State Laser Pumping



ELECTRO-OPTICAL SPECIFICATIONS

Parameter	Symbol	Min	Typ	Max	Units
Fiber Coupled Output Power	Pf	150	170	-	W
Fiber Core Diameter	D		400		µm
Fiber NA	NA		0.22		
Output Connector			SMA		
Forward Drive Current	If _{OP}	-	14	-	A
Forward Voltage ¹⁾	Vf	-	50	-	V
Center Wavelength	λ _c	1515	1530	1545	nm
Spectral Width	Δλ		16	20	nm
Operating Temperature	T _{op}		20		°C
Water Flow	FI		2		l/min
Module size		240x180x70			mm

Notes:

- 1) Can be configured as 4 independent channels with operating voltage ≈12.5V.

MECHANICAL SPECIFICATIONS

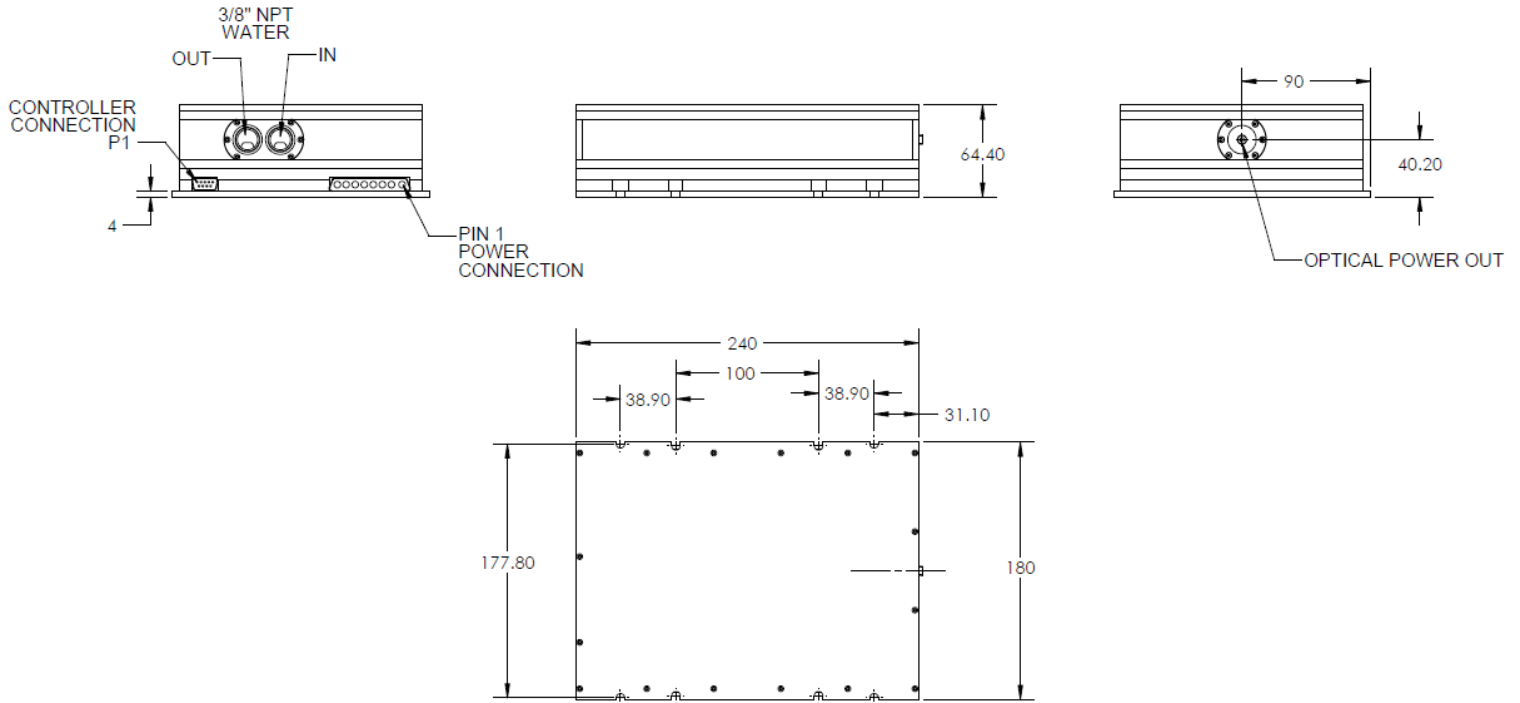


Table 1 Power Connector Pinout

Pin#	Function	Name
1	Section A Cathode	SectA-
2	Section A Anode	SectA+
3	Section B Cathode	SectB-
4	Section B Anode	SectB+
5	Section C Cathode	SectC-
6	Section C Anode	SectC+
7	Section D Cathode	SectD-
8	Section D Anode	SectD+

Table 2 Control Connector Pinout

Pin#	Function	Name	
1,6	Pilot Laser Anode	PL+	Optional
2	Pilot Laser Cathode	PL-	Optional
3	Thermistor	Tr1	
4	Thermistor	Tr2	
5	Fiber sensor	FS1	Optional
7	Reserved		
8	Reserved		
9	Fiber sensor	FS2	Optional