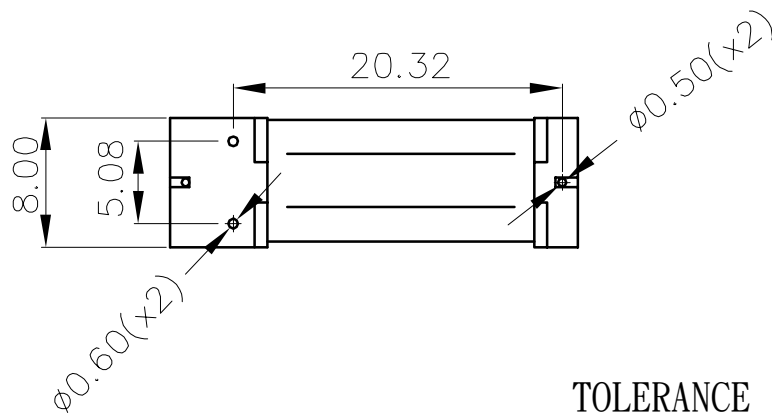
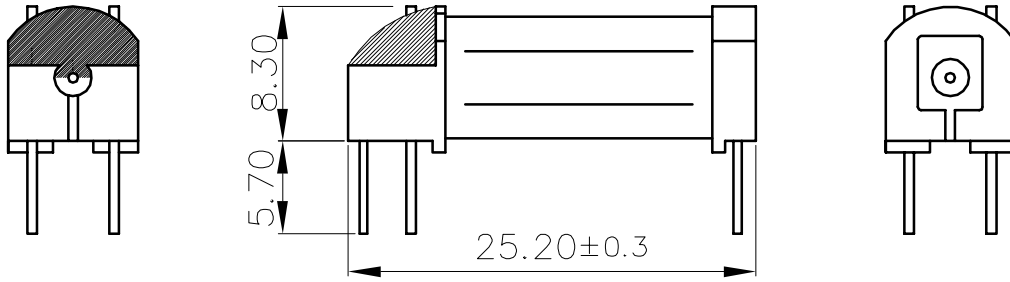


# PRODUCT SPECIFICATION

DATE: 12/04/'03

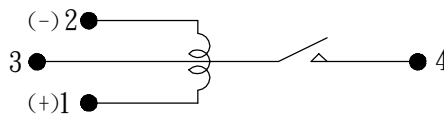
COSMO ELECTRONICS CORPORATION	REED RELAY: CG1A060000	NO. 50R27003	REV. 1
		SHEET 1 OF 2	

## 1. OUTSIDE DIMENSION : UNIT ( mm )



TOLERANCE : ± 0.2mm

## 2. SCHEMATIC : TOP VIEW



# PRODUCT SPECIFICATION

DATE: 12/04/' 03

<b>COSMO</b> ELECTRONICS CORPORATION	REED RELAY: <b>CG1A060000</b>	NO. 50R27003	REV. 1
		SHEET 2 OF 2	

### 3.0 COIL RATINGS: (AT 20°C)

3.1 Coil resistance	250 $\Omega$ ( $\pm 10\%$ )
3.2 Nominal coil current	6 VDC
3.3 Maximum Continuous voltage	9.6 VDC
3.4 Must operate	4.2 VDC
3.5 Must release	0.6 VDC
3.6 Rated current	24 mA

### 4.0 ELECTRICAL CHARACTERISTICS:

4.1 Contact resistance	150 m $\Omega$ (max)
4.2 Operate time	1.0 ms (max)
4.3 Bounce time	0.5 ms (max)
4.4 Release time	0.5 ms (max)
4.5 Insulation resistance (100 VDC open contact)	$10^9$ $\Omega$ (min)
	(between coil & contact 500VDC)
4.6 Power	$10^8$ $\Omega$ (min)
	10 VA (max)
4.7 Switching voltage	100 VDC (max)
4.8 Switching current	0.5 A (max)
4.9 Carry current	1.0 A (max)
4.10 Breakdown voltage (across open contact)	200 VDC (1sec)
	(between coil & contact)
	3000 VDC (1sec)
4.11 Life expectancy (6V, 10mA)	$10^7$
4.12 Temperature Range	-30 to 60°C
4.13 Humidity Range	-45 to 85% RH.
4.14 Shock Endurance	100G (Min)
4.15 Shock Error Operation	13G (Min)
4.16 Vibration Endurance	10 to 55HZ Double Amplitude 1.5mm
4.17 Vibration Error Operation	10 to 55HZ Double Amplitude 1.5mm
4.18 Minimum permissible load	1VDC, 1mA