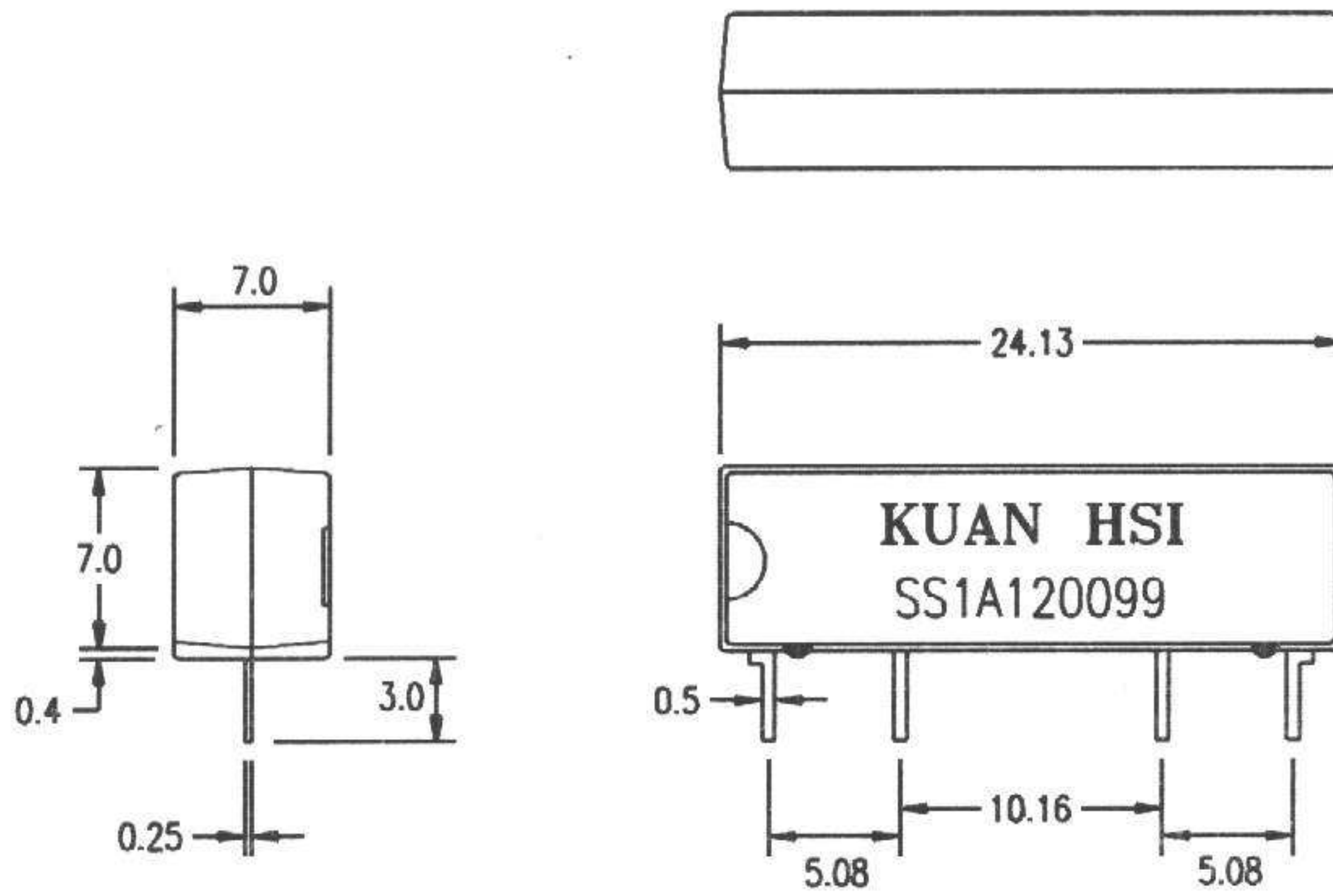


PRODUCT SPECIFICATION

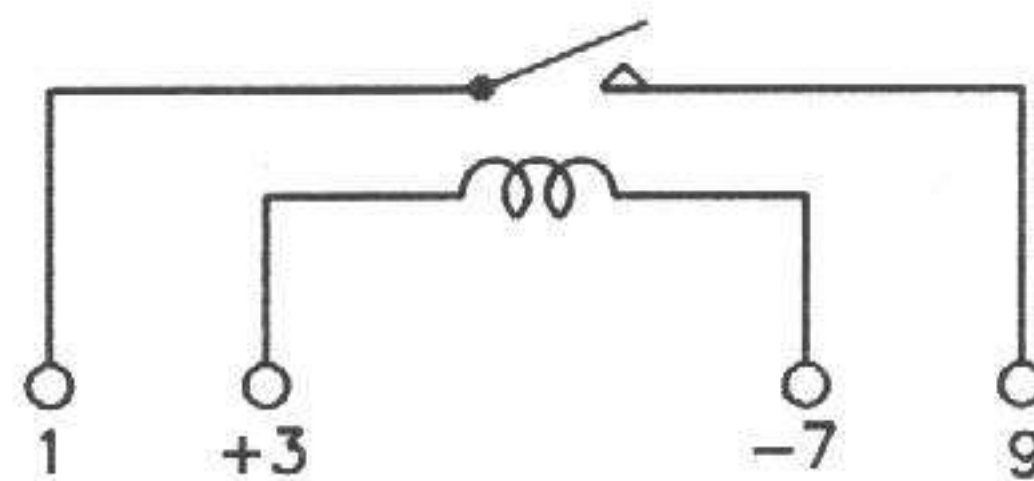
DATE: 07/18/96

KUAN HSI ELECTRONICS CO.,LTD.	Reed Relay : SS1A120099	NO. 50R06015	REV.
		SHEET 1 OF 2	1

1. OUTSIDE DIMENSION : UNIT (mm)



2. SCHEMATIC : TOP VIEW



ISSUE <i>Jacky Wang</i> 7-18-1996	CHECK <i>Alan Lai</i> 7-18-1996	APPROVED <i>C.C.W.</i> 7-19-1996
--------------------------------------	------------------------------------	-------------------------------------

PRODUCT SPECIFICATION

DATE: 07/18/96'

KUAN HSI ELECTRONICS CO.,LTD.	Reed Relay : SS1A120099	NO. 50R06015	REV.
		SHEET 2 OF 2	/

3.0 COIL RATINGS: (AT 20°C)

3.1	Coil resistance	3000	(Ω ± 10%)
3.2	Nominal coil voltage	12	(VDC)
3.3	Maximun Continuous voltage	28	(VDC)
3.4	Must operate	9	(VDC)
3.5	Must release	1.2	(VDC)
3.6	Rated current	4	(mA)

4.0 ELECTRONICAL CHARACTERISTICS :

4.1	Contact resistance (2V 100mA)	100	(mΩ max)
4.2	Operate time	0.5	(mS max)
4.3	Bounce time	0.5	(mS max)
4.4	Release time	0.2	(mS max)
4.5	Insulation resistance (100 VDC open contact)	10 ¹¹	(Ω min)
4.6	Power	10	(VA max)
4.7	Switching voltage	200	(VDC max)
4.8	Switching current	0.5	(A max)
4.9	Carry current	1.0	(A max)
4.10	Breakdown voltage (across open contact)	250	(VDC min)
	(between coil & contact)	2500	(VDC min)
4.11	Life expectancy (signal level)	10 ⁸	
4.12	Operating temp.	-40	to 85°C
4.13	Storage temp.	-50	to 125°C
4.14	Resonant frequency	3.5	(KHZ)
4.15	Vibration (10 - 2000 HZ)	20	(g max)
4.16	Minimum permissible load	100mVDC X 10uA	

ISSUE <i>Jacky Wang</i> 7-18-1996	CHECK <i>Alan Lin</i> 7-18-1996	APPROVED <i>C. C. Wang</i> 7-19-1996
---	--	--