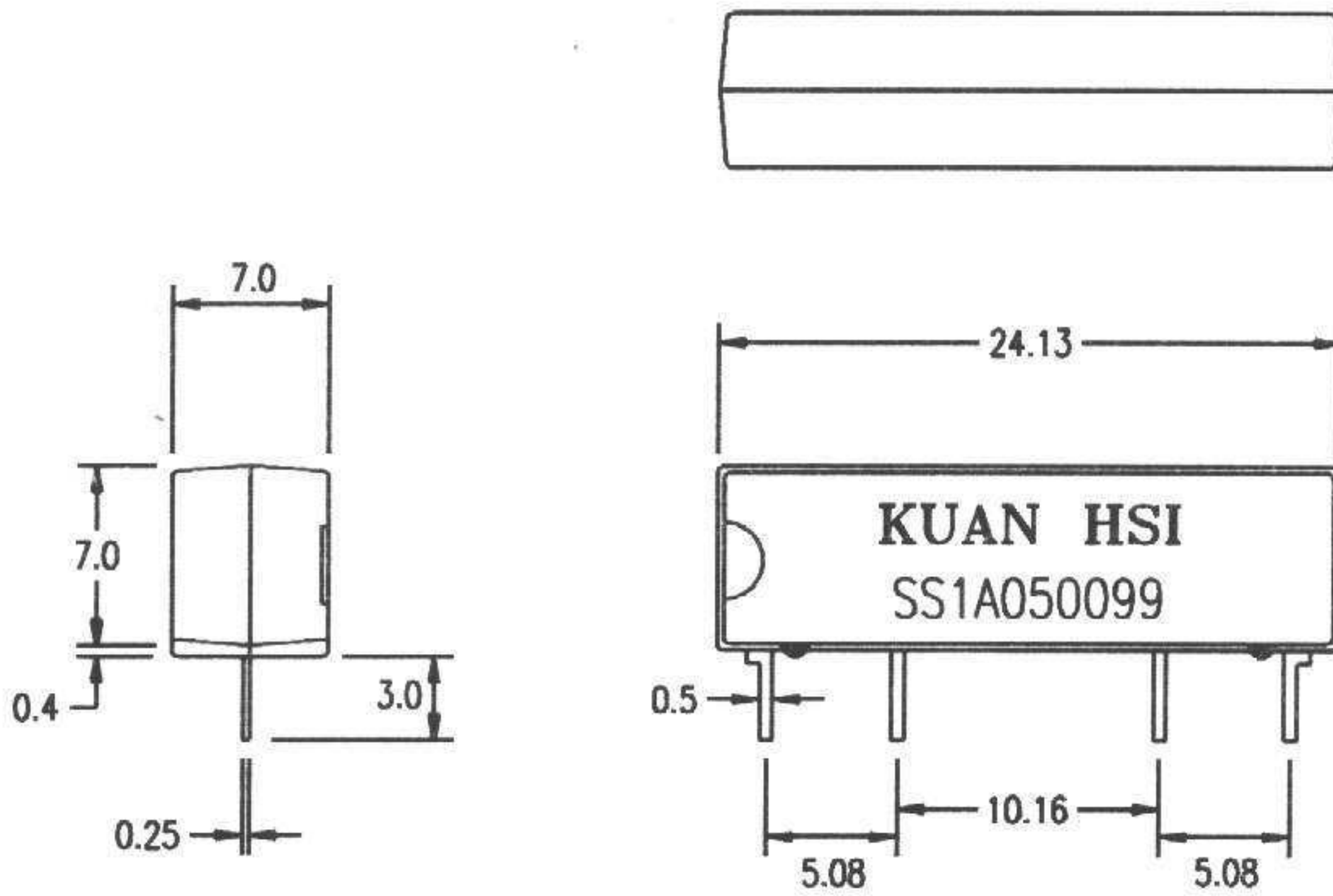


# PRODUCT SPECIFICATION

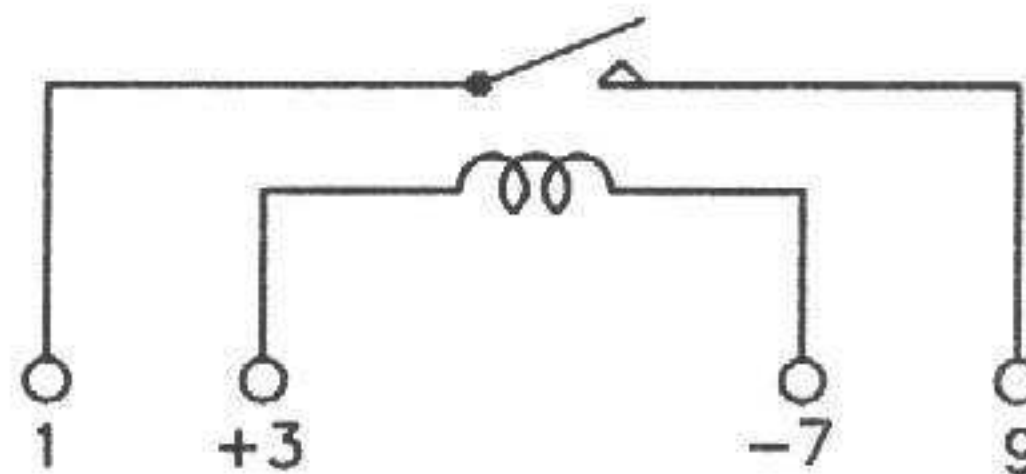
DATE: 07/18/96'

|   |                            |              |      |
|---|----------------------------|--------------|------|
| <b>KUAN HSI</b><br>ELECTRONICS CO.,LTD. | Reed Relay :<br>SS1A050099 | NO. 50R06013 | REV. |
|   |                            | SHEET 1 OF 2 | 1    |

1. OUTSIDE DIMENSION : UNIT ( mm )



2. SCHEMATIC : TOP VIEW



|                                      |                                    |                                     |
|--------------------------------------|------------------------------------|-------------------------------------|
| ISSUE <i>Jacky Wang</i><br>2-18-1996 | CHECK <i>Alan Lin</i><br>2-18-1996 | APPROVED <i>C.C.C.</i><br>2-19-1996 |
|--------------------------------------|------------------------------------|-------------------------------------|

# PRODUCT SPECIFICATION

DATE: 07/18/96'

|  |                            |              |              |
|--|----------------------------|--------------|--------------|
| <b>KUAN HSI</b><br><b>ELECTRONICS CO.,LTD.</b> | Reed Relay :<br>SS1A050099 | NO. 50R06013 | REV.<br>/    |
|  |                            |              | SHEET 2 OF 2 |

3.0 COIL RATINGS: (AT 20°C)

|     |                            |      |           |
|-----|----------------------------|------|-----------|
| 3.1 | Coil resistance            | 1000 | (Ω ± 10%) |
| 3.2 | Nominal coil voltage       | 5    | (VDC)     |
| 3.3 | Maximun Continuous voltage | 10   | (VDC)     |
| 3.4 | Must operate               | 3.75 | (VDC)     |
| 3.5 | Must release               | 1.0  | (VDC)     |
| 3.6 | Rated current              | 5    | (mA)      |

4.0 ELECTRONICAL CHARACTERISTICS :

|      |  |                  |           |
|------|--|------------------|-----------|
| 4.1  | Contact resistance ( 2V 100mA )              | 100              | (mΩ max)  |
| 4.2  | Operate time                                 | 0.5              | (mS max)  |
| 4.3  | Bounce time                                  | 0.5              | (mS max)  |
| 4.4  | Release time                                 | 0.2              | (mS max)  |
| 4.5  | Insulation resistance (100 VDC open contact) | 10 <sup>11</sup> | (Ω min)   |
| 4.6  | Power  | 10               | (VA max)  |
| 4.7  | Switching voltage                            | 200              | (VDC max) |
| 4.8  | Switching current                            | 0.5              | (A max)   |
| 4.9  | Carry current                                | 1.0              | (A max)   |
| 4.10 | Breakdown voltage (across open contact)      | 250              | (VDC min) |
|      | (between coil & contact)                     | 2500             | (VDC min) |
| 4.11 | Life expectancy (signal level)               | 10 <sup>8</sup>  |           |
| 4.12 | Operating temp.                              | -40              | to 85°C   |
| 4.13 | Storage temp.                                | -50              | to 125°C  |
| 4.14 | Resonant frequency                           | 3.5              | (KHZ)     |
| 4.15 | Vibration (10 - 2000 HZ)                     | 20               | (g max)   |
| 4.16 | Minimum permissible load                     | 100mVDC X 10uA   |           |

|                                      |                                    |                                     |
|--------------------------------------|------------------------------------|-------------------------------------|
| ISSUE <i>Jacky Wang</i><br>7-18-1996 | CHECK <i>Alan Liu</i><br>7-18-1996 | APPROVED <i>C.C.W.</i><br>7-19-1996 |
|--------------------------------------|------------------------------------|-------------------------------------|