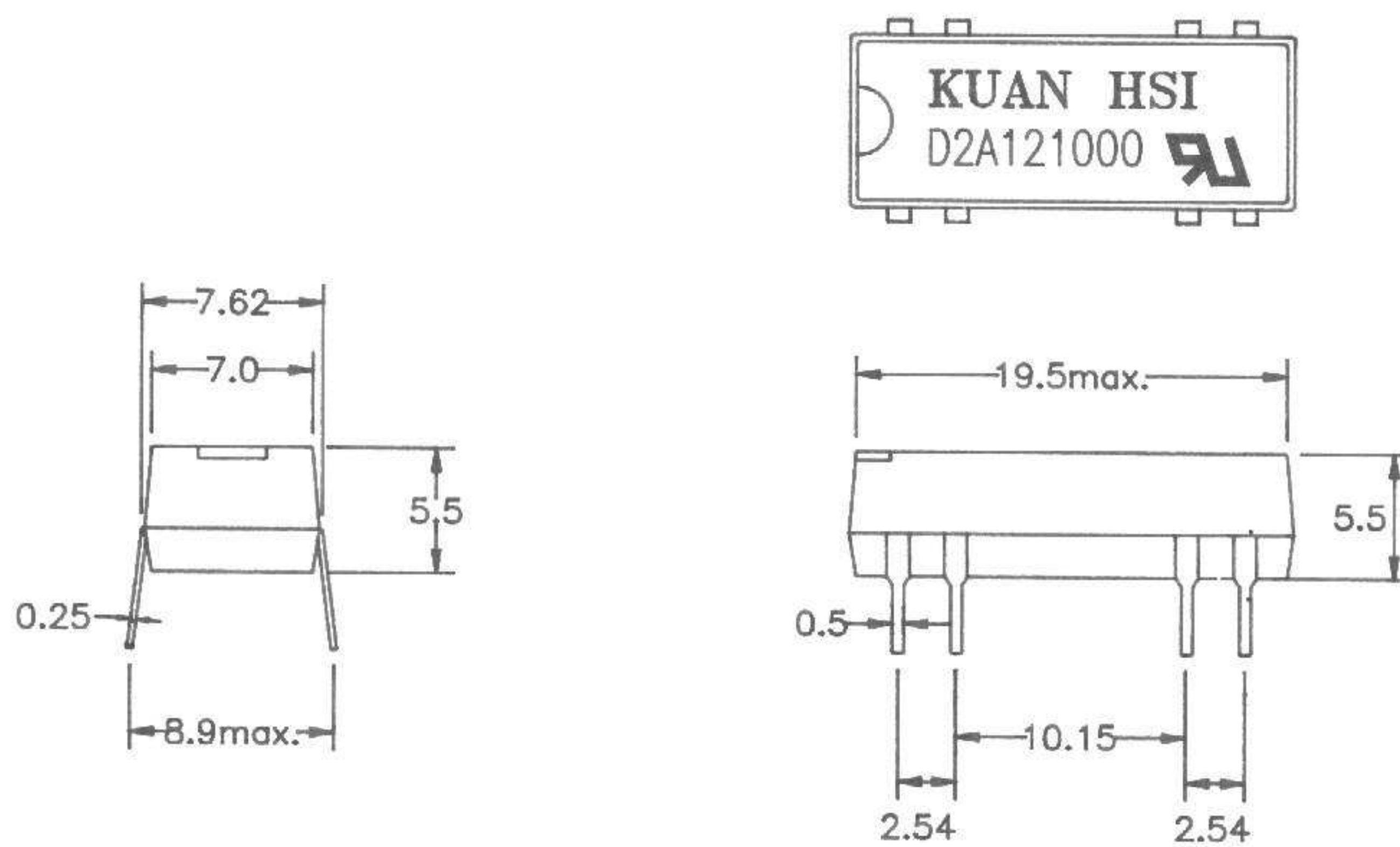


PRODUCT SPECIFICATION

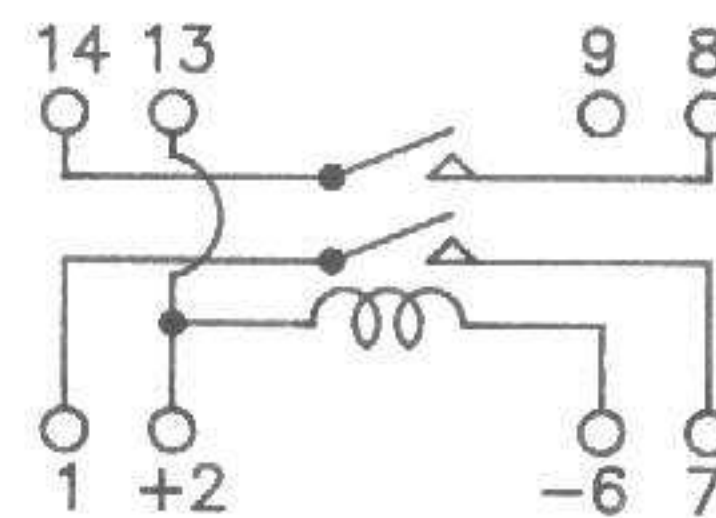
DATE: /05/04/93'

KUAN HSI ELECTRONIC CO.,LTD.	Reed Relay : D2A121000	NO. 50R02014	REV.
		SHEET 1 OF 2	/

1. OUTSIDE DIMENSION : UNIT (mm)



2. SCHEMATIC : TOP VIEW



ISSUE <i>SAM YIIN</i> 5-4-1993	CHECK <i>David Wang</i> 5-4-1993	APPROVED <i>EJENG Wang</i> 5-5-1993
--------------------------------------	--	---

PRODUCT SPECIFICATION

DATE: 05/04/93'

KUAN HSI ELECTRONIC CO.,LTD.	Reed Relay : D2A121000	NO. 50R02014 SHEET 2 OF 2	REV. /
--	---------------------------	------------------------------	-----------

3.0 COIL RATINGS: (AT 20°C)

3.1	Coil resistance	500	($\Omega \pm 10\%$)
3.2	Nominal coil voltage	12	(VDC)
3.3	Maximun Continuous voltage	20	(VDC)
3.4	Must operate	9	(VDC)
3.5	Must release	1.2	(VDC)
3.6	Rated current	24	(mA)

4.0 ELECTRONICAL CHARACTERISTICS :

4.1	Contact resistance	100	(m Ω max)
4.2	Operate time	0.5	(mS max)
4.3	Bounce time	0.5	(mS max)
4.4	Release time	0.2	(mS max)
4.5	Insulation resistance (100 VDC open contact)	11 10	(Ω min)
4.6	Power	10	(VA max)
4.7	Switching voltage	200	(VDC max)
4.8	Switching current	0.5	(A max)
4.9	Carry current	1.0	(A max)
4.10	Breakdown voltage (across open contact)	250	(VDC min)
	(between coil & contact)	500	(VDC min)
4.11	Life expectancy (signal level)	8 10	
4.12	Operating temp.	-40	to 85°C
4.13	Storage temp.	-50	to 125°C
4.14	Resonant frequency	3.5	(KHZ)
4.15	Vibration (10 - 2000 HZ)	20	(g max)
4.16	Minimun permissible load	100mVDC X 10uA	

ISSUE SAM YIIN. <i>5-4-1993</i>	CHECK <i>David Wang 74</i> <i>5-4-1993</i>	APPROVED EUGENE HONG <i>5-5-1993</i>
---------------------------------------	--	--