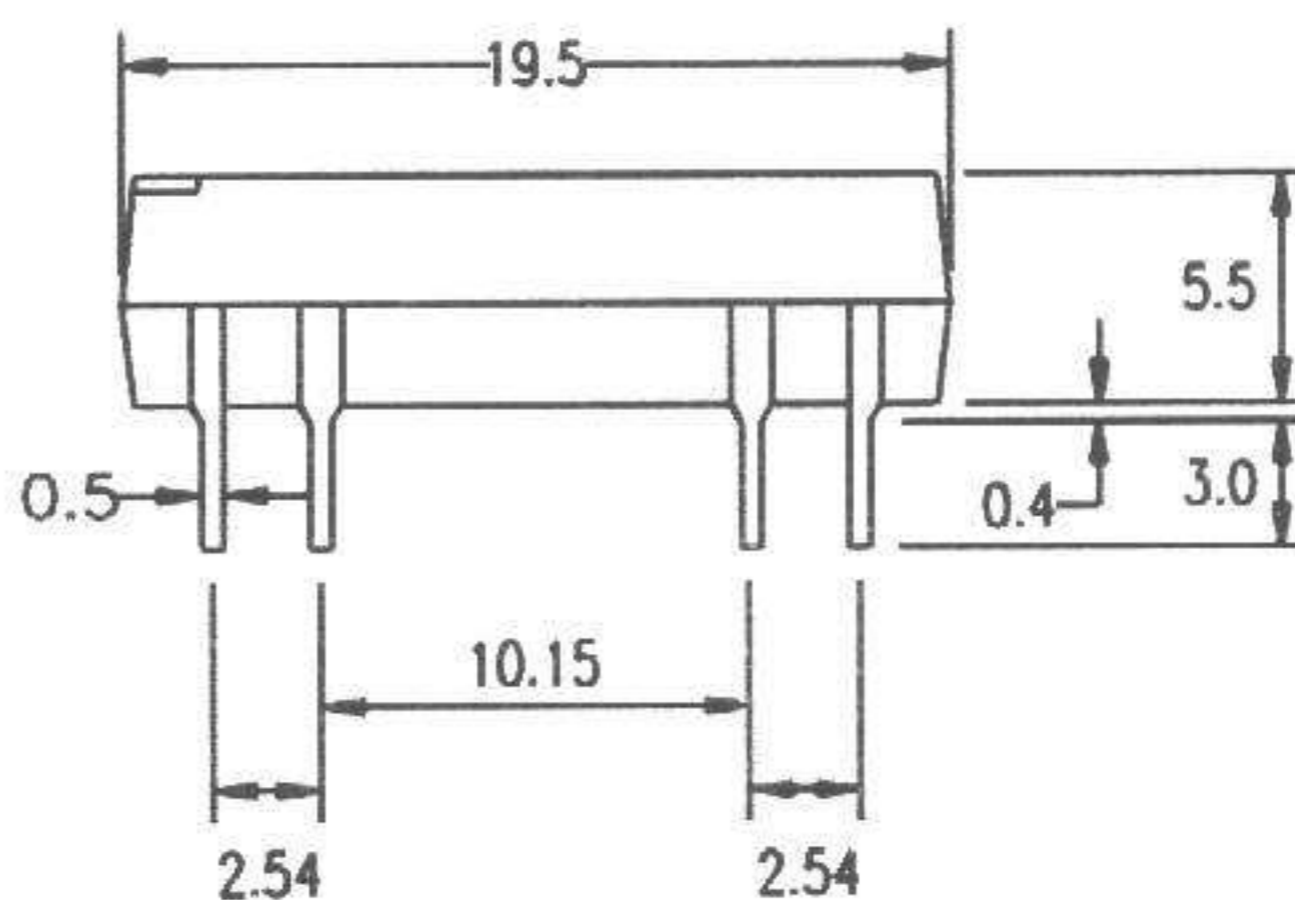
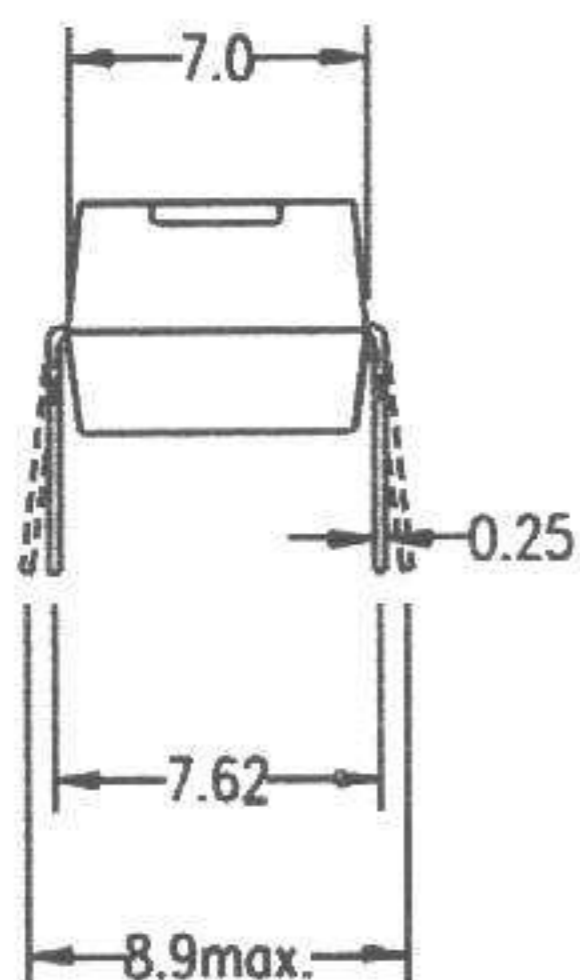
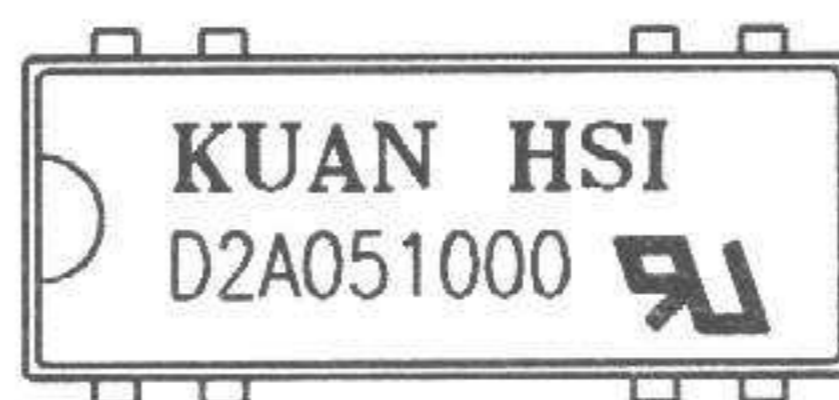


PRODUCT SPECIFICATION

DATE: 05/11/94'

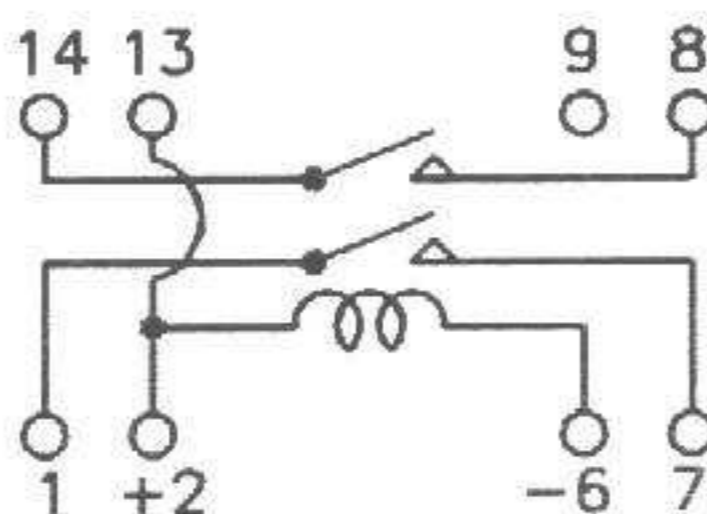
| | | | |
|----------------------------------|---------------------------|--------------|------|
| KUAN HSI ELECTRONICS CO.,LTD. | Reed Relay : D2A051000 | NO. 50R02013 | REV. |
| | | SHEET 1 OF 2 | 1 |

1. OUTSIDE DIMENSION : UNIT (mm)



TOLERANCE : $\pm 0.1\text{mm}$

2. SCHEMATIC : TOP VIEW



ISSUE

Jacky Wang
5-11-1994

CHECK

Alan Lai
5-12-1994

APPROVED

C. C. ...
5-13-1994

PRODUCT SPECIFICATION

DATE: 05/11/94'

| | | | |
|---|--------------------------------------|--------------|------|
| KUAN HSI ELECTRONICS CO.,LTD. | Reed Relay : D2A051000 | NO. 50R02013 | REV. |
| | | SHEET 2 OF 2 | 1 |

3.0 COIL RATINGS: (AT 20°C)

| | | | |
|-----|----------------------------|------|-----------------------|
| 3.1 | Coil resistance | 140 | ($\Omega \pm 10\%$) |
| 3.2 | Nominal coil voltage | 5 | (VDC) |
| 3.3 | Maximum Continuous voltage | 10 | (VDC) |
| 3.4 | Must operate | 3.75 | (VDC) |
| 3.5 | Must release | 1.0 | (VDC) |
| 3.6 | Rated current | 35.7 | (mA) |

4.0 ELECTRICAL CHARACTERISTICS :

| | | | |
|------|--|------------------|------------------|
| 4.1 | Contact resistance | 100 | (m Ω max) |
| 4.2 | Operate time | 0.5 | (mS max) |
| 4.3 | Bounce time | 0.5 | (mS max) |
| 4.4 | Release time | 0.2 | (mS max) |
| 4.5 | Insulation resistance (100 VDC open contact) | 10 ¹¹ | (Ω min) |
| 4.6 | Power | 10 | (VA max) |
| 4.7 | Switching voltage | 200 | (VDC max) |
| 4.8 | Switching current | 0.5 | (A max) |
| 4.9 | Carry current | 1.0 | (A max) |
| 4.10 | Breakdown voltage (across open contact) | 250 | (VDC min) |
| | (between coil & contact) | 500 | (VDC min) |
| 4.11 | Life expectancy (signal level) | 10 ⁸ | |
| 4.12 | Operating temp. | -40 | to 85°C |
| 4.13 | Storage temp. | -50 | to 125°C |
| 4.14 | Resonant frequency | 3.5 | (KHZ) |
| 4.15 | Vibration (10 - 2000 HZ) | 20 | (g max) |
| 4.16 | Minimum permissible load | 100 | mVDC 10uA |

| | | |
|--|--|----------------------------|
| ISSUE <i>Jacky Wang</i> 5-11-94 | CHECK <i>Alan</i> <i>Sai</i> 5-12-94 | APPROVED 5-13-94 |
|--|--|----------------------------|