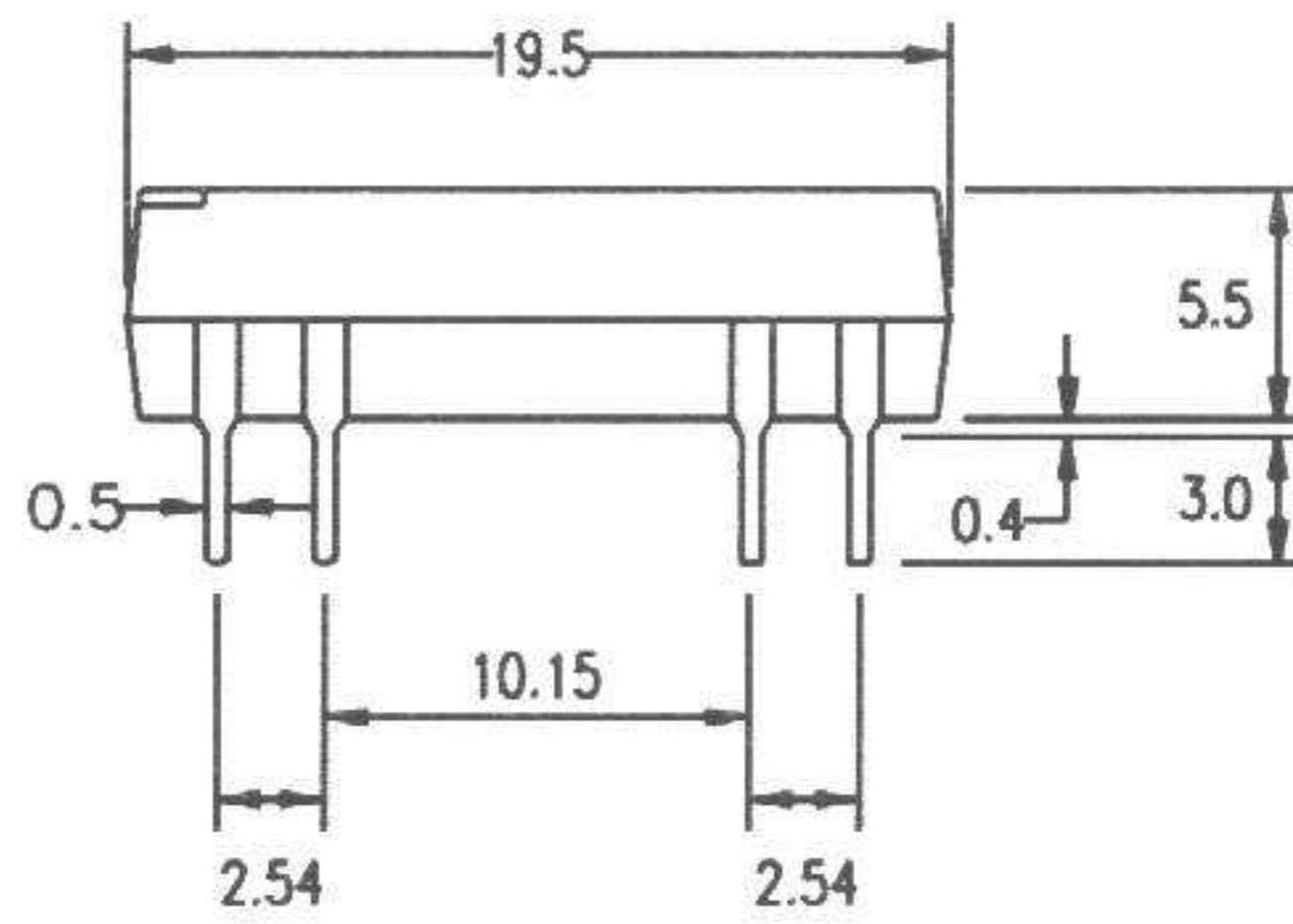
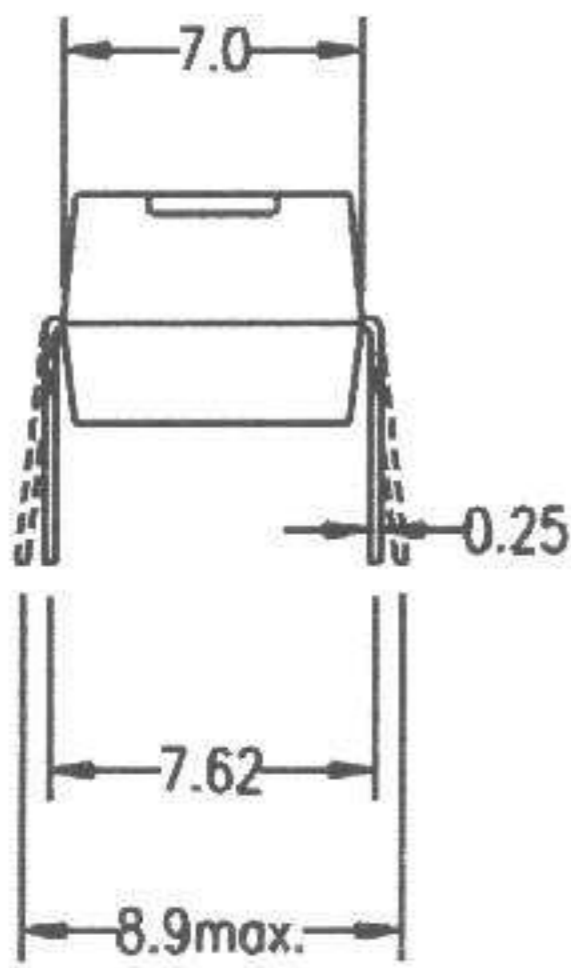
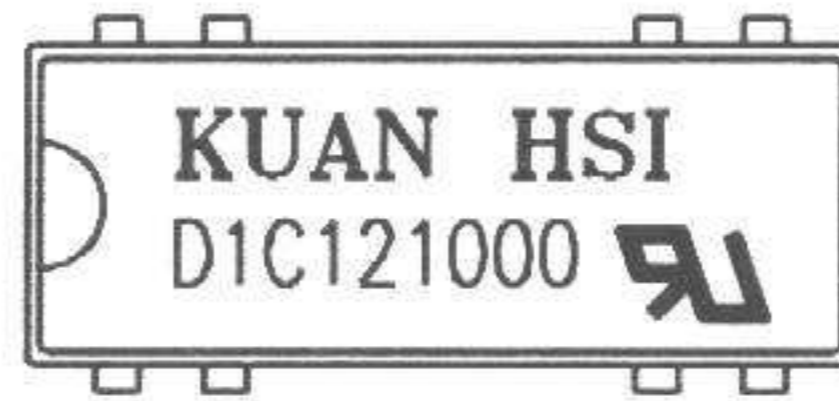


# PRODUCT SPECIFICATION

DATE: 05/12/94'

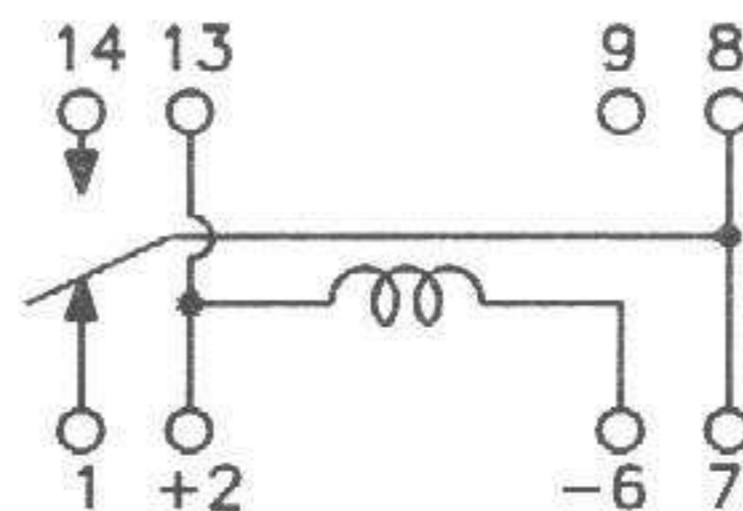
<b>KUAN HSI</b> ELECTRONICS CO.,LTD.	Reed Relay : D1C121000	NO. 50R02020	REV.
		SHEET 1 OF 2	1

1. OUTSIDE DIMENSION : UNIT ( mm )



TOLERANCE :  $\pm 0.1\text{mm}$

2. SCHEMATIC : TOP VIEW



ISSUE *Jacky Wong*  
5-12-1994

CHECK *Allen Lau*  
5-12-1994

APPROVED *[Signature]*  
5-13-1994

# PRODUCT SPECIFICATION

DATE: 05/12/94'

<b>KUAN HSI</b> ELECTRONICS CO.,LTD.	<b>Reed Relay :</b>  D1C121000	NO. 50R02020	REV.
		SHEET 2 OF 2	1

3.0 COIL RATINGS: (AT 20°C)

3.1	Coil resistance	500	( $\Omega \pm 10\%$ )
3.2	Nominal coil voltage	12	(VDC)
3.3	Maximum Continuous voltage	20	(VDC)
3.4	Must operate	9	(VDC)
3.5	Must release	1.2	(VDC)
3.6	Rated current	24	( mA )

4.0 ELECTRONICAL CHARACTERISTICS :

4.1	Contact resistance	150	( m $\Omega$ max )
4.2	Operate time	1.0	( mS max )
4.3	Bounce time	2.0	( mS max )
4.4	Release time	0.2	( mS max )
4.5	Insulation resistance (100 VDC open contact)	10 <sup>11</sup>	( $\Omega$ min )
4.6	Power	3	( VA max )
4.7	Switching voltage	100	( VDC max )
4.8	Switching current	0.25	( A max )
4.9	Carry current	0.5	( A max )
4.10	Breakdown voltage (across open contact)	200	( VDC min )
	(between coil & contact)	500	( VDC min )
4.11	Life expectancy (signal level)	5X10 <sup>7</sup>	
4.12	Operating temp.	-40	to 85°C
4.13	Storage temp.	-50	to 125°C
4.14	Resonant frequency	3.5	( KHZ )
4.15	Vibration (10 - 2000 HZ)	20	( g max )
4.16	Minimum permissible load	100mVDC	10uA

ISSUE <i>Jacky Wong</i>	CHECK <i>Alan Sai</i> 5-12-1994	APPROVED <i>C.C.M.</i> 5-13-1994
-------------------------	------------------------------------	-------------------------------------