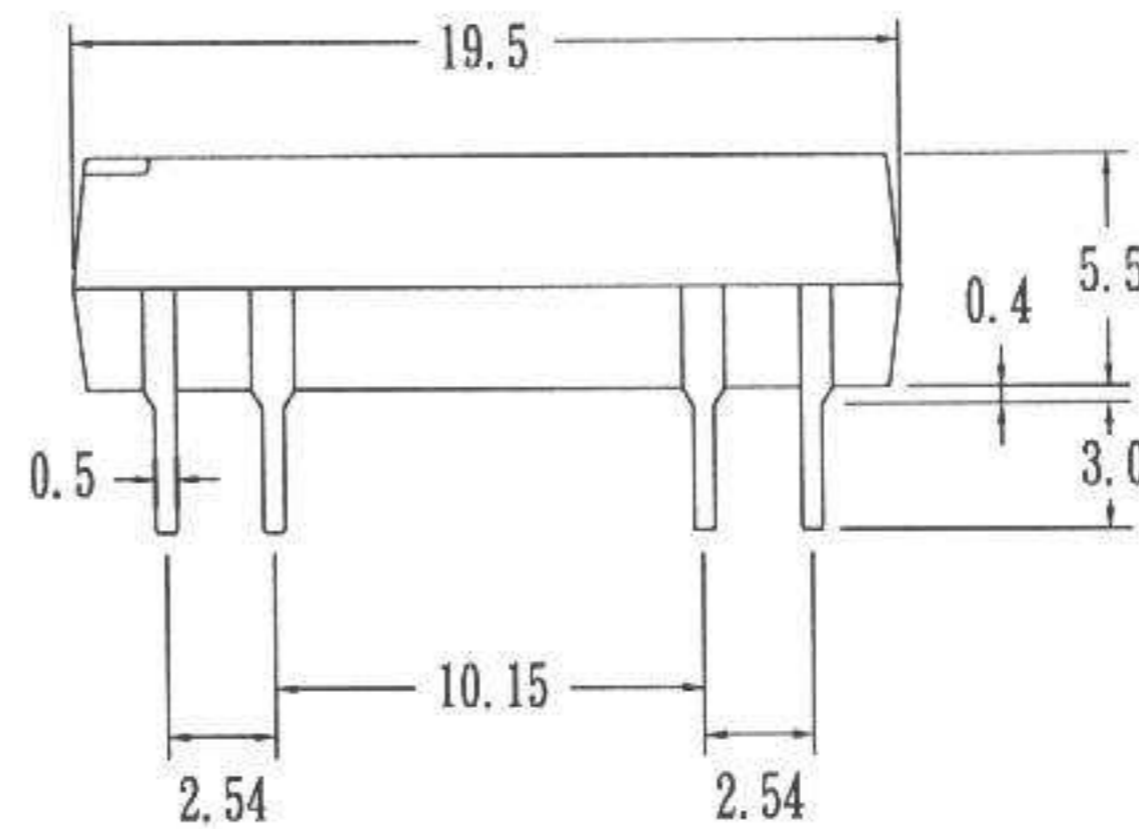
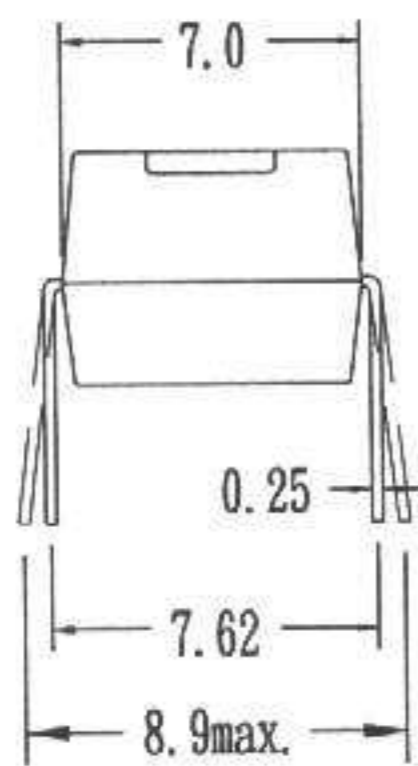


# PRODUCT SPECIFICATION

DATE: 03/26/00'

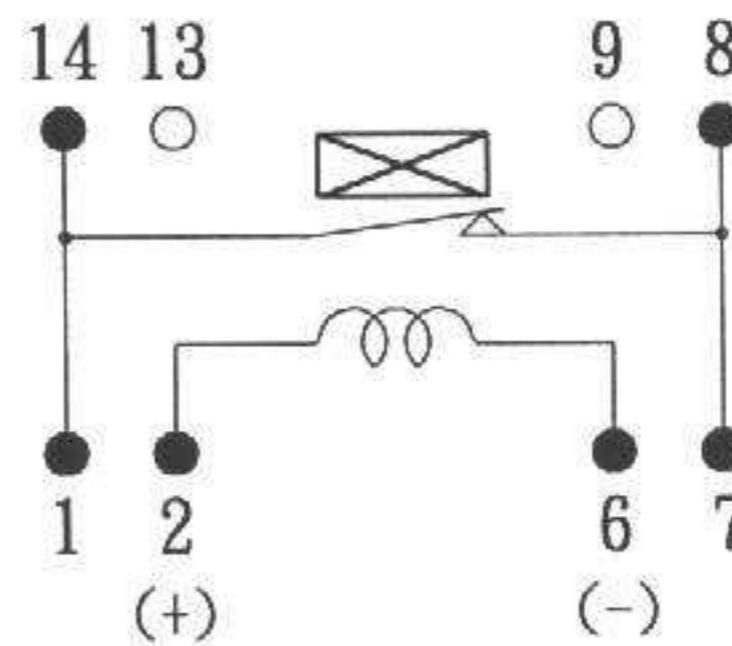
<b>COSMO</b> ELECTRONICS CORPORATION	REED RELAY: <b>D1B050000</b>	NO. 50R01007	REV. 2
		SHEET 1 OF 2	

## 1. OUTSIDE DIMENSION : UNIT ( mm )



TOLERANCE :  $\pm 0.1\text{mm}$

## 2. SCHEMATIC : TOP VIEW



ISSUE

Dean. Yu.  
03-28-00

CHECK

Allen Lai 03-29-00

APPROVED

Stan Hsu 4-1-00

# PRODUCT SPECIFICATION

DATE: 03/26/00'

<b>COSMO</b> ELECTRONICS CORPORATION	REED RELAY: <b>D1B050000</b>	NO. 50R01007 SHEET 2 OF 2	REV. 2
---	---------------------------------	------------------------------	-----------

3.0 COIL RATINGS: (AT 20°C)

3.1 Coil resistance	500	Ω	(±10%)
3.2 Nominal coil current	5	VDC	
3.3 Maximum Continuous voltage	7	VDC	
3.4 Must operate	3.75	VDC	
3.5 Must release	1.0	VDC	
3.6 Rated current	10	mA	

4.0 ELECTRONICAL CHARACTERISTICS:

4.1 Contact resistance	100	mΩ	(max)
4.2 Operate time	0.5	ms	(max)
4.3 Bounce time	0.5	ms	(max)
4.4 Release time	0.2	ms	(max)
4.5 Insulation resistance (100 VDC open contact)	10 <sup>11</sup>	Ω	(min)
4.6 Power	10	VA	(max)
4.7 Switching voltage	200	VDC	(max)
4.8 Switching current	0.5	A	(max)
4.9 Carry current	1.0	A	(max)
4.10 Breakdown voltage (across open contact)	250	VDC	(min)
(between coil & contact)	500	VDC	(min)
4.11 Life expectancy (signal level)	10 <sup>8</sup>		
4.12 Operating temp	-40 to 85°C		
4.13 Storage temp	-50 to 125°C		
4.14 Resonant frequency	3.5	KHZ	
4.15 Vibration (10-2000HZ)	20	g	(max)
4.16 Minimum permissible load	100	mVDC	10uA

ISSUE <i>Dean. Yu.</i> <i>03-28-00</i>	CHECK <i>Alan Lui 03-29-00</i>	APPROVED <i>Stan Hsu 4-1-00</i>
--	-----------------------------------	------------------------------------