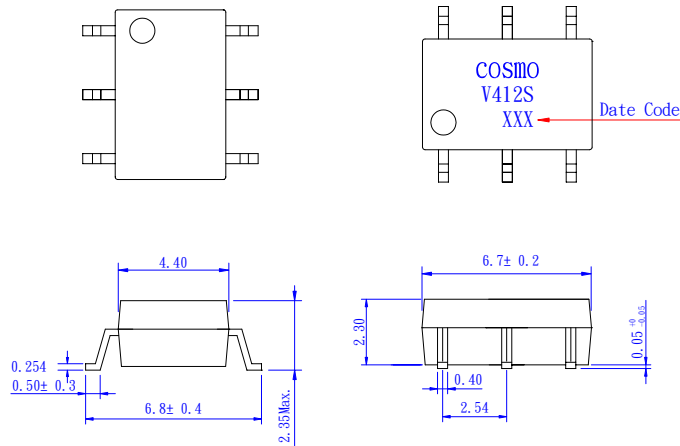


PRODUCT SPECIFICATION

DATE : 09/01/2006

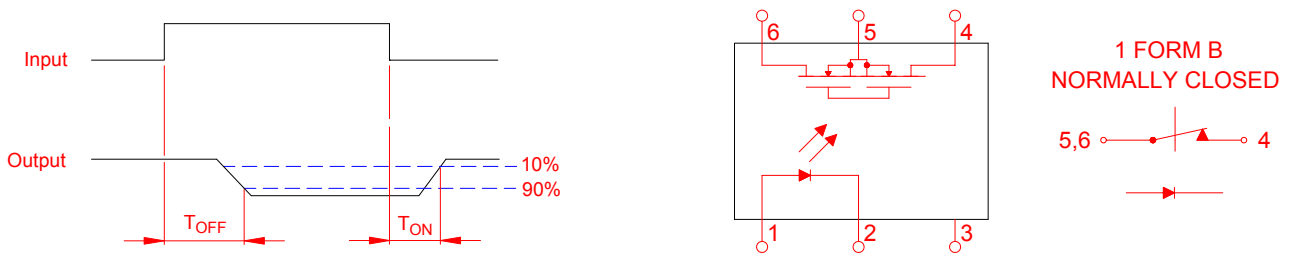
cosmo ELECTRONICS CORPORATION	SOLID STATE RELAY - MOSFET OUTPUT	NO.62M11003	REV. 1
	KAQV412S	SHEET 1 OF 7	

● OUTSIDE DIMENSION :



Unit : mm
Tolerance : ±0.2mm

● Operate/Reverse time



● Absolute Maximum Ratings

(Ta=25°C)

Emitter (Input)	Detector (Output)
Reverse Voltage 5.0V	Output Breakdown Voltage ± 60V
Continuous Forward Current 50mA	Continuous Load Current ± 200mA
Peak Forward Current 1A	Power Dissipation 500mW
Power Dissipation 100mW	
Derate Linearly from 25°C 1.3mW/°C	
General Characteristics	
Isolation Test Voltage 1500VACrms	Storage Temperature Range -40°C to +125°C
Isolation Resistance	Operating Temperature Range ... -40°C to +85°C
Vio=500V, Ta=25°C ≥ 10 ¹⁰ Ω	Junction Temperature 100°C
Total Power Dissipation 550mW	Soldering Temperature ,
Derate Linearly from 25°C 2.5mW/°C	2mm from case , 10 sec 260°C

PRODUCT SPECIFICATION

DATE : 09/01/2006

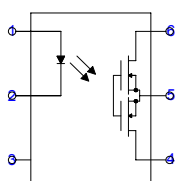
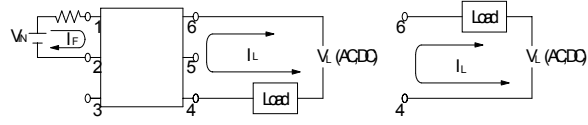
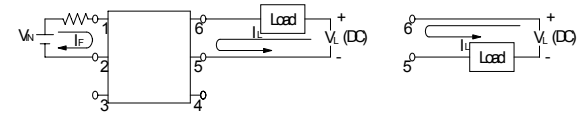
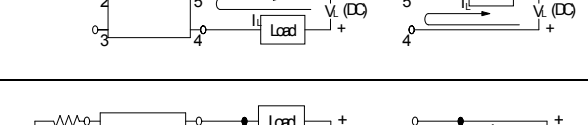
cosmo ELECTRONICS CORPORATION	SOLID STATE RELAY - MOSFET OUTPUT	NO.62M11003	REV.
	KAQV412S	SHEET 2 OF 7	1

● Electro-optical Characteristics

(Ta=25°C)

Parameter	Symbol	Conditions	Min.	Typ.	Max.	Unit.	
Emitter (Input)							
Forward Voltage	V_F	$I_F=10\text{mA}$		1.2	1.5	V	
Operation Input Current	$I_{F\text{OFF}}$	$V_L=\pm 20\text{V}, I_L \leq 5\mu\text{A}$			5.0	mA	
Recovery Input Current	$I_{F\text{on}}$	$V_L=\pm 20\text{V}, I_L \leq 5\mu\text{A}$	0.2			mA	
Detector (Output)							
Output Breakdown Voltage	V_B	$I_B=50\mu\text{A}, I_F=10\text{mA}$	60			V	
Output Off-State Leakage	$I_{T\text{OFF}}$	$V_T=100\text{V}, I_F=0\text{mA}$		0.2	2	μA	
I/O Capacitance	C_{ISO}	$I_F=0, f=1\text{MHz}$		6		pF	
ON Resistance	Connection	A	$I_L=100\text{mA}, I_F=0\text{mA}$		2.5	5	Ω
		B			1.25	2.5	
		C			0.63	1.25	
Turn-On Time	T_{ON}	$I_F=10\text{mA}, V_L=\pm 20\text{V}$		0.6	1.5	ms	
Turn-Off Time	T_{OFF}	$t=10\text{ms}, I_L=\pm 100\text{mA}$		0.3	1.5	ms	

● Schematic and Wiring Diagrams

Schematic	Output Configuration	Load	Connection	Wiring Diagrams
	1b	AC/DC	A	
		DC	B	
			C	

PRODUCT SPECIFICATION

DATE : 09/01/2006

cosmo
ELECTRONICS CORPORATION

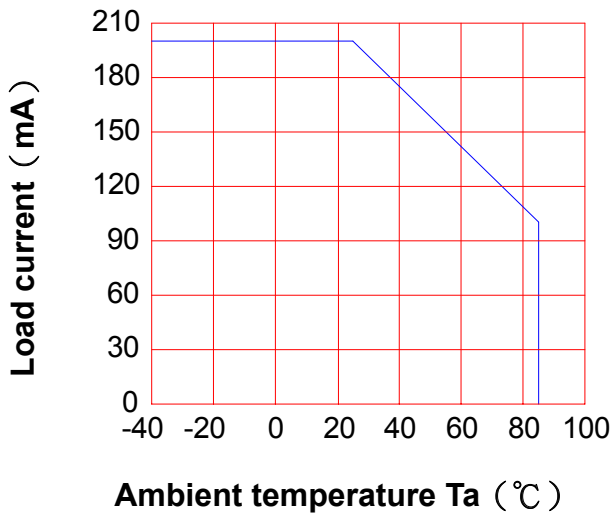
SOLID STATE RELAY - MOSFET OUTPUT
KAQV412S

NO.62M11003
SHEET 3 OF 7

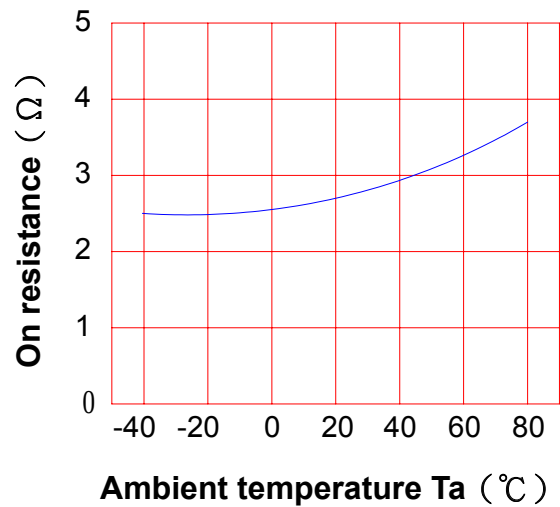
REV.
1

● Data Curve

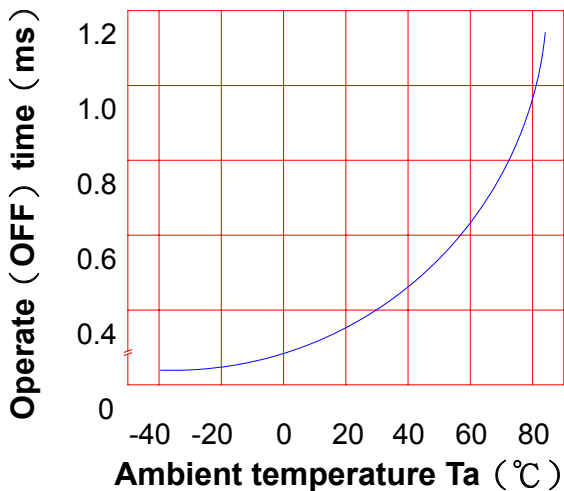
Load current vs. ambient temperature
Allowable ambient Temperature :
-40°C to +85°C



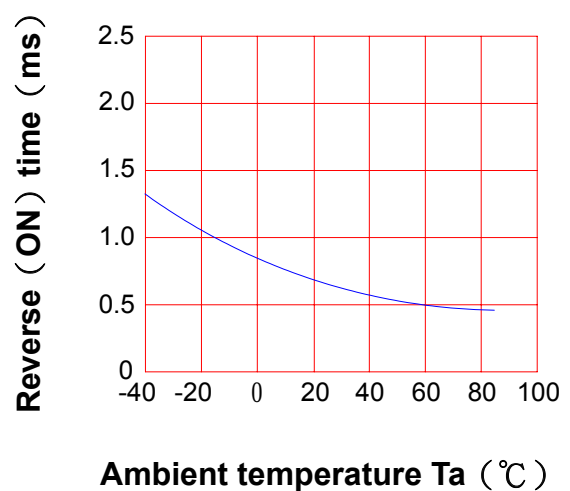
On resistance vs. ambient temperature
across terminals 4 and 6 pin
LED current : 0mA
Continuous load current : 200mA (DC)



Operate (OFF) time vs.
ambient temperature
Load voltage 60V (DC)
LED current : 5mA
Continuous load current : 200mA (DC)



Reverse (ON) time vs.
ambient temperature
Load voltage 60V (DC)
LED current : 5mA
Continuous load current : 200mA (DC)

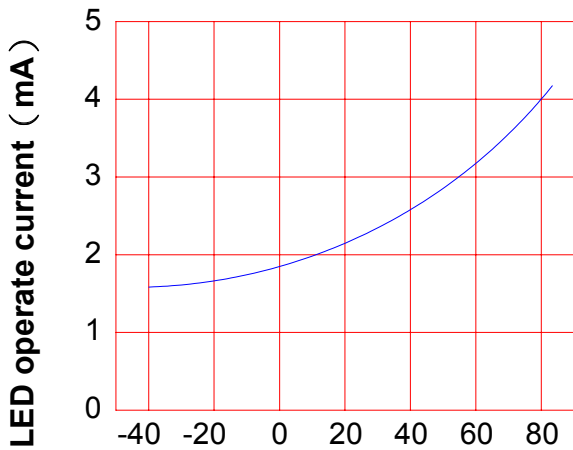


PRODUCT SPECIFICATION

DATE : 09/01/2006

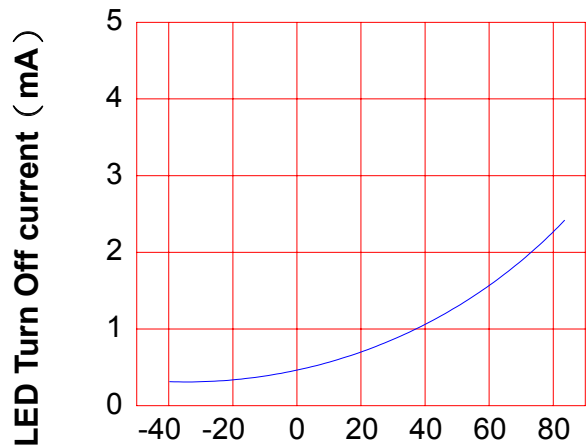
cosmo ELECTRONICS CORPORATION	SOLID STATE RELAY - MOSFET OUTPUT	NO.62M11003	REV. 1
	KAQV412S	SHEET 4 OF 7	

LED operate current vs. ambient temperature
 Load Voltage : 60V (DC)
 Continuous load current : 200mA (DC)



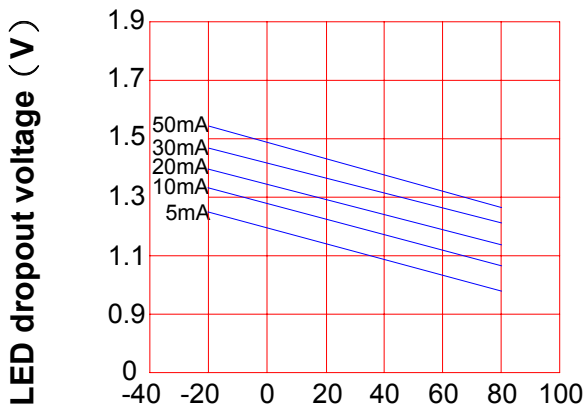
Ambient temperature Ta (°C)

LED Turn Off current vs. ambient temperature
 Load Voltage : 60V (DC)
 Continuous load current : 200mA (DC)



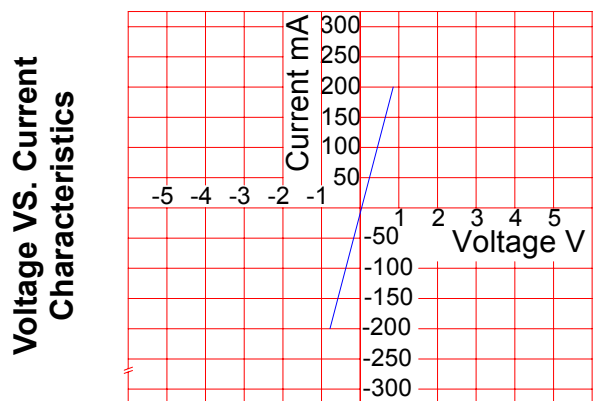
Ambient temperature Ta (°C)

LED dropout voltage vs. ambient temperature
 LED current : 5 to 50mA



Ambient temperature Ta (°C)

Voltage vs. current characteristics of output at MOSFET portion
 Measured portion : across terminals 4 and 6 pin
 Ambient temperature : 25°C



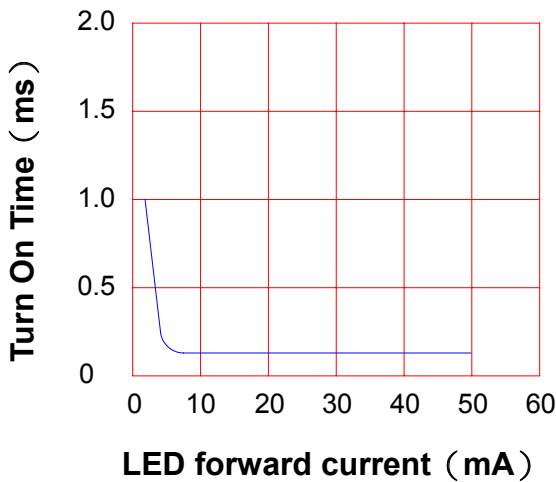
Ambient temperature : 25°C

PRODUCT SPECIFICATION

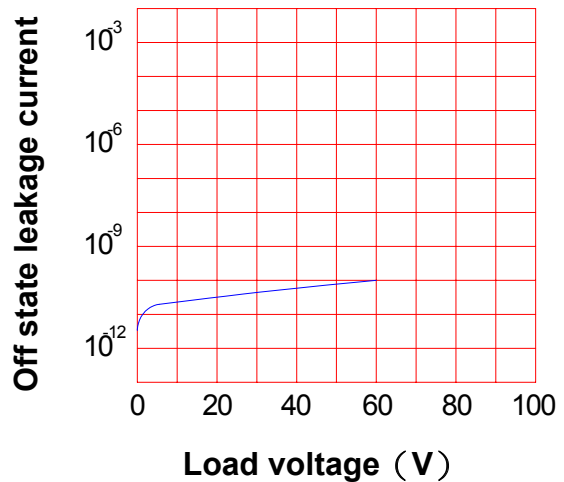
DATE : 09/01/2006

cosmo ELECTRONICS CORPORATION	SOLID STATE RELAY - MOSFET OUTPUT KAQV412S	NO.62M11003	REV. 1
		SHEET 5 OF 7	

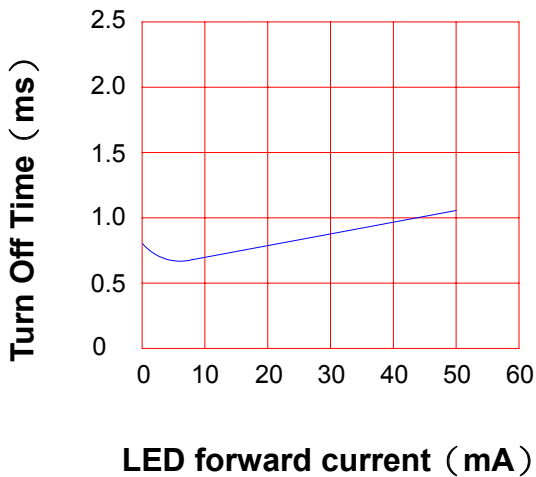
LED forward current vs. Turn On Time
Across terminals 4 and 6 pin
Load voltage : 60V (DC)
Continuous load current : 200mA (DC)
Ambient temperature : 25°C



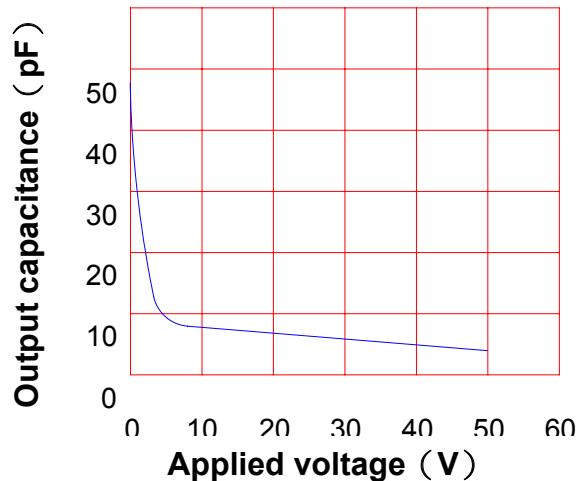
Off state leakage current
Across terminals 4 and 6 pin
Ambient temperature : 25°C



LED forward current vs. reverse(ON) time
Across terminals 4 and 6 pin
Load voltage : 60V (DC)
Continuous load current : 200mA (DC)
Ambient temperature : 25°C



Applied voltage vs. output capacitance
Across terminals 4 and 6 pin
Frequency : 1MHz
Ambient temperature : 25°C



PRODUCT SPECIFICATION

DATE : 09/01/2006

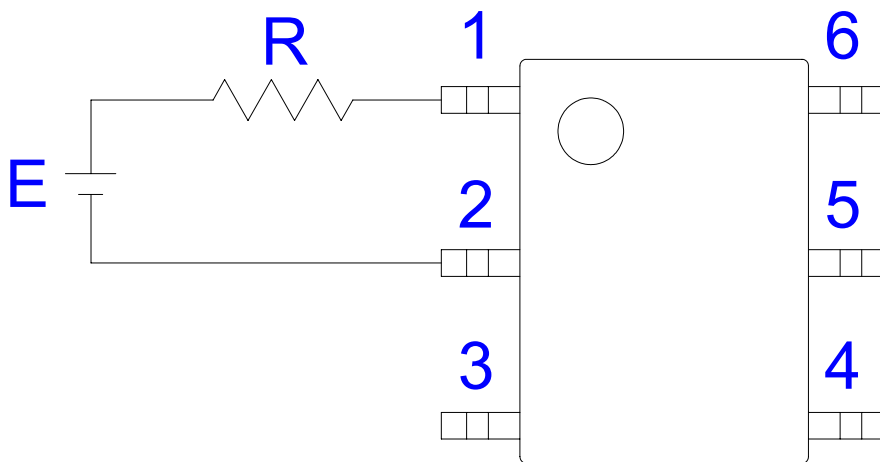
cosmo ELECTRONICS CORPORATION	SOLID STATE RELAY - MOSFET OUTPUT KAQV412S	NO.62M11003	REV. 1
		SHEET 6 OF 7	

● USING METHODS

Examples of resistance value to control LED forward current (I_F)

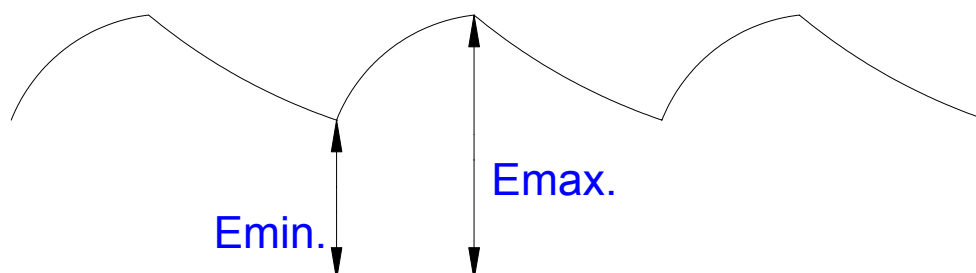
SSR-MOSFET OUTPUT

($I_F=5\text{mA}$)



E	R
3.3V	Approx. 330 Ω
5V	Approx. 640 Ω
12V	Approx. 1.9K Ω
15V	Approx. 2.5K Ω
24V	Approx. 4.1K Ω

- (1) LED forward current must be more than 5mA , at E min.
- (2) LED forward current must be less than 50mA , at E max.



PRODUCT SPECIFICATION

DATE : 09/01/2006

cosmo
ELECTRONICS CORPORATION

SOLID STATE RELAY - MOSFET OUTPUT
KAQV412S

NO.62M11003
SHEET 7 OF 7

REV.
1

● USING METHODS

Regulate the spike voltage generated on the inductive load as follows :

