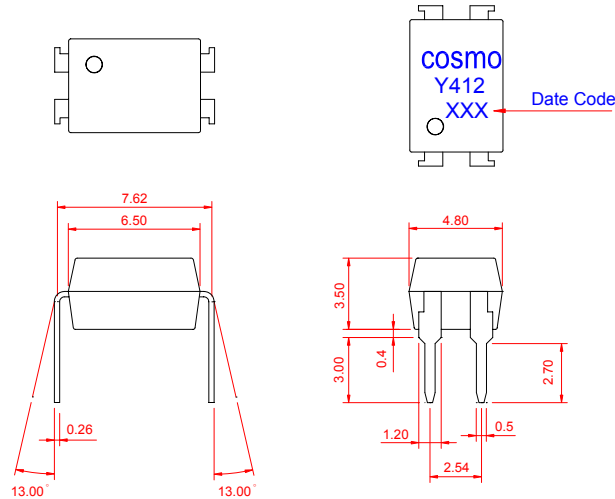


PRODUCT SPECIFICATION

DATE : 09/01/2006

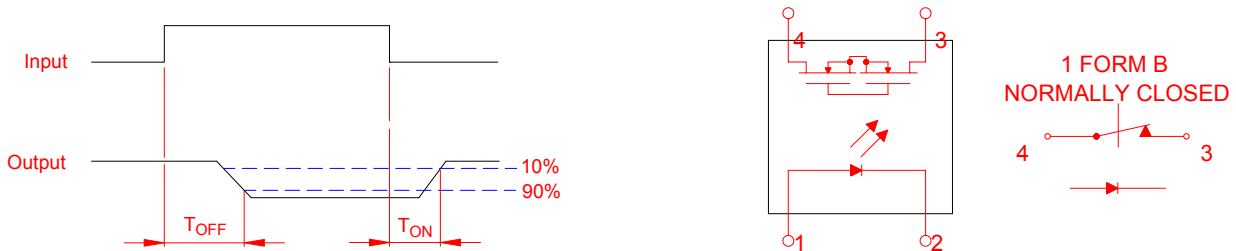
cosmo ELECTRONICS CORPORATION	SOLID STATE RELAY - MOSFET OUTPUT	NO.60M01004	REV. 1
	KAQY412	SHEET 1 OF 7	

● OUTSIDE DIMENSION :



Unit : mm
Tolerance : $\pm 0.2\text{mm}$

● Operate / Reverse time



● Absolute Maximum Ratings

($T_a=25^\circ\text{C}$)

Emitter (Input)	Detector (Output)
Reverse Voltage 5.0V	Output Breakdown Voltage $\pm 60\text{V}$
Continuous Forward Current 50mA	Continuous Load Current $\pm 200\text{mA}$
Peak Forward Current 1A	Power Dissipation 500mW
Power Dissipation 100mW	
Derate Linearly from 25°C 1.3mW/ $^\circ\text{C}$	
General Characteristics	
Isolation Test Voltage 5000VACrms	Storage Temperature Range -40°C to $+125^\circ\text{C}$
Isolation Resistance	Operating Temperature Range ... -40°C to $+85^\circ\text{C}$
$V_{io}=500\text{V}$, $T_a=25^\circ\text{C}$ $\geq 10^{10}\Omega$	Junction Temperature 100°C
Total Power Dissipation 550mW	Soldering Temperature ,
Derate Linearly from 25°C 2.5mW/ $^\circ\text{C}$	2mm from case , 10 sec 260°C

PRODUCT SPECIFICATION

DATE : 09/01/2006

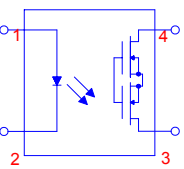
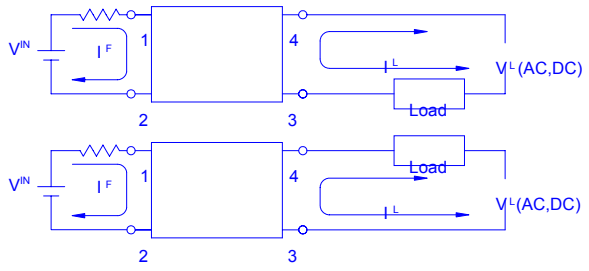
cosmo ELECTRONICS CORPORATION	SOLID STATE RELAY - MOSFET OUTPUT	NO.60M01004	REV.
	KAQY412	SHEET 2 OF 7	1

● Electro-optical Characteristics

(Ta=25°C)

Parameter	Symbol	Conditions	Min.	Typ.	Max.	Unit.
Emitter (Input)						
Forward Voltage	V_F	$I_F=10\text{mA}$		1.2	1.5	V
Operation Input Current	$I_{F\text{OFF}}$	$V_L=\pm 20\text{V}$, $I_L \leq 5\mu\text{A}$			5.0	mA
Recovery Input Current	$I_{F\text{ON}}$	$V_L=\pm 20\text{V}$, $I_L=100\text{mA}$, $t=10\text{ms}$	0.2			mA
Detector (Output)						
Output Breakdown Voltage	V_B	$I_B=50\mu\text{A}$, $I_F=10\text{mA}$	60			V
Output Off-State Leakage	$I_{T\text{OFF}}$	$V_T=60\text{V}$, $I_F=10\text{mA}$		0.2	2	μA
I/O Capacitance	C_{ISO}	$I_F=0$, $f=1\text{MHz}$		6		pF
ON Resistance	R_{ON}	$I_L=100\text{mA}$, $I_F=0\text{mA}$		2.5	5	Ω
Reverse (ON) Time	T_{ON}	$I_F=10\text{mA}$, $V_L=\pm 20\text{V}$ $t=10\text{ms}$, $I_L=\pm 100\text{mA}$		0.6	1.5	ms
Operate (OFF) Time	T_{OFF}			0.3	1.5	ms

● Schematic and Wiring Diagrams

Schematic	Output Configuration	Load	Connection	Wiring Diagrams
	1b	AC/DC	-	

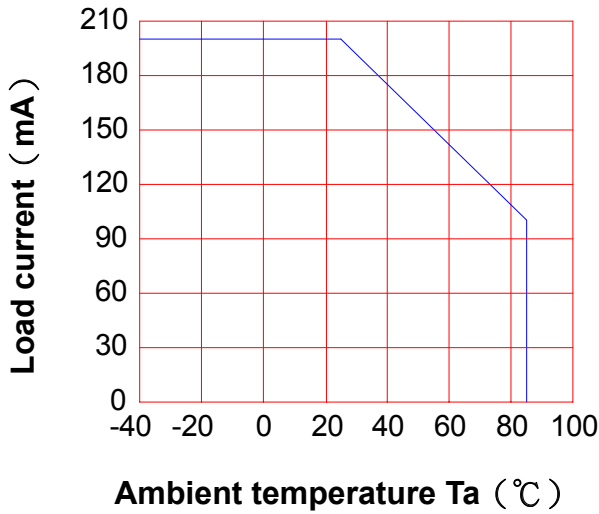
PRODUCT SPECIFICATION

DATE : 09/01/2006

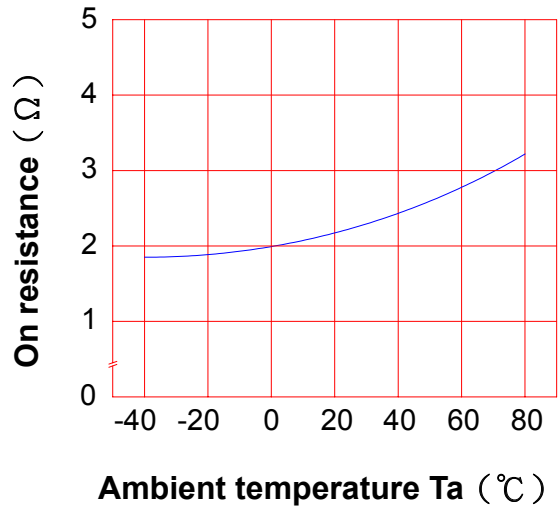
cosmo ELECTRONICS CORPORATION	SOLID STATE RELAY - MOSFET OUTPUT	NO.60M01004	REV. 1
	KAQY412	SHEET 3 OF 7	

● Data Curve

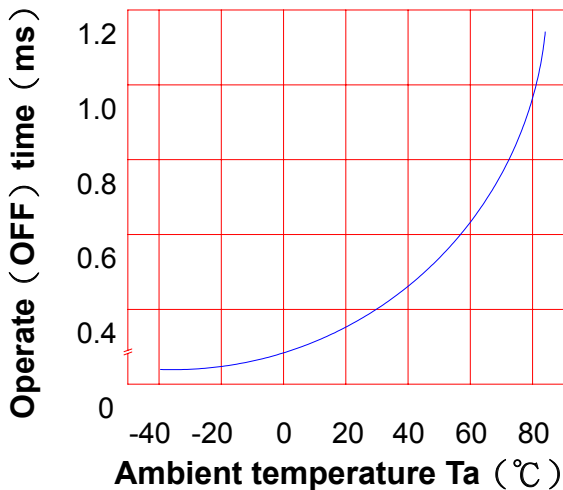
Load current vs. ambient temperature
 Allowable ambient Temperature :
 -40°C to +85°C



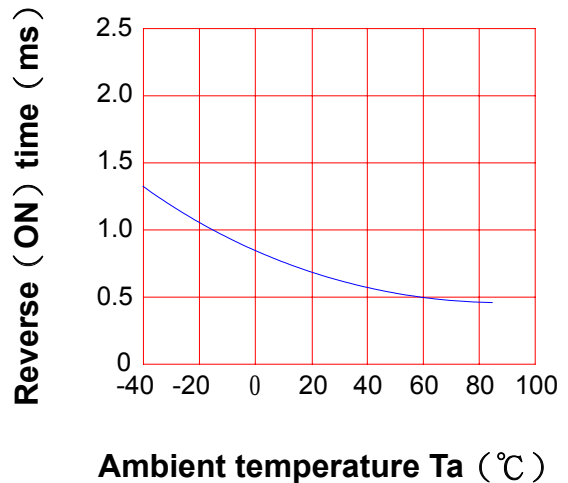
On resistance vs. ambient temperature across terminals 3 and 4 pin
 LED current : 0mA
 Continuous load current : 200mA (DC)



Operate (OFF) time vs. ambient temperature
 Load voltage 60V (DC)
 LED current : 5mA
 Continuous load current : 200mA (DC)



Reverse (ON) time vs. ambient temperature
 Load voltage 60V (DC)
 LED current : 5mA
 Continuous load current : 200mA (DC)



PRODUCT SPECIFICATION

DATE : 09/01/2006

cosmo
ELECTRONICS CORPORATION

SOLID STATE RELAY - MOSFET OUTPUT
KAQY412

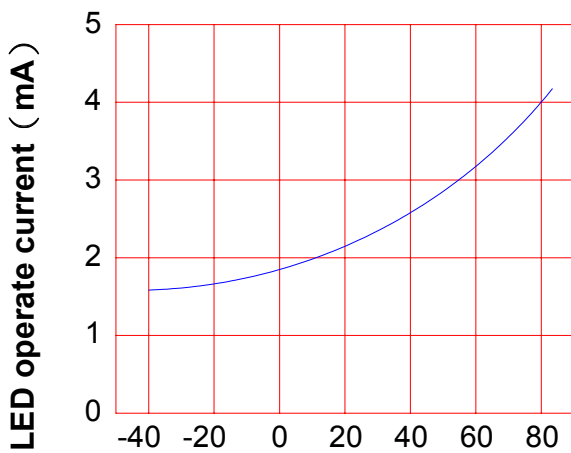
NO.60M01004
SHEET 4 OF 7

REV.
1

LED operate current vs.
ambient temperature

Load Voltage : 60V (DC)

Continuous load current : 200mA (DC)

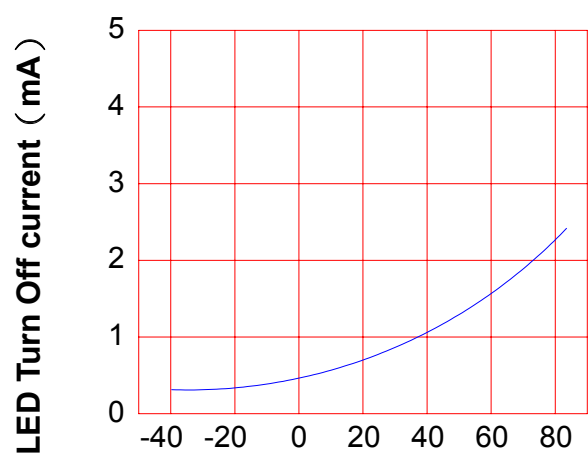


Ambient temperature Ta (°C)

LED Turn Off current vs.
ambient temperature

Load Voltage : 60V (DC)

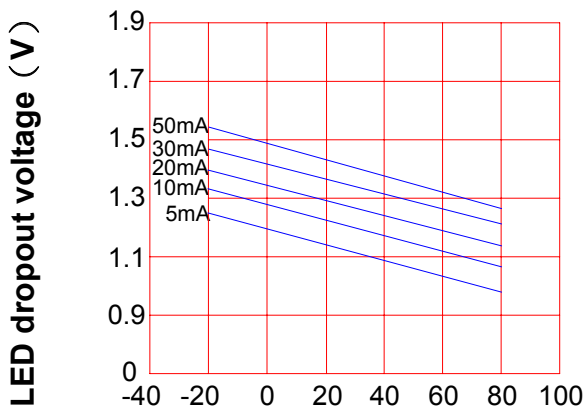
Continuous load current : 200mA (DC)



Ambient temperature Ta (°C)

LED dropout voltage vs.
ambient temperature

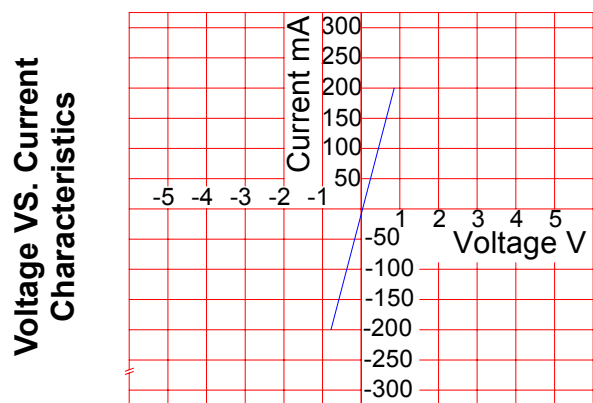
LED current : 5 to 50mA



Ambient temperature Ta (°C)

Voltage vs. current characteristics
of output at MOSFET portion
Measured portion : across terminals
3 and 4 pin

Ambient temperature : 25°C



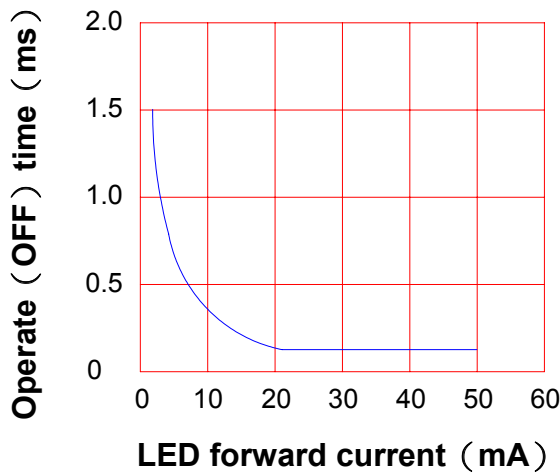
Ambient temperature : 25°C

PRODUCT SPECIFICATION

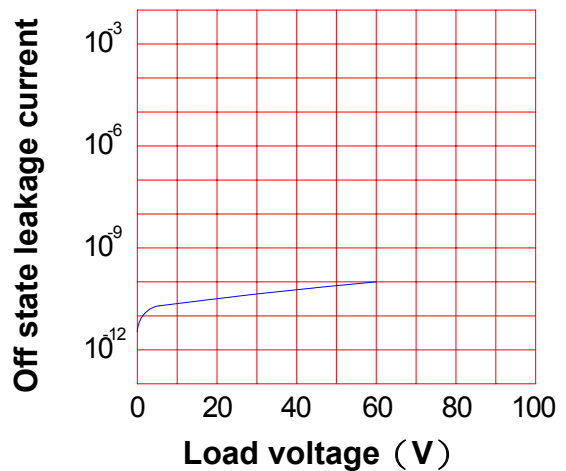
DATE : 09/01/2006

cosmo ELECTRONICS CORPORATION	SOLID STATE RELAY - MOSFET OUTPUT KAQY412	NO.60M01004	REV. 1
		SHEET 5 OF 7	

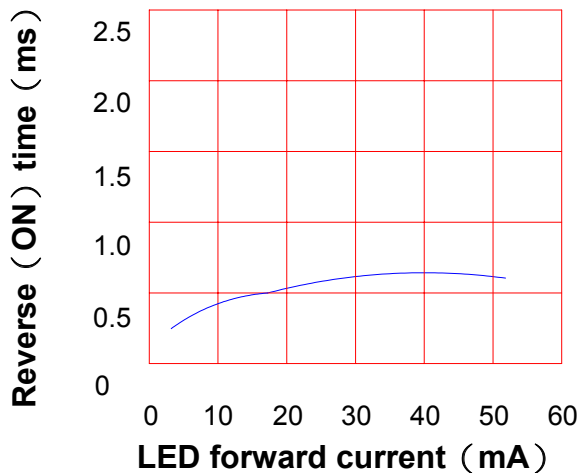
LED forward current vs. Operate (OFF) time
Across terminals 3 and 4 pin
Load voltage : 60V (DC)
Continuous load current : 200mA (DC)
Ambient temperature : 25°C



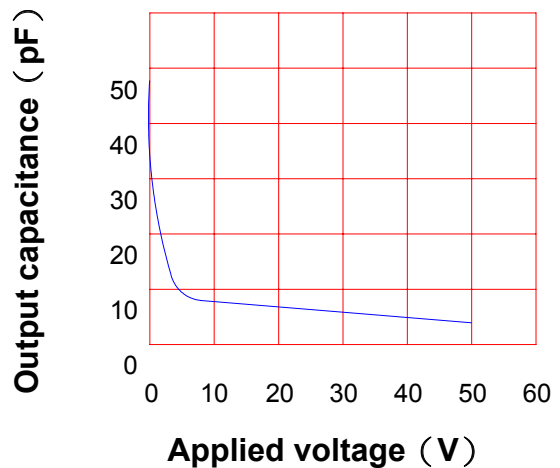
Off state leakage current
Across terminals 3 and 4 pin
Ambient temperature : 25°C



LED forward current vs. reverse (ON) time
Across terminals 3 and 4 pin
Load voltage : 60V (DC)
Continuous load current : 200mA (DC)
Ambient temperature : 25°C



Applied voltage vs. output capacitance
Across terminals 3 and 4 pin
Frequency : 1MHz
Ambient temperature : 25°C



PRODUCT SPECIFICATION

DATE : 09/01/2006

cosmo
ELECTRONICS CORPORATION

SOLID STATE RELAY - MOSFET OUTPUT
KAQY412

NO.60M01004
SHEET 6 OF 7

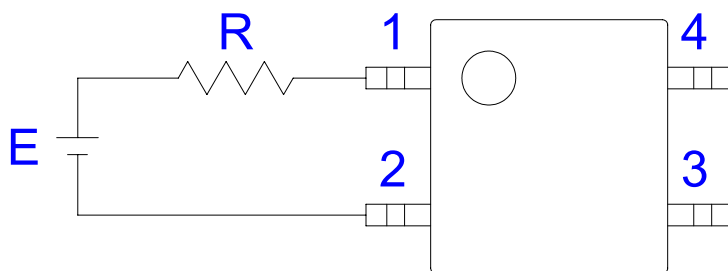
REV.
1

● USING METHODS

Examples of resistance value to control LED forward current (I_F)

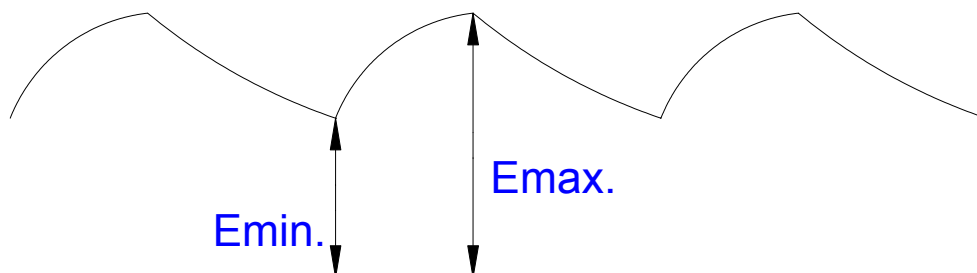
SSR-MOSFET OUTPUT

($I_F=5\text{mA}$)



E	R
3.3V	Approx. 330 Ω
5V	Approx. 640 Ω
12V	Approx. 1.9K Ω
15V	Approx. 2.5K Ω
24V	Approx. 4.1K Ω

- (1) LED forward current must be more than 5mA , at E min.
- (2) LED forward current must be less than 50mA , at E max.



PRODUCT SPECIFICATION

DATE : 09/01/2006

cosmo
ELECTRONICS CORPORATION

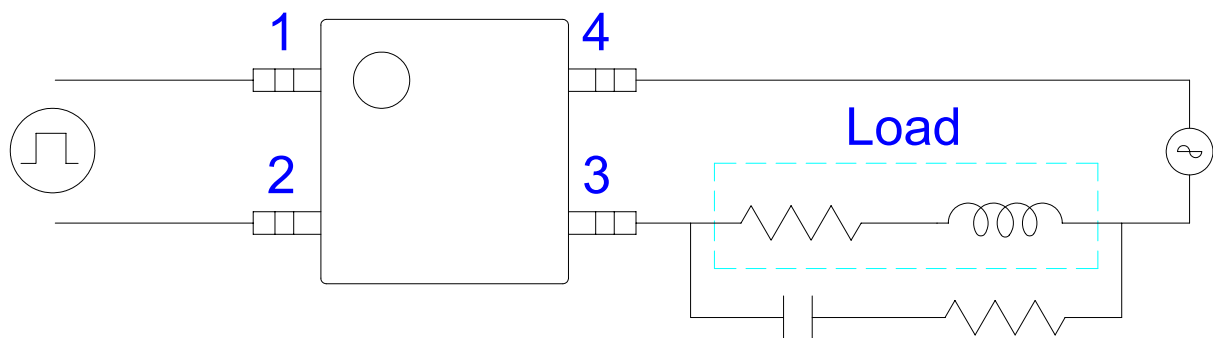
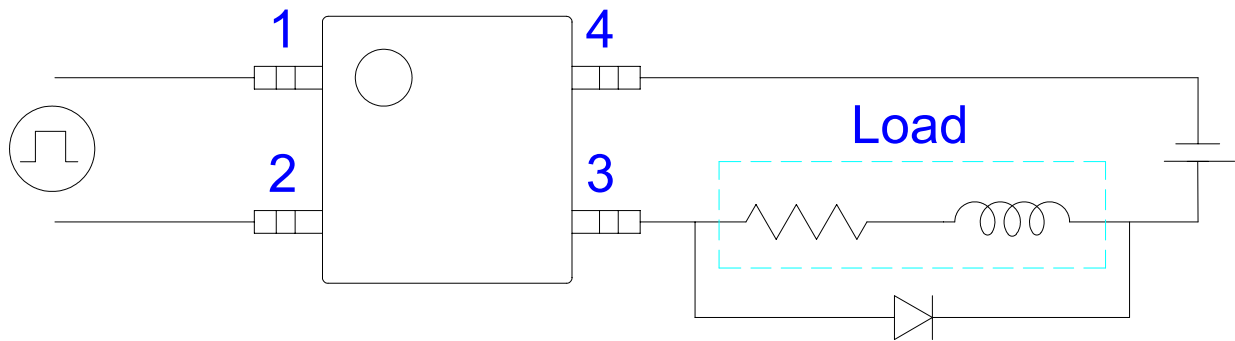
SOLID STATE RELAY - MOSFET OUTPUT
KAQY412

NO.60M01004
SHEET 7 OF 7

REV.
1

● USING METHODS

Regulate the spike voltage generated on the inductive load as follows :



R-C Snubber