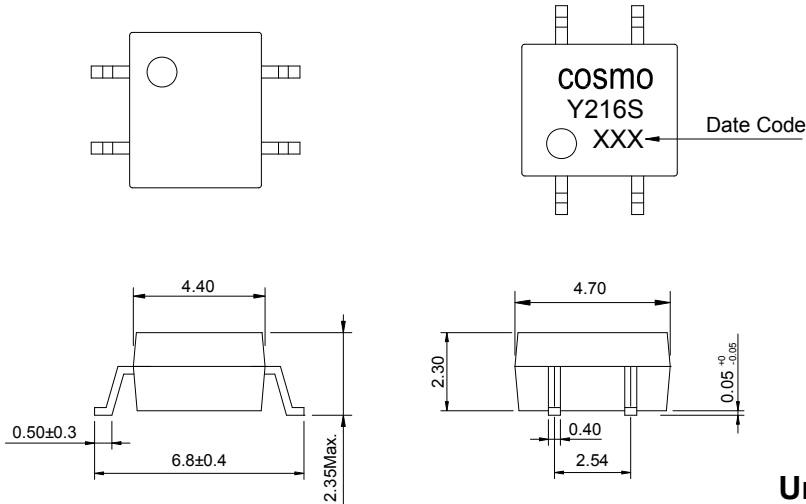


# PRODUCT SPECIFICATION

DATE : 09/05/2007

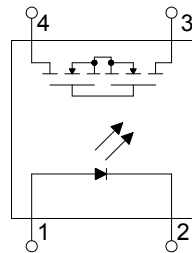
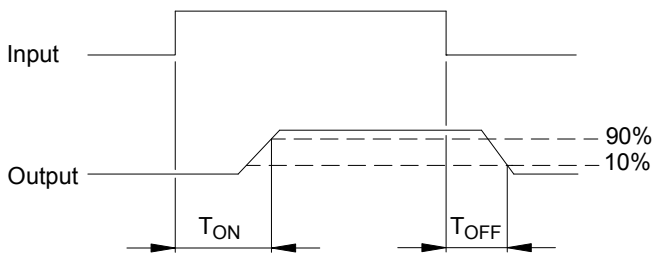
<b>cosmo</b> ELECTRONICS CORPORATION	SOLID STATE RELAY - MOSFET OUTPUT	NO.62M00021	REV. 2
	<b>KAQY216S</b>	SHEET 1 OF 7	

● **OUTSIDE DIMENSION :**

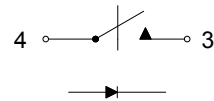


Unit : mm  
Tolerance : ±0.2mm

● **Turn On / Turn Off time**



1 FORM A  
NORMALLY OPEN



● **Absolute Maximum Ratings**

( Ta=25°C )

Emitter ( Input )		Detector ( Output )	
Reverse Voltage .....	5.0V	Output Breakdown Voltage .....	± 600V
Continuous Forward Current .....	50mA	Continuous Load Current .....	± 120mA
Peak Forward Current .....	1A	Power Dissipation .....	500mW
Power Dissipation .....	100mW		
Derate Linearly from 25°C .....	1.3mW/°C		
<b>General Characteristics</b>			
Isolation Test Voltage .....	1500VACrms	Storage Temperature Range .....	-40°C to +125°C
Isolation Resistance		Operating Temperature Range ...	-40°C to +85°C
Vio=500V , Ta=25°C .....	≥ 10 <sup>10</sup> Ω	Junction Temperature .....	100°C
Total Power Dissipation .....	550mW	Soldering Temperature ,	
Derate Linearly from 25°C .....	2.5mW/°C	2mm from case , 10 sec .....	260°C

# PRODUCT SPECIFICATION

DATE : 09/05/2007

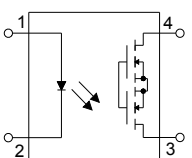
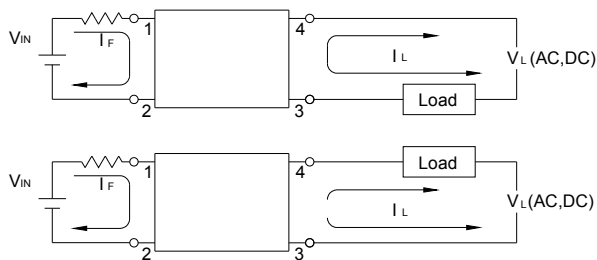
<b>cosmo</b> ELECTRONICS CORPORATION	SOLID STATE RELAY - MOSFET OUTPUT <b>KAQY216S</b>	NO.62M00021	REV.
		SHEET 2 OF 7	2

## ● Electro-optical Characteristics

(Ta=25°C)

Parameter	Symbol	Conditions	Min.	Typ.	Max.	Unit.
Emitter ( Input )						
Forward Voltage	$V_F$	$I_F=10\text{mA}$		1.2	1.5	V
Operation Input Current	$I_{F\text{ON}}$	$V_L=\pm 20\text{V}$ , $I_L=100\text{mA}$ , $t=10\text{ms}$			5.0	mA
Recovery Input Current	$I_{F\text{OFF}}$	$V_L=\pm 20\text{V}$ , $I_L \leq 5\mu\text{A}$	0.2			mA
Detector ( Output )						
Output Breakdown Voltage	$V_B$	$I_B=50\mu\text{A}$	600			V
Output Off-State Leakage	$I_{T\text{OFF}}$	$V_T=100\text{V}$ , $I_F=0\text{mA}$		0.2	1	$\mu\text{A}$
I/O Capacitance	$C_{\text{ISO}}$	$I_F=0$ , $f=1\text{MHz}$		6		pF
ON Resistance	$R_{\text{ON}}$	$I_L=100\text{mA}$ , $I_F=10\text{mA}$		35	50	$\Omega$
Turn-On Time	$T_{\text{ON}}$	$I_F=10\text{mA}$ , $V_L=\pm 20\text{V}$ $t=10\text{ms}$ , $I_L=\pm 100\text{mA}$		0.3	1.0	ms
Turn-Off Time	$T_{\text{OFF}}$			0.5	1.5	ms

## ● MOS Relay Schematic and Wiring Diagrams

Schematic	Output configuration	Load	Connection	Wiring Diagrams
	1a	AC/DC	-	

# PRODUCT SPECIFICATION

DATE : 09/05/2007

**cosmo**  
ELECTRONICS CORPORATION

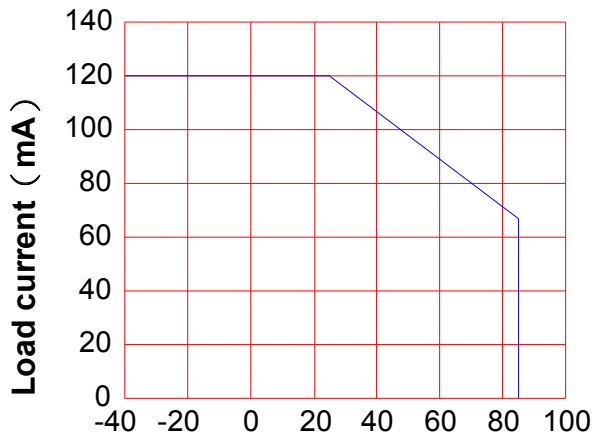
SOLID STATE RELAY - MOSFET OUTPUT  
**KAQY216S**

NO.62M00021  
SHEET 3 OF 7

REV.  
2

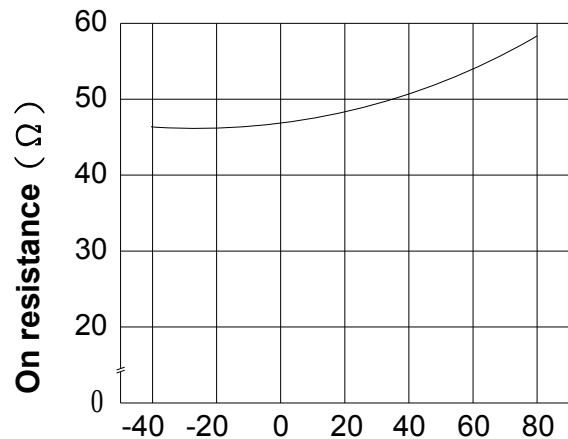
## ● Data Curve

**Load current vs. ambient temperature**  
Allowable ambient Temperature :  
-40°C to +85°C



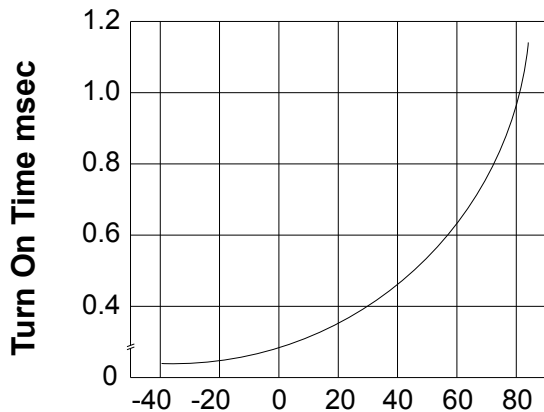
Ambient temperature Ta (°C)

**On resistance vs. ambient temperature across terminals 3 and 4 pin**  
LED current : 5mA  
Continuous load current : 120mA (DC)



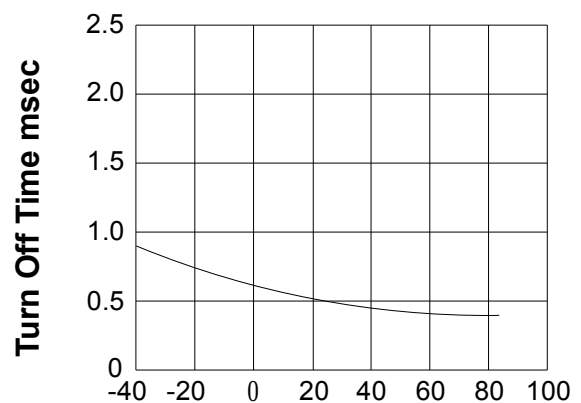
Ambient temperature Ta (°C)

**Turn On Time vs. ambient temperature**  
Load voltage 600V (DC)  
LED current : 5mA  
Continuous load current : 120mA (DC)



Ambient temperature Ta (°C)

**Turn Off Time vs. ambient temperature**  
Load voltage 600V (DC)  
LED current : 5mA  
Continuous load current : 120mA (DC)



Ambient temperature Ta (°C)

# PRODUCT SPECIFICATION

DATE : 09/05/2007

**cosmo**  
ELECTRONICS CORPORATION

SOLID STATE RELAY - MOSFET OUTPUT  
**KAQY216S**

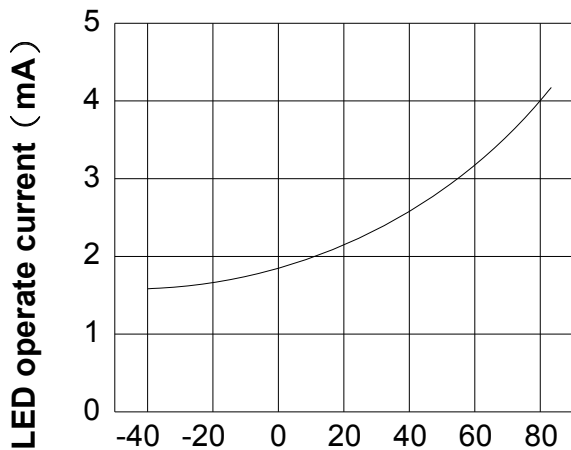
NO.62M00021  
SHEET 4 OF 7

REV.  
2

LED operate current vs.  
ambient temperature

Load Voltage : 600V (DC)

Continuous load current : 120mA (DC)

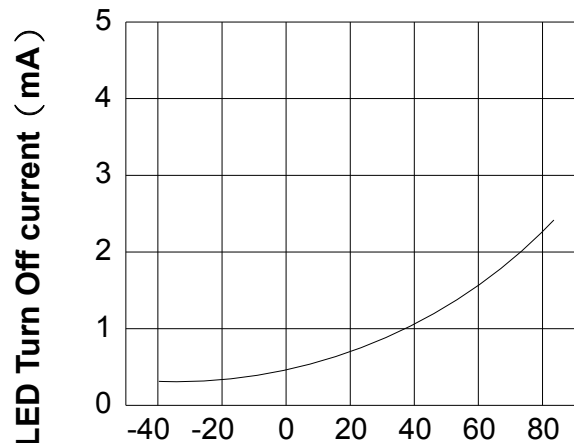


Ambient temperature Ta (°C)

LED Turn Off current vs.  
ambient temperature

Load Voltage : 600V (DC)

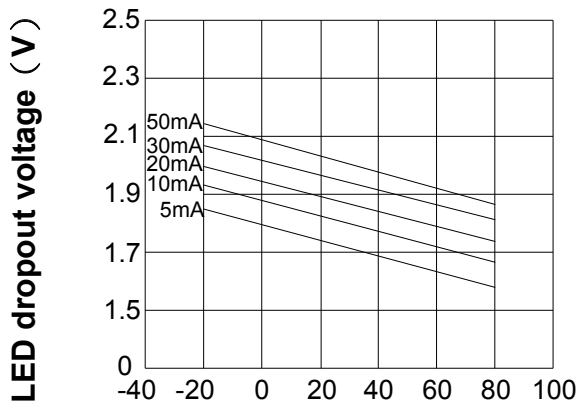
Continuous load current : 120mA (DC)



Ambient temperature Ta (°C)

LED dropout voltage vs.  
ambient temperature

LED current : 5 to 50mA

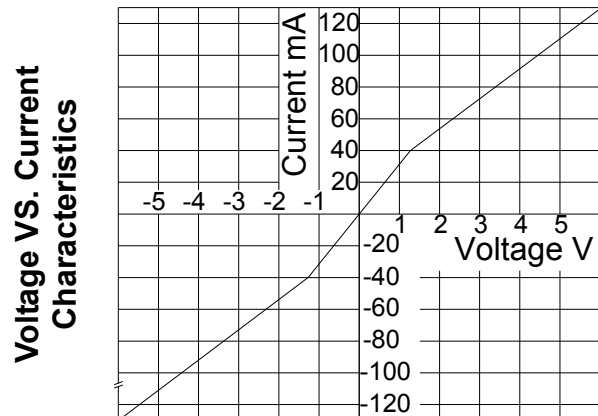


Ambient temperature Ta (°C)

Voltage vs. current characteristics  
of output at MOSFET portion

Measured portion : across terminals  
3 and 4 pin

Ambient temperature : 25°C



Ambient temperature : 25°C

# PRODUCT SPECIFICATION

DATE : 09/05/2007

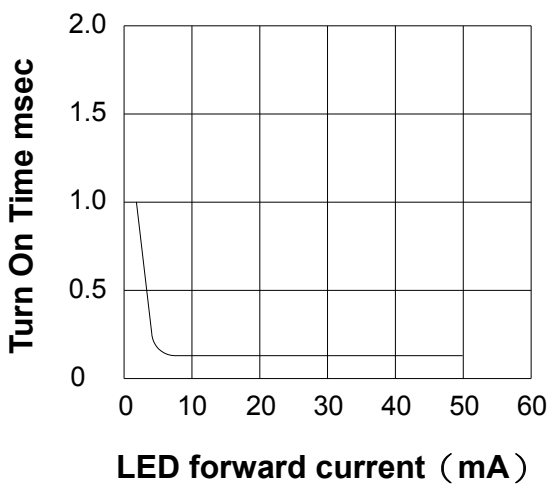
**cosmo**  
ELECTRONICS CORPORATION

SOLID STATE RELAY - MOSFET OUTPUT  
**KAQY216S**

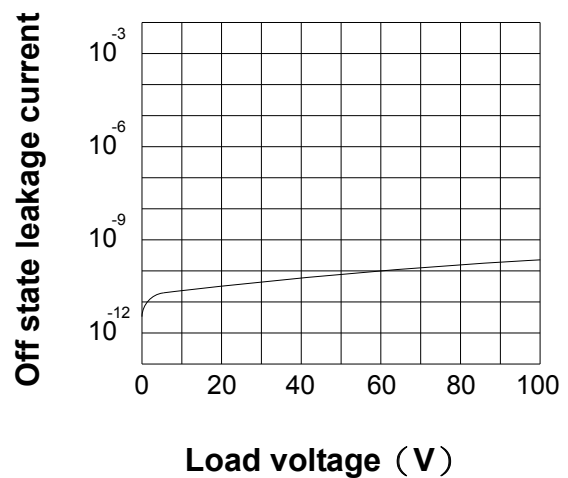
NO.62M00021  
SHEET 5 OF 7

REV.  
2

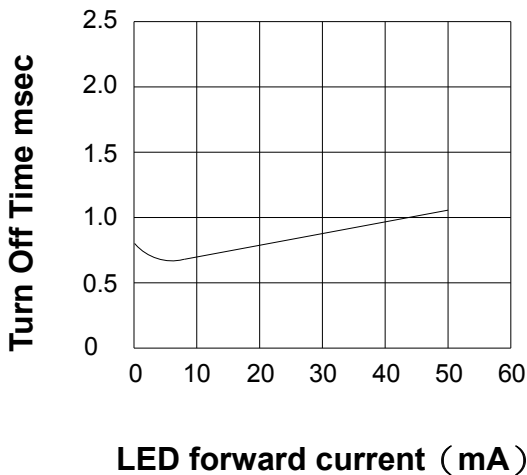
**LED forward current vs. Turn On Time**  
Across terminals 3 and 4 pin  
Load voltage : 600V (DC)  
Continuous load current : 120mA (DC)  
Ambient temperature : 25°C



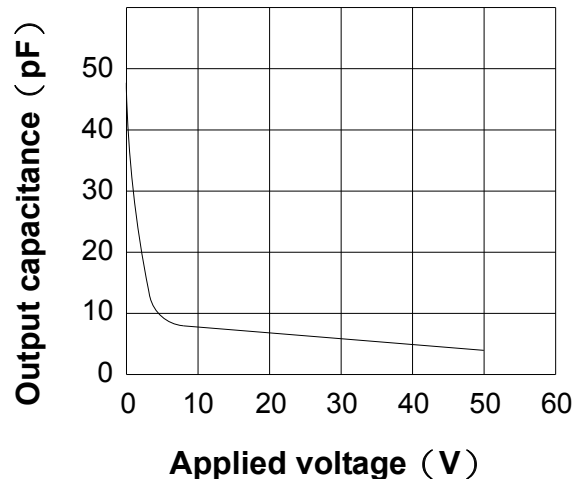
**Off state leakage current**  
Across terminals 3 and 4 pin  
Ambient temperature : 25°C



**LED forward current vs. Turn Off Time**  
Across terminals 3 and 4 pin  
Load voltage : 600V (DC)  
Continuous load current : 120mA (DC)  
Ambient temperature : 25°C



**Applied voltage vs. output capacitance**  
Across terminals 3 and 4 pin  
Frequency : 1MHz  
Ambient temperature : 25°C



# PRODUCT SPECIFICATION

DATE : 09/05/2007

**cosmo**  
ELECTRONICS CORPORATION

SOLID STATE RELAY - MOSFET OUTPUT  
**KAQY216S**

NO.62M00021  
SHEET 6 OF 7

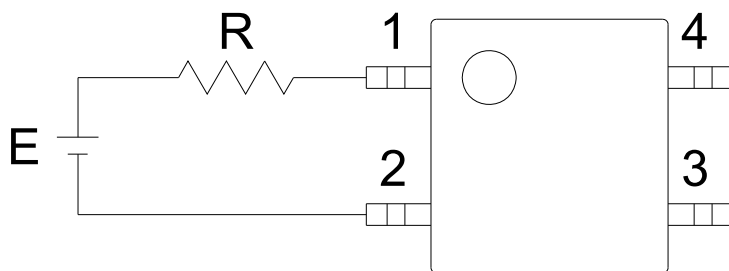
REV.  
2

## ● USING METHODS

Examples of resistance value to control LED forward current ( $I_F$ )

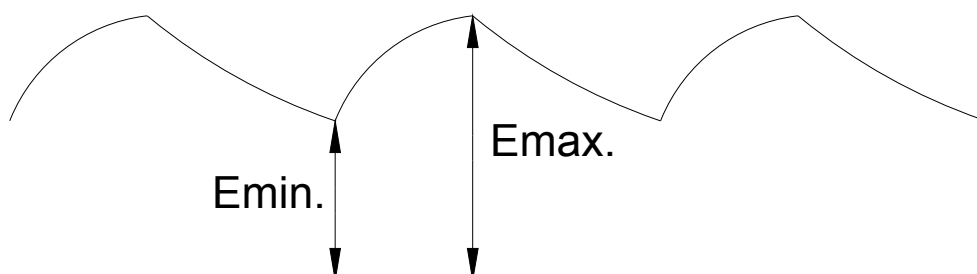
SSR-MOSFET OUTPUT

( $I_F=5\text{mA}$ )



E	R
3.3V	Approx. 330 $\Omega$
5V	Approx. 640 $\Omega$
12V	Approx. 1.9K $\Omega$
15V	Approx. 2.5K $\Omega$
24V	Approx. 4.1K $\Omega$

- (1) LED forward current must be more than 5mA , at E min.
- (2) LED forward current must be less than 50mA , at E max.



# PRODUCT SPECIFICATION

DATE : 09/05/2007

**cosmo**  
ELECTRONICS CORPORATION

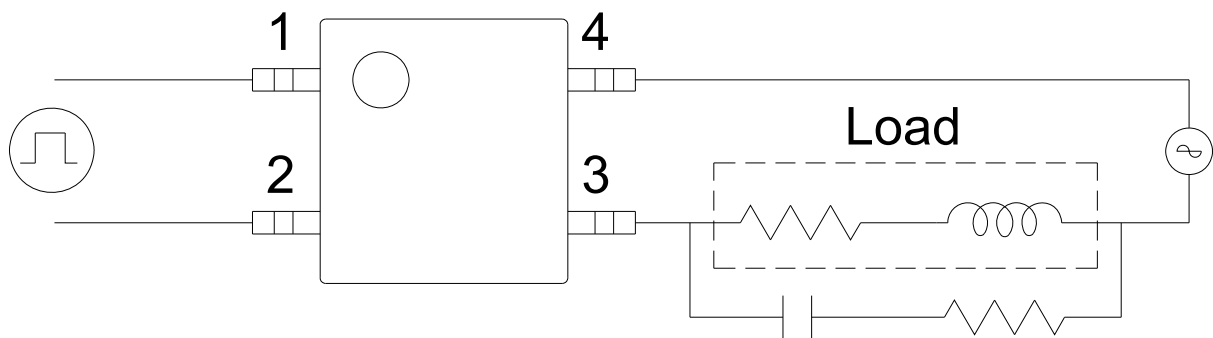
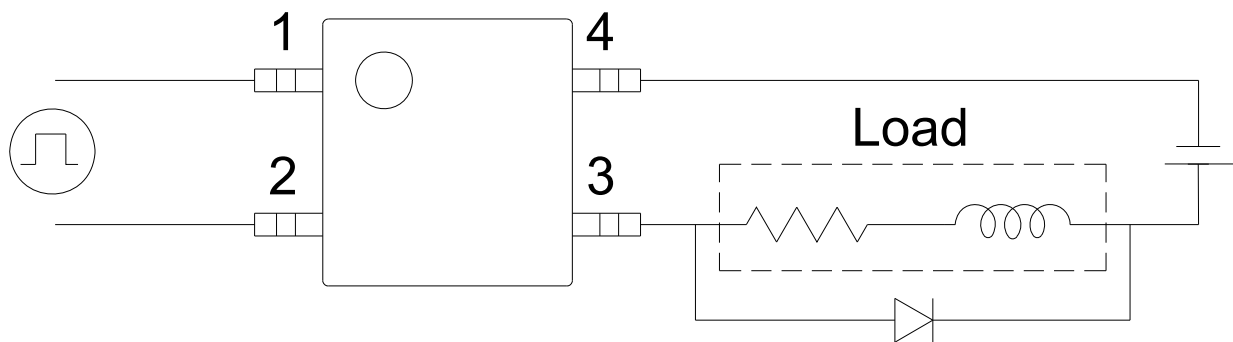
SOLID STATE RELAY - MOSFET OUTPUT  
**KAQY216S**

NO.62M00021  
SHEET 7 OF 7

REV.  
2

## ● USING METHODS

Regulate the spike voltage generated on the inductive load as follows :



R-C Snubber