

PRODUCT SPECIFICATION

DATE:03/03/2005

cosmo ELECTRONICS CORPORATION	Photolink : KPLR1320BD	NO.60F01005	REV.
		SHEET 1 OF 5	1

FIBER OPTIC Receiver Module

Features

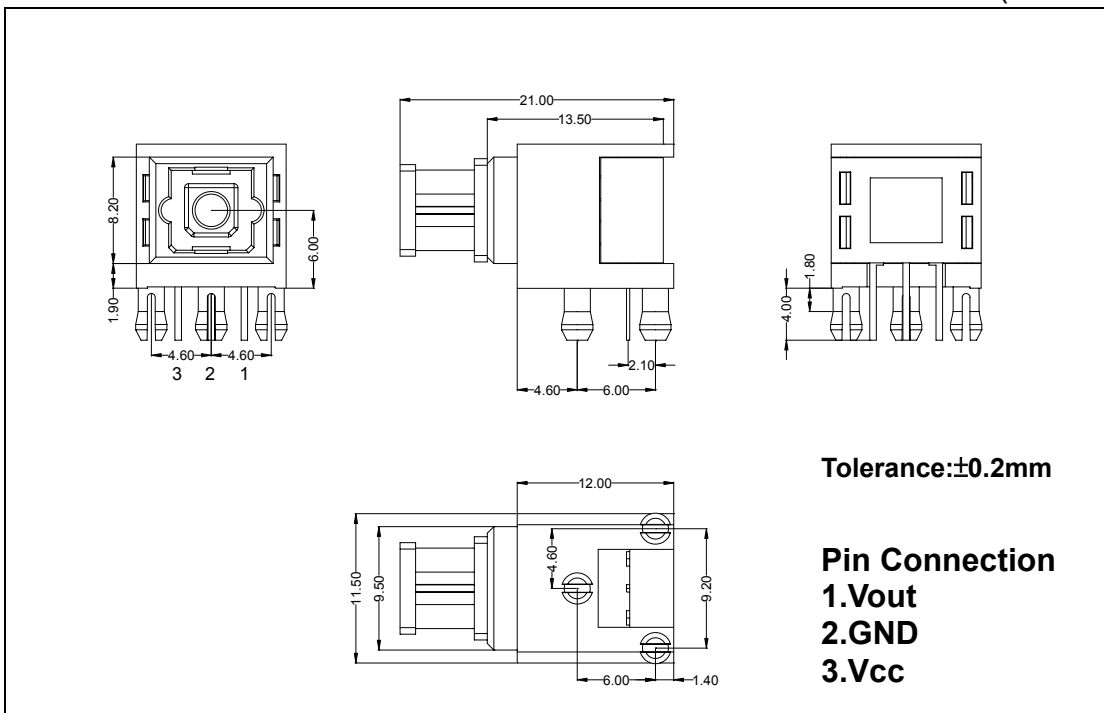
- TTL interface compatible.
- 13.2Mbps data rate(NRZ Signal).
- Directly connectable to demodulation IC.
- Supply voltage 3.3V/ 5V equipment.

Applications

- Audio equipment .
- DVD,CD,MD player .
- Automobile.
- Sound card.
- Set top box.
- PC,Notebook.

Outline Dimensions

(Unit:mm)



PRODUCT SPECIFICATION

DATE:03/03/2005

cosmo ELECTRONICS CORPORATION	Photolink : KPLR1320BD	NO.60F01005	REV.
		SHEET 2 OF 5	1

1. Maximum Ratings (Ta=25°C, Vcc=3.3V/5V)

Parameter	Symbol	Rating	Unit
Storage Temperature	T _{stg}	-40~80	°C
Operating Temperature	T _{opr}	-20~70	°C
Supply Voltage	V _{CC}	-0.5~7	V
Input Voltage	V _{IN}	-0.5~V _{CC} +0.5	V
Soldering Temperature	T _{sol}	260 ^(Note 1)	°C

Note 1 : Soldering time \leq 10 seconds (At a distance of 1 mm from the package) .

2. Recommended Operating Conditions (Ta=25°C, Vcc=3.3V/5V)

Parameter	Symbol	Min	Typ.	Max	Unit
Supply Voltage	V _{CC}	2.7	3.3	5.5	V
Operating transfer rate	T	0.1	-	13.2	Mbps
Input optical power level	PI	-24	-	-14.5	dBm

3. Electrical and Optical Characteristics :Receiver (Ta=25°C, Vcc=3.3V/5V)

Parameter	Symbol	Condition	Min	Typ.	Max	Unit
Operating transfer rate	T	NRZ Signal ^(Note 2)	0.1	-	13.2	Mb/s
Operating voltage	V _{CC}		2.7	3.3	5.5	V
Optical Input Sensitivity ^(Note 3)	PI		-24	-	-14.5	dBm
Peak Emission Wavelength	λ_p		-	700	-	nm
Dissipation Current	I _{CC}	Refer to Fig.(1)	-	8	15	mA
High Level Output Voltage	V _{OH}	Refer to Fig.(2)	2.4	-	-	V
Low Level Output Voltage	V _{OL}	Refer to Fig.(2)	-	-	0.4	V
Rise time	t _r	Refer to Fig.(2)	-	10	15	ns
Fall time	t _f	Refer to Fig.(2)	-	10	15	ns
Low->High Propagation delay time	t _{PLH}	Refer to Fig.(2)	-	-	180	ns
High -> Low Propagation delay time	t _{PHL}	Refer to Fig.(2)	-	-	180	ns
Pulse Width Distortion	Δtw	Refer to Fig.(2)	-20	-	20	ns
Jitter Time	Δtj	Refer to Fig.(3)	-	-	15	ns

Note 2 : LED is ON when input signal is high, and OFF when it is low.

The duty factor must be maintained between 25 to 75%.

Note 3 : Measure with a standard optical fiber, peak value.

PRODUCT SPECIFICATION

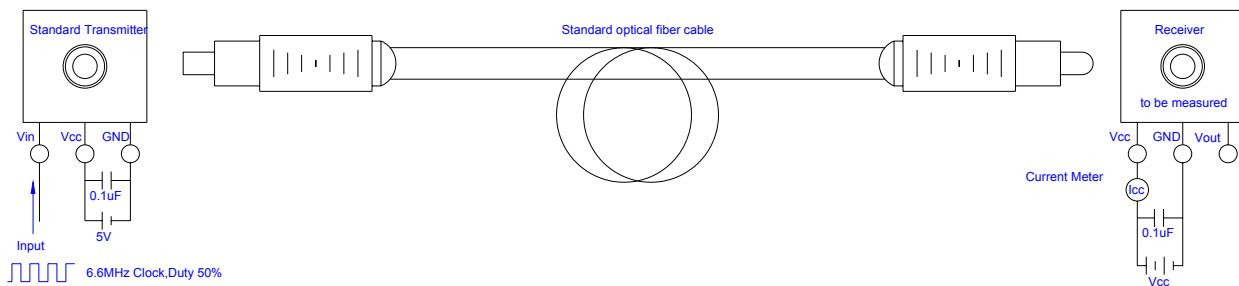
DATE:03/03/2005

cosmo ELECTRONICS CORPORATION	Photolink : KPLR1320BD	NO.60F01005 SHEET 3 OF 5	REV. 1

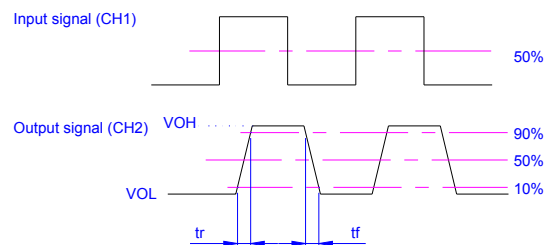
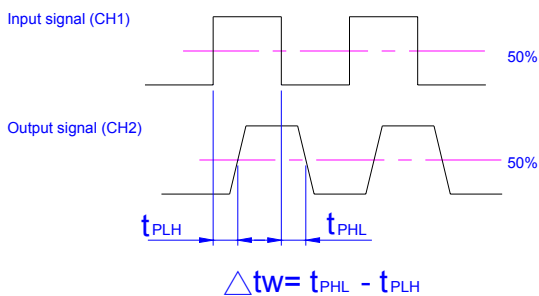
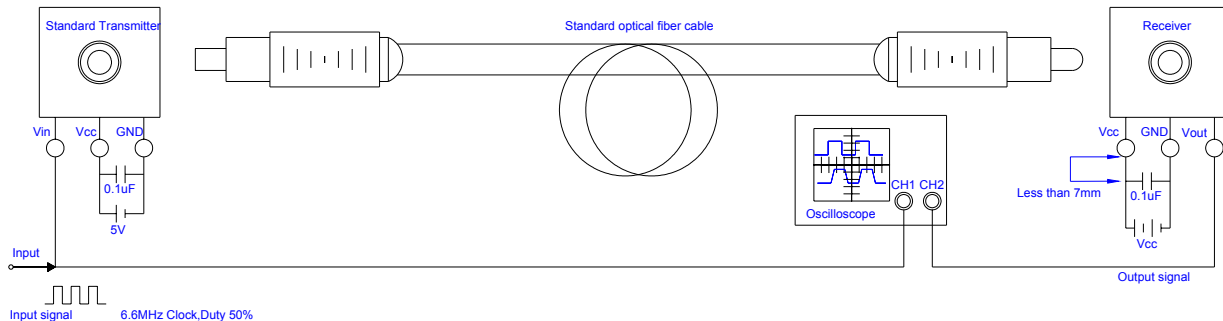
4. Measuring method

(1).Measuring Supply Current

	Input test Conditions	Measuring method
Supply Voltage	Vcc=5.0V	DC Average current
Fiber coupling light output	Pc=-14.5dBm	
Standard transmitter input signal	13.2Mbps NRZ	



(2).Measuring method of Output Voltage and Pulse response

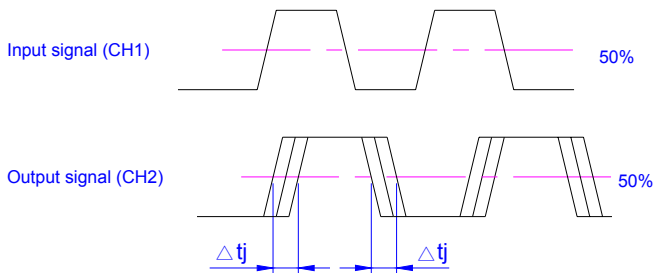
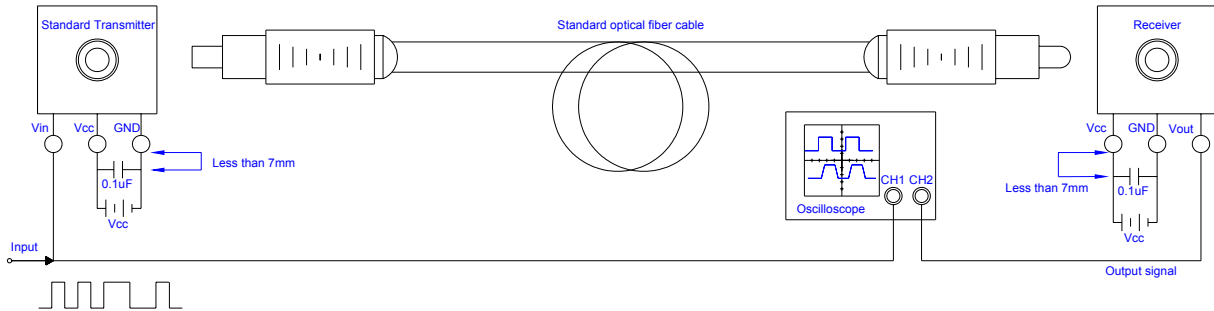


PRODUCT SPECIFICATION

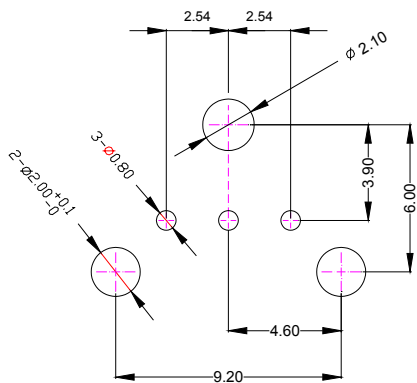
DATE:03/03/2005

cosmo ELECTRONICS CORPORATION	Photolink : KPLR1320BD	NO.60F01005	REV.
		SHEET 4 OF 5	1

(3).Measuring method of Jitter



5.Recommended PCB Layout



Notes:
 1.Unit:mm
 2.tolerance:±0.3mm

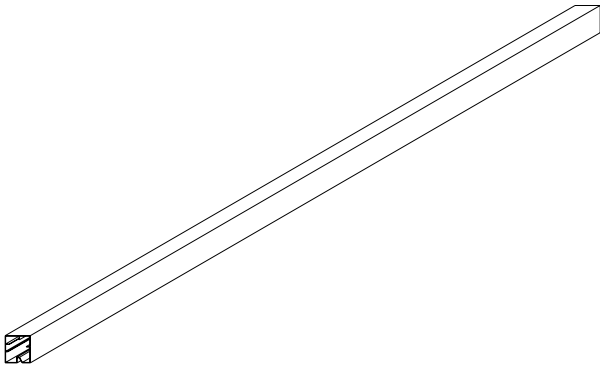
PRODUCT SPECIFICATION

DATE:03/03/2005

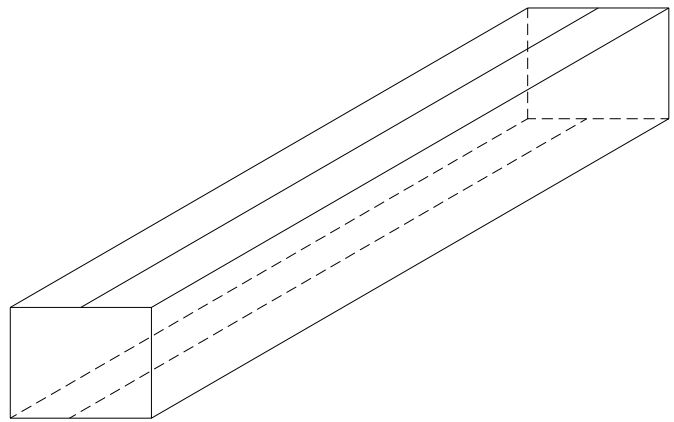
cosmo ELECTRONICS CORPORATION	Photolink : KPLR1320BD	NO.60F01005 SHEET 5 OF 5	REV. 1
---	----------------------------------	-----------------------------	-----------

6.Package Information

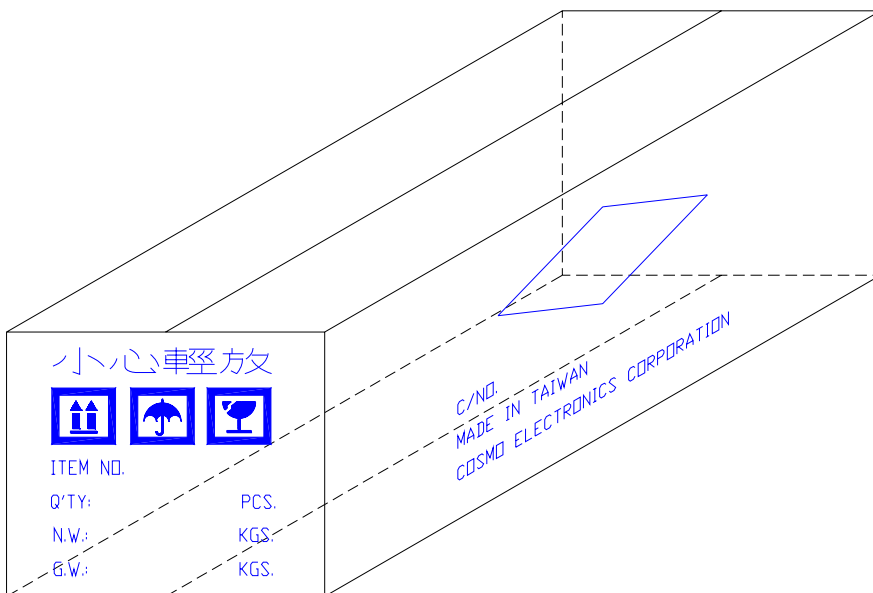
Item	Quantity	Total	Size(Long*Width*High)
Tube	50	50 pcs	640*24.4*26.4 mm
Inner Box	20 Tube/Box	1000 pcs	660*156*122 mm
Outer Box	4 Inner Box/Outer Box	4000 pcs	690*342*284 mm



50pcs/Tube



1000pcs/Inner Box



4000pcs/Outer Box