

● Description

The KMOC3021 、KMOC3022 、KMOC3023 series are optically isolated TRIAC driver devices. These series contain a GaAs infrared emitting diode and a light activated silicon bilateral switch, which functions like a TRIAC. They are designed for interfacing between electronic controls and power TRIACs to control resistive and inductive loads for 115 VAC operations.

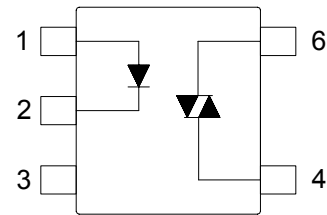
● Features

1. Pb free and RoHS compliant
2. 400V peak blocking voltage
3. Simplifies logic control of 115 VAC power
4. Non zero voltage crossing
5. Isolation voltage between input and output (Viso : 5300Vms)
6. Agency Approvals :
 - UL1577, File No. E169586
 - CUL C22.2 No.1 & NTC No.5, File No. E169586
 - VDE EN60747-5-5 , File No. 101347
 - FIMKO EN60065 , NCS/FI 23146 A1 / EN60950 , File No. FI 25802 (for KMOC3022 series only)
 - SEMKO EN60065 , File No. 1016474(for KMOC3022 series only)

● Applications

- Solenoid/Valve controls
- Lighting controls
- Static power switches
- AC motor drives
- Temperature controls
- E.M contactors
- AC motor contactors
- Solid state relay
- Programmable controllers

● Schematic

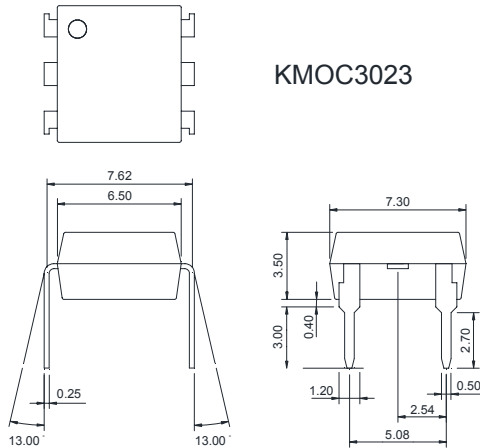


1. Anode
2. Cathode
3. NC
4. Main terminal
6. Main terminal

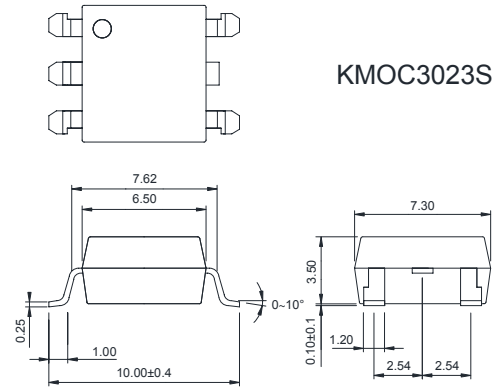
● **Outside Dimension**

Unit : mm

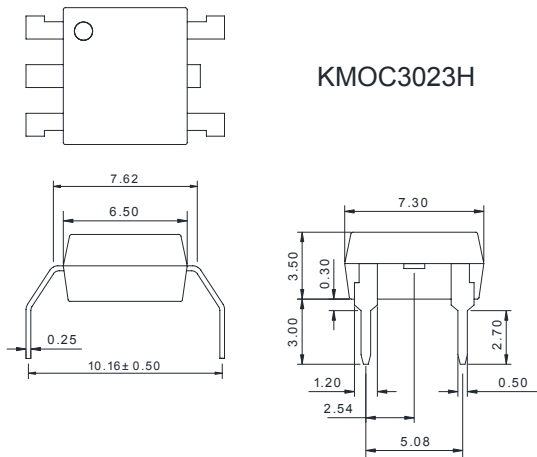
1. Dual-in-line type.



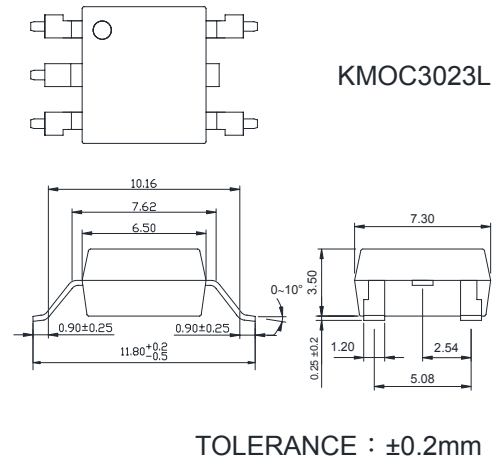
2. Surface mount type.



3. Long creepage distance type.

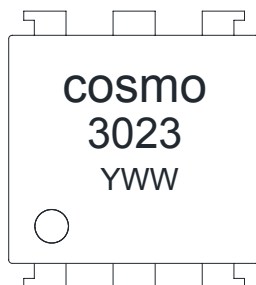


4. Long creepage distance for surface mount type.



TOLERANCE : ±0.2mm

● **Device Marking**



Notes :

cosmo

3021 、 3022 、 3023

YWW Y : Year code / W : Week code

● Absolute Maximum Ratings

(Ta=25°C)

Parameter		Symbol	Rating	Unit
Input	Forward current	I_F	50	mA
	Peak forward current	I_{FP}	1	A
	Reverse voltage	V_R	6	V
	Power dissipation	P_D	70	mW
Output	Off-state output terminal voltage	V_{DRM}	400	V_{PEAK}
	On-state R.M.S. current	$I_{T(RMS)}$	100	mA
	Peak repetitive surge current (PW=10ms.DC 10%)	I_{TSM}	1	A
	Power dissipation	P_D	300	mW
Total power dissipation		P_{tot}	330	mW
Isolation voltage 1 minute		V_{iso}	5300	Vrms
Operating temperature		T_{opr}	-40 to +115	°C
Storage temperature		T_{stg}	-50 to +125	°C
Soldering temperature 10 seconds		T_{sol}	260	°C

● Electro-optical Characteristics

(Ta=25°C)

Parameter		Symbol	Conditions	Min.	Typ.	Max.	Unit	
Input	Forward voltage	V_F	$I_F=10mA$	-	1.2	1.4	V	
	Reverse current	I_R	$V_R=4V$	-	-	10	μA	
Output	Peak blocking current	I_{DRM}	V_{DRM} Rated	-	-	100	nA	
	On-state voltage	V_{TM}	$I_{TM}=100mA$	-	1.6	3	V	
Transfer characteristics	Holding current	I_H		-	0.1	-	mA	
	Critical rate of rise of off-state voltage	dv/dt	$V_{DRM}=(1/\sqrt{2})*\text{Rated}$	1000	-	-	V/ μs	
	Isolation resistance	R_{iso}	DC500V	5×10^{10}	10^{11}	-	Ω	
	Minimum trigger current	I_{FT}	Main terminal voltage=3V	KMOC3021	-	-	15	mA
				KMOC3022	-	-	10	mA
KMOC3023				-	-	5	mA	
Turn-on time	T_{ON}	$V_D=6V, R_L=100\Omega, I_F=20mA$	-	-	100	μs		

● Static dv/dt Test Circuit

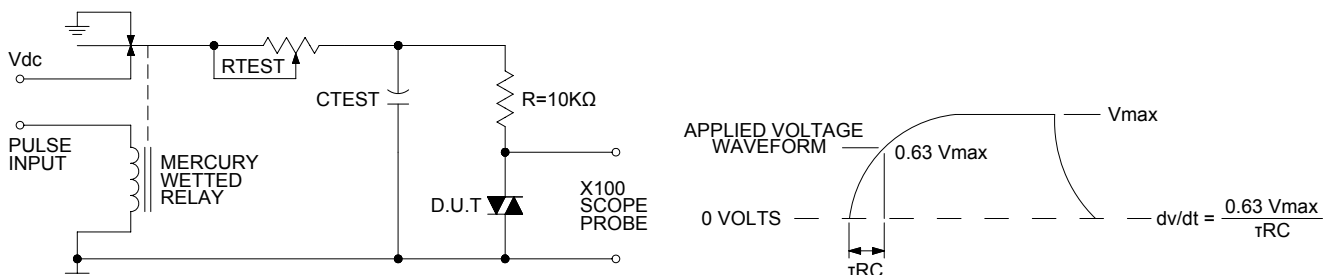


Fig.1 Forward Current vs. Ambient Temperature

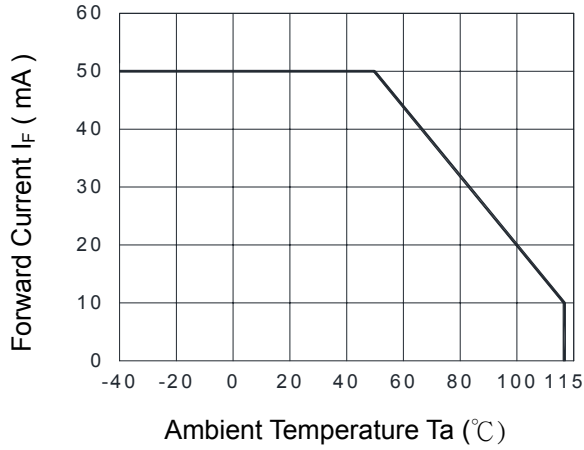


Fig.2 Diode Power Dissipation vs. Ambient Temperature

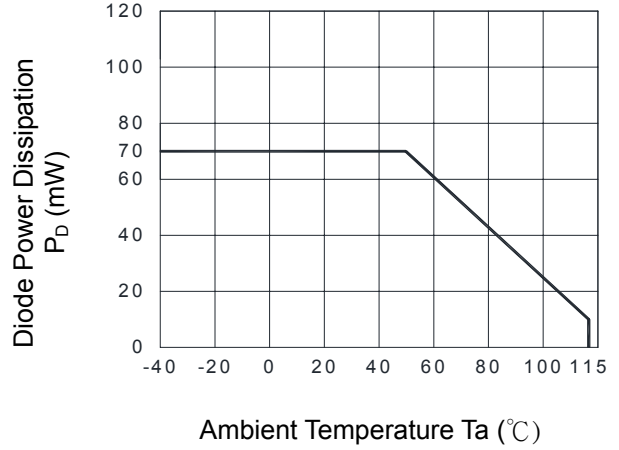


Fig.3 On-state R.M.S. Current vs. Ambient Temperature

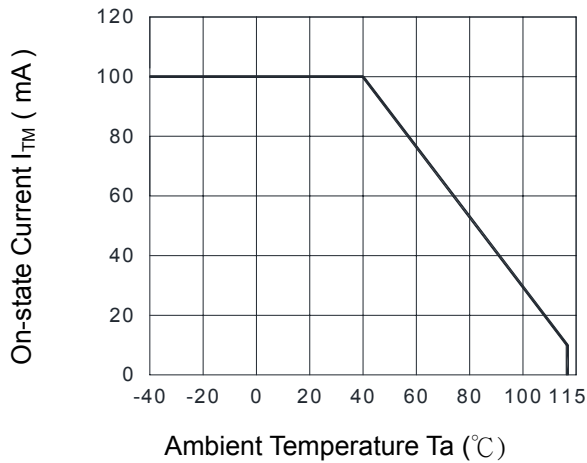


Fig.4 Total Power Dissipation vs. Ambient Temperature

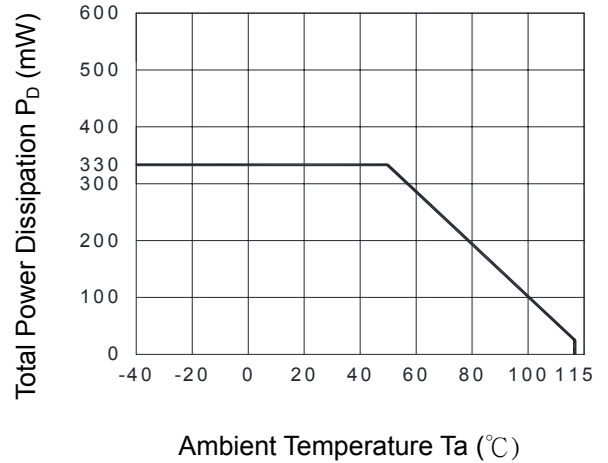


Fig.5 Peak Forward Current vs. Duty Ratio

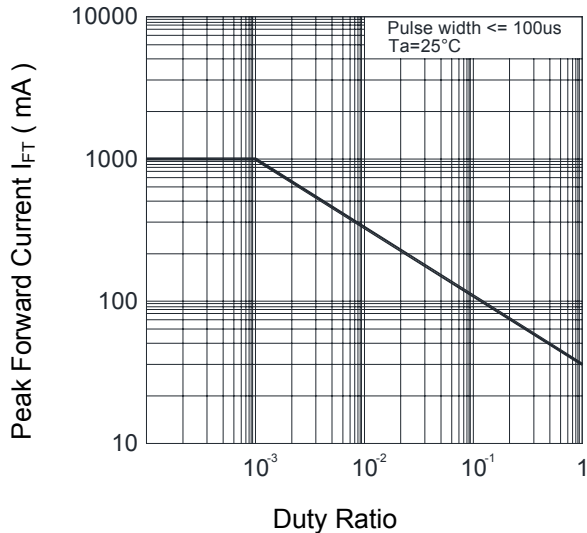


Fig.6 Forward Current vs. Forward Voltage

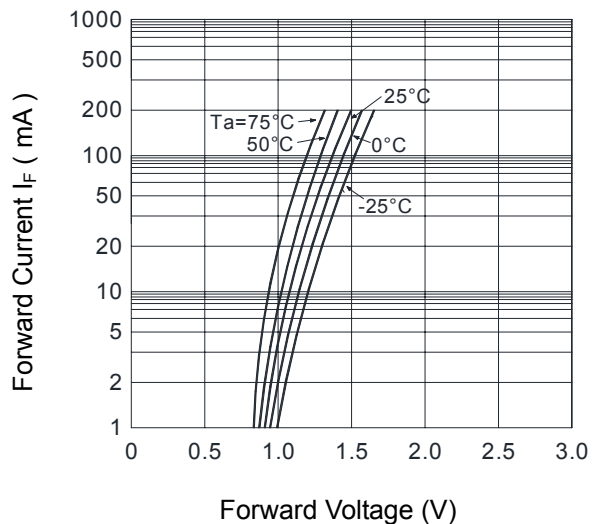


Fig.7 On-state Characteristics

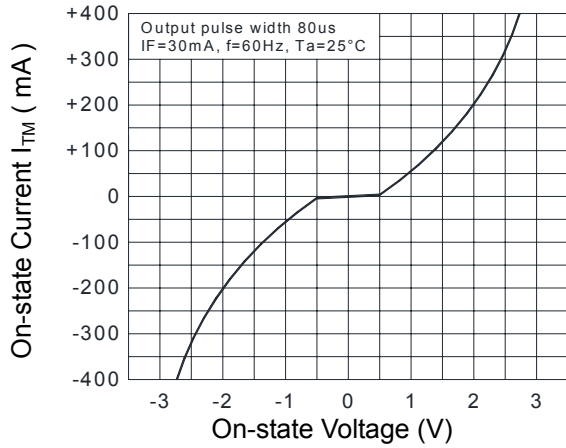


Fig.8 Leakage with LED off vs. Ambient Temperature

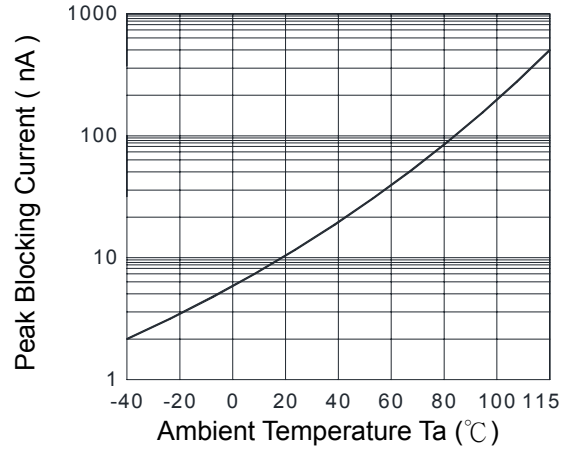
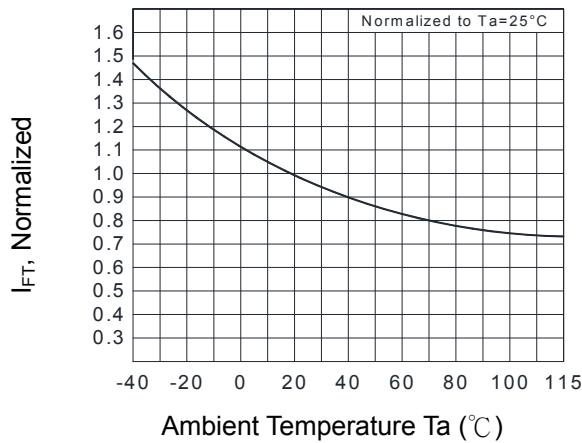


Fig.9 Trigger Current vs. Ambient Temperature

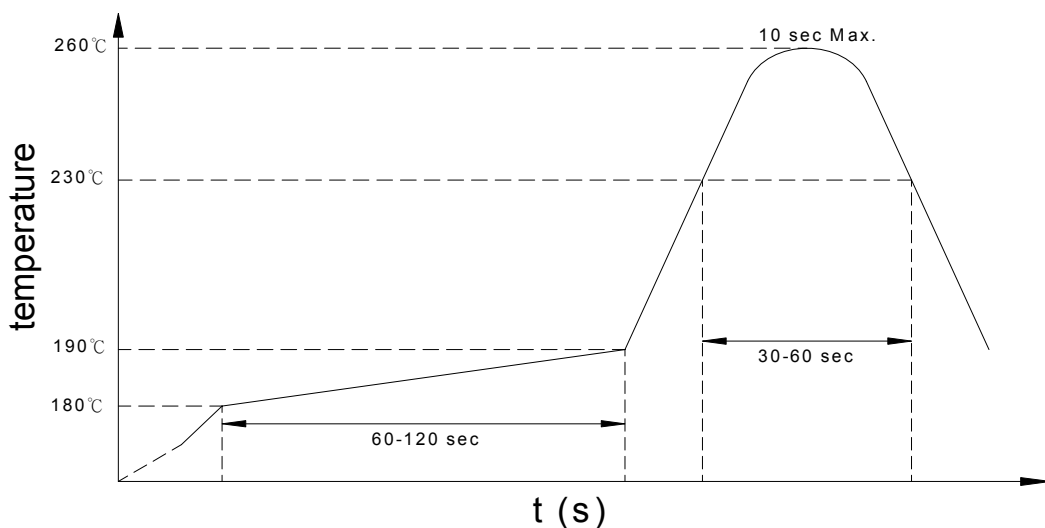


● Recommended Soldering Conditions

(a) Infrared reflow soldering :

- Peak reflow soldering : 260°C or below (package surface temperature)
- Time of peak reflow temperature : 10 sec
- Time of temperature higher than 230°C : 30-60 sec
- Time to preheat temperature from 180~190°C : 60-120 sec
- Time(s) of reflow : Two
- Flux : Rosin flux containing small amount of chlorine (The flux with a maximum chlorine content of 0.2 Wt% is recommended.)

Recommended Temperature Profile of Infrared Reflow



(b) Wave soldering :

- Temperature : 260°C or below (molten solder temperature)
- Time : 10 seconds or less
- Preheating conditions : 120°C or below (package surface temperature)
- Time(s) of reflow : One
- Flux : Rosin flux containing small amount of chlorine (The flux with a maximum chlorine content of 0.2 Wt% is recommended.)

(c) Cautions :

- Fluxes : Avoid removing the residual flux with freon-based and chlorine-based cleaning solvent.
- Avoid shorting between portion of frame and leads.

● Numbering System

KMOC3021 X (Y)

KMOC3022 X (Y)

KMOC3023 X (Y)

Notes :

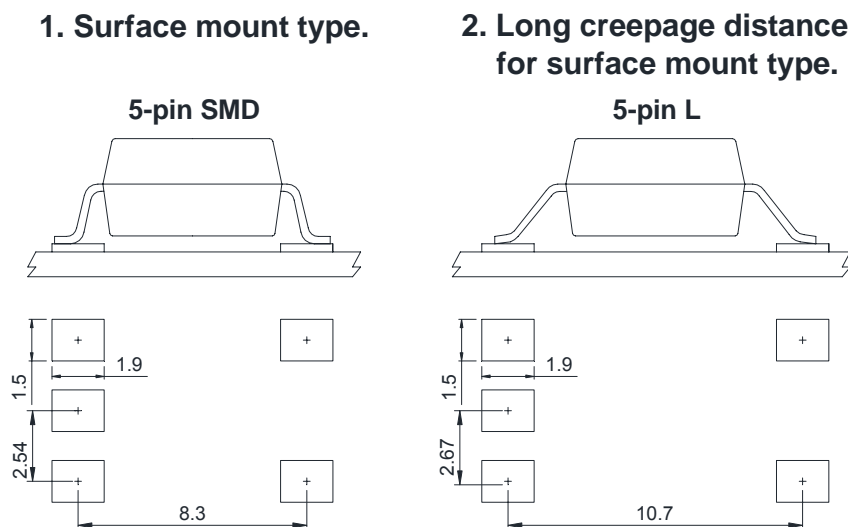
KMOC3021 / KMOC3022 / KMOC3023 = Part No.

X = Lead form option (blank 、 S 、 H 、 L)

Y = Tape and reel option (TL 、 TR 、 TLD 、 TRU)

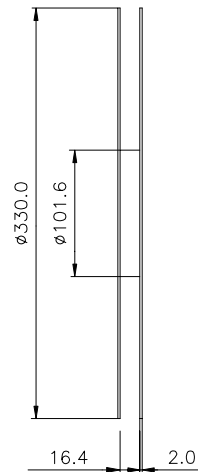
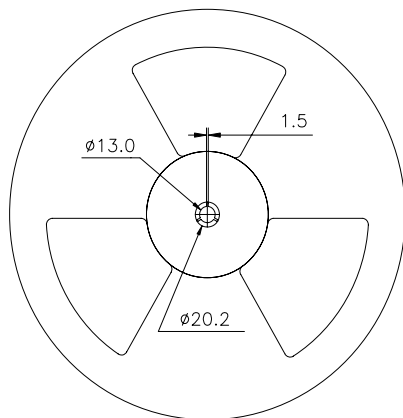
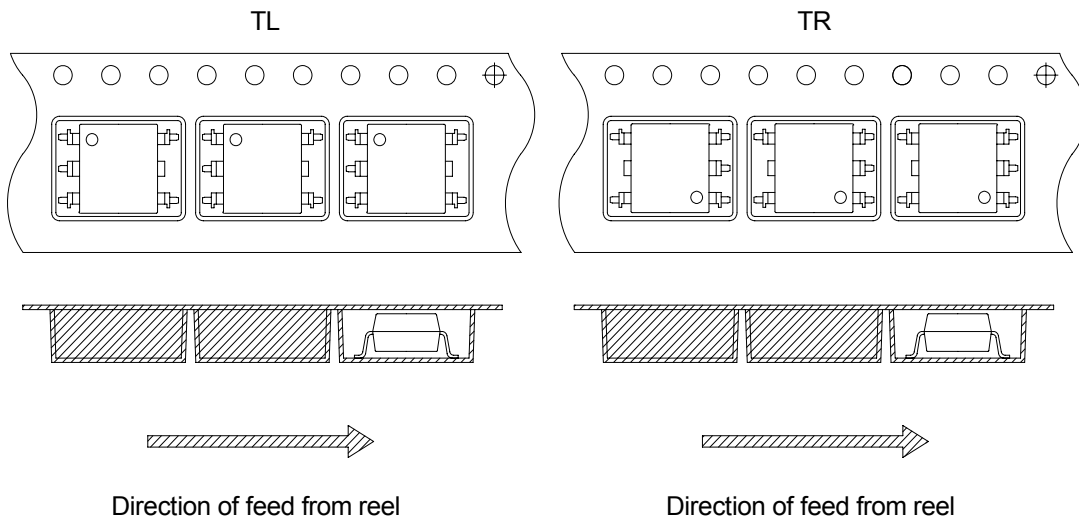
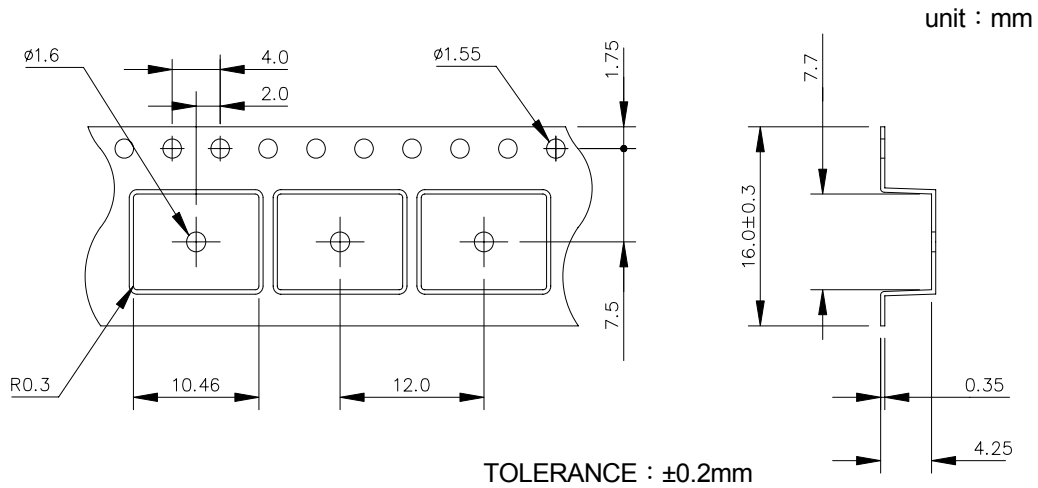
Option	Description	Packing quantity
S (TL)	surface mount type package + TL tape & reel option	1000 units per reel
S (TR)	surface mount type package + TR tape & reel option	1000 units per reel
L (TLD)	long creepage distance for surface mount type package + TLD tape & reel option	1000 units per reel
L (TRU)	long creepage distance for surface mount type package + TRU tape & reel option	1000 units per reel

● Recommended Pad Layout for Surface Mount Lead Form



Unit : mm

● SMD Carrier Tape & Reel





KMOC302X Series

5PIN RANDOM-PHASE TRIAC DRIVER PHOTOCOUPLER

● Application Notice

The content of datasheet is the guidance for product use only. cosmo takes no responsibility to the accuracy of the information provided here. For continuously improving all of products, including quality, reliability, function...etc., cosmo reserves the right to change the specification, characteristics, data, materials, and structure of products without notice. Please contact with cosmo to obtain the latest specification.

It would be required to comply with the absolute maximum ratings listed in the specification. cosmo has no liability and responsibility to the damage caused by improper use of the products.

cosmo products are intended to be designed for use in general electronics application list below:

- a. Personal computer
- b. OA machine
- c. Audio / Video
- d. Instrumentation
- e. Electrical application
- f. Measurement equipment
- g. Consumer electronics
- h. Telecommunication

cosmo devices shall not be used or related with equipment requiring higher level of quality / reliability, or malfunction, or failure which may cause loss of human life, bodily injury, includes, without limitation:

- a. Medical and other life supporting equipments
- b. Space application
- c. Telecommunication equipment (trunk lines)
- d. Nuclear power control
- e. Equipment used for automotive vehicles, trains, ships...etc.

This publication is the property of cosmo. No part of this publication may be reproduced or copied in any form or any means electronically or mechanically for any purpose, in whole or in part without any written permission expressed from cosmo.