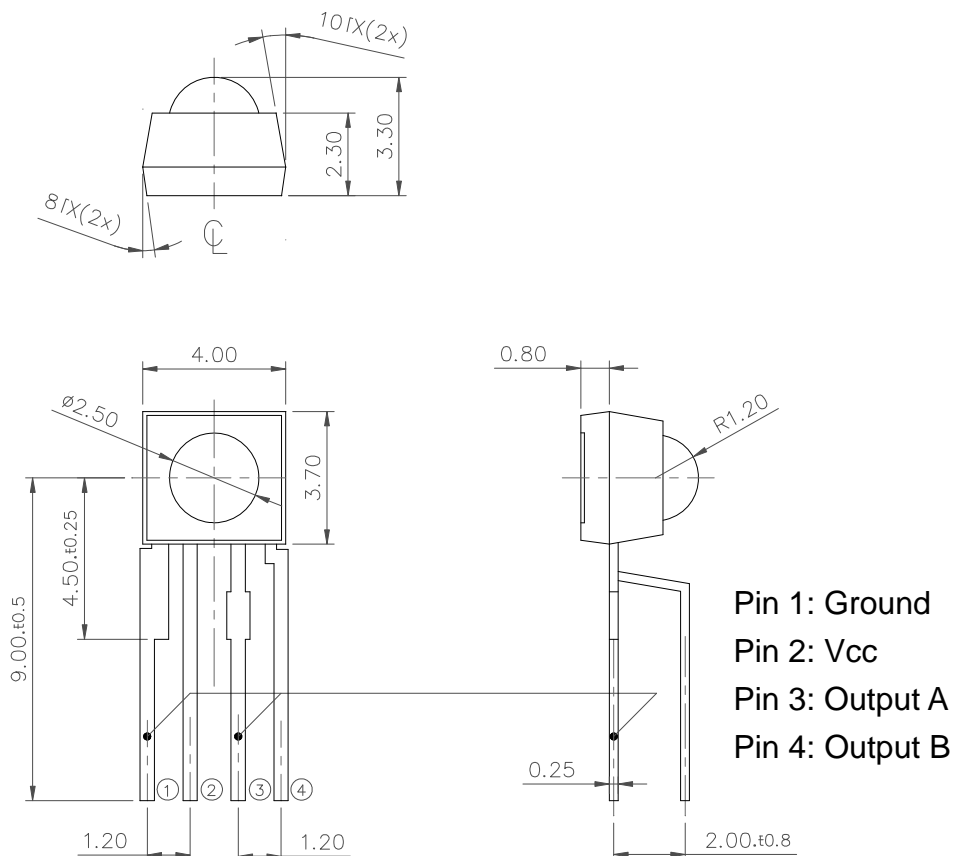


PRODUCT SPECIFICATION

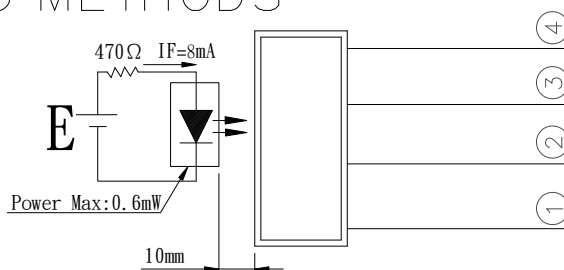
DATE:03/08/2006

| | | | |
|---|---|------------------------------|-----------|
| cosmo ELECTRONICS CORPORATION | Rambo IC : PS201L-2V-1 | NO. 60S01002 SHEET 1 OF 3 | VER. 2 |
| | | | |

Package dimensions :



USING METHODS



Notes

- 1) All dimensions are in millimeters.
- 2) Tolerance is $\pm 0.25\text{mm}$ unless otherwise note.
- 3) Protruded resin under flange 0.5 mm Max.
- 4) Load spacing measured where the leads emerge from the package.

PRODUCT SPECIFICATION

DATE:03/08/2006

| | | | |
|---|-------------|--------------|-----------|
| cosmo ELECTRONICS CORPORATION | Rambo IC : | NO. 60S01002 | VER. 2 |
| | PS201L-2V-1 | SHEET 2 OF 3 | |

Absolute maximum ratings :

(Ta=25°C, unless otherwise specified)

| Characteristics | Symbol | Rating | Unit |
|---------------------------------|--------|-----------------|------|
| Supply voltage | Vcc | -0.2 ~ 7 | V |
| Other voltage | | -0.3 ~ Vcc +0.3 | V |
| Operating temperature | Topr | -20 ~ +75 | °C |
| Storage temperature | Tstr | -20 ~ +80 | °C |
| Soldering temperature 10 Second | Tsol | 260 | °C |

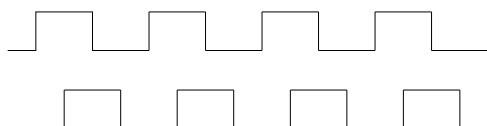
Optical-electrical characteristics :

(Ta=25°C, unless otherwise specified)

| Parameter | Test Conditions | Symbol | Min. | Typ. | Max. | Unit |
|----------------|----------------------------|--------|------|------|------|------|
| Supply voltage | | Vcc | 2.0 | 5 | 5.5 | V |
| Supply current | Vcc=5.5V all output low | Icc | | 0.1 | 3 | μA |
| Output current | Vcc=5V, Voh=4.5V | Ioh | | | -450 | μA |
| | Vcc=5V, Vol=0.5V | Iol | 2.5 | | | mA |

Timing chart :

OUT-A
OUT-B



PRODUCT SPECIFICATION

DATE:03/08/2006

| | | | |
|---|---------------------------|--------------|-----------|
| cosmo ELECTRONICS CORPORATION | Rambo IC : PS201L-2V-1 | NO. 60S01002 | REV. 2 |
| | | SHEET 3 OF 3 | |

Function Block Diagram

