

# Data Sheet

Rev. 1.01 / February 2013

# ZSPM4121

Under-Voltage Load Switch for Smart Battery Management



*Power and Precision*



# ZSPM4121

Under-Voltage Load Switch for Smart Battery Management



## Brief Description

The ZSPM4121 battery management load switch can be used to protect a battery from excessive discharge. It actively monitors the battery voltage and disconnects the battery from the load if the battery drops below a set voltage threshold. When the input battery voltage reaches 500mV above the set voltage threshold, the load switch turns on and connects the battery to the load. The 500mV hysteresis between the Off Mode and the On Mode prevents intermittent operation.

The voltage threshold ( $V_{THRESH}$ ) can be programmed at manufacturing to a customer-selected set point in the voltage range of 1.2V to 4.2V in 100mV increments to support a wide range of applications in consumer, medical, portable, and industrial applications.

This device has ultra-low quiescent current, which makes it ideal for battery-powered applications. Typical quiescent current is 100pA in the Off Mode and 70nA in the On Mode.

The ZSPM4121 includes a slew rate control P-channel load switch, over-current protection, and an open-drain power indicator pin (NPG). The slew-rate controlled turn-on characteristic prevents inrush current and voltage droop on the voltage. The over-current limit protects the device in case of an overload, short-circuit, or ground fault event.

## Benefits

- Best-in-class ultra-low quiescent current in Off Mode: 100pA (typical)
- Ultra-low quiescent current in On Mode: 70nA (typical)
- Accurate on/off voltage threshold
- Low  $R_{ds(on)}$ : 175m $\Omega$  (typical) @ 5V

## Features

- Threshold voltage options of 1.2V to 4.2V in 100mV steps (factory programmed)
- Wide input voltage range: 1.2V to 5.5V
- Supervisory over-current limit shutdown: (3A)
- Low drop-out disconnect from VCC to loads
- Controlled turn-on slew rate
- 500mV Off Mode to On Mode hysteresis

## Related ZMDI Smart Power Products

- ZSPM4141 Ultra-Low-Power Linear Regulator

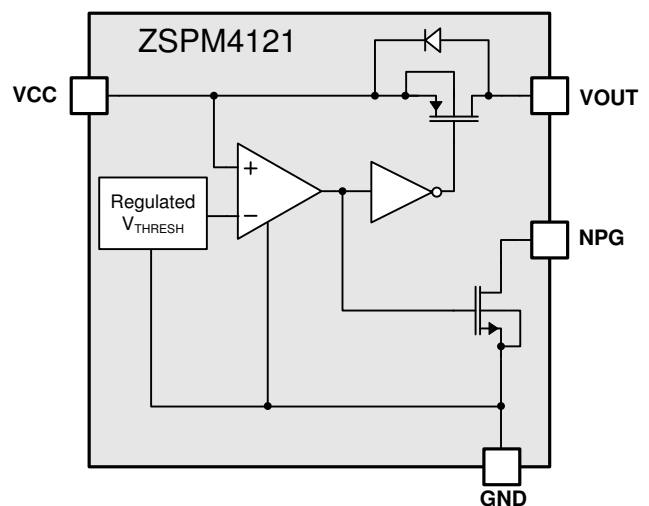
## Available Support

- Evaluation Kit
- Support Documentation

## Physical Characteristics

- Package: 8-pin DFN (2mm x 2mm)

## ZSPM4121 Block Diagram



For more information, contact ZMDI via [Analog@zmdi.com](mailto:Analog@zmdi.com).

# ZSPM4121

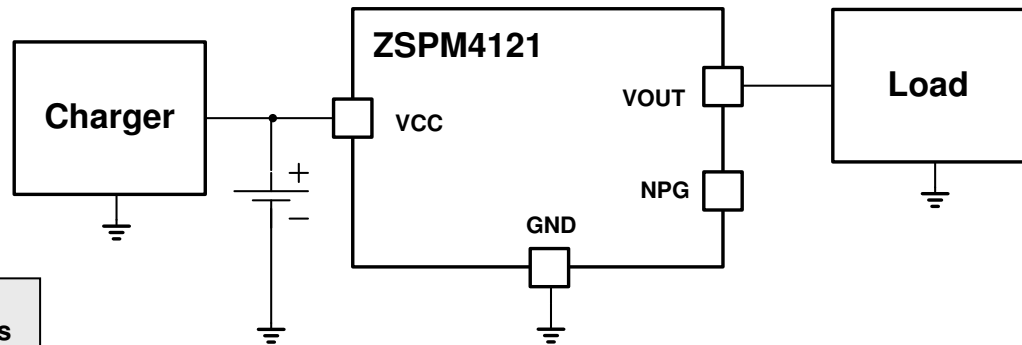
Under-Voltage Load Switch for Smart Battery Management

**ZMDI**<sup>®</sup>

The Analog Mixed Signal Company



## Typical Application Circuit



### Typical Applications

- Portable batteries
- Industrial
- Medical
- Smart cards
- RFID

## Ordering Information

Ordering Code*	Description	Package
ZSPM4121AI1 W17	ZSPM4121 Under-Voltage Load Switch— $V_{THRESH}$ factory set to 1.7V	8-pin DFN / 7" Reel (2500)
ZSPM4121AI1 W21	ZSPM4121 Under-Voltage Load Switch— $V_{THRESH}$ factory set to 2.1V	8-pin DFN / 7" Reel (2500)
ZSPM4121AI1 W23	ZSPM4121 Under-Voltage Load Switch— $V_{THRESH}$ factory set to 2.3V	8-pin DFN / 7" Reel (2500)
ZSPM4121AI1 W24	ZSPM4121 Under-Voltage Load Switch— $V_{THRESH}$ factory set to 2.4V	8-pin DFN / 7" Reel (2500)
ZSPM4121AI1 W25	ZSPM4121 Under-Voltage Load Switch— $V_{THRESH}$ factory set to 2.5V	8-pin DFN / 7" Reel (2500)
ZSPM4121AI1 W26	ZSPM4121 Under-Voltage Load Switch— $V_{THRESH}$ factory set to 2.6V	8-pin DFN / 7" Reel (2500)
ZSPM4121AI1 W28	ZSPM4121 Under-Voltage Load Switch— $V_{THRESH}$ factory set to 2.8V	8-pin DFN / 7" Reel (2500)
ZSPM4121AI1 W30	ZSPM4121 Under-Voltage Load Switch— $V_{THRESH}$ factory set to 3.0V	8-pin DFN / 7" Reel (2500)
ZSPM4121KIT	ZSPM4121 Evaluation Kit	

\* For a 13" reel (3300 parts), replace the W in the ordering code with an R. Custom  $V_{THRESH}$  values are also available: 1.2V to 4.2V (typical) in 100mV increments.

## Sales and Further Information

[www.zmdi.com](http://www.zmdi.com)

[Analog@zmdi.com](mailto:Analog@zmdi.com)

<b>Zentrum Mikroelektronik Dresden AG</b> Grenzstrasse 28 01109 Dresden Germany  Phone +49.351.8822.7.776 Fax +49.351.8822.8.7776	<b>ZMD America, Inc.</b> 1525 McCarthy Blvd., #212 Milpitas, CA 95035-7453 USA  Phone +855.275.9634 (USA) Phone +408.883.6310 Fax +408.883.6358	<b>Zentrum Mikroelektronik Dresden AG, Japan Office</b> 2nd Floor, Shinbashi Tokyu Bldg. 4-21-3, Shinbashi, Minato-ku Tokyo, 105-0004 Japan  Phone +81.3.6895.7410 Fax +81.3.6895.7301	<b>ZMD Far East, Ltd.</b> 3F, No. 51, Sec. 2, Keelung Road 11052 Taipei Taiwan  Phone +886.2.2377.8189 Fax +886.2.2377.8199	<b>Zentrum Mikroelektronik Dresden AG, Korea Office</b> U-space 1 Building 11th Floor, Unit JA-1102 670 Sampyeong-dong Bundang-gu, Seongnam-si Gyeonggi-do, 463-400 Korea  Phone +82.31.950.7679 Fax +82.504.841.3026
---	--	---	--	--

**DISCLAIMER:** This information applies to a product under development. Its characteristics and specifications are subject to change without notice. Zentrum Mikroelektronik Dresden AG (ZMD AG) assumes no obligation regarding future manufacture unless otherwise agreed to in writing. The information furnished hereby is believed to be true and accurate. However, under no circumstances shall ZMD AG be liable to any customer, licensee, or any other third party for any special, indirect, incidental, or consequential damages of any kind or nature whatsoever arising out of or in any way related to the furnishing, performance, or use of this technical data. ZMD AG hereby expressly disclaims any liability of ZMD AG to any customer, licensee or any other third party, and any such customer, licensee and any other third party hereby waives any liability of ZMD AG for any damages in connection with or arising out of the furnishing, performance or use of this technical data, whether based on contract, warranty, tort (including negligence), strict liability, or otherwise.



## Contents

1	ZSPM4121 Characteristics.....	6
1.1.	Absolute Maximum Ratings.....	6
1.2.	Thermal Characteristics.....	6
1.3.	Recommended Operating Conditions.....	6
1.4.	Electrical Characteristics.....	7
2	Typical Performance Characteristics.....	8
3	Description of Circuit.....	9
4	Application Circuit.....	10
4.1.	Typical Application Circuit.....	10
5	Pin Configuration and Package.....	11
5.1.	Package Dimensions and Marking Diagram.....	11
5.2.	Pin Description for 8-Pin DFN (2x2 mm).....	12
6	Layout and Soldering Requirements.....	13
6.1.	Recommended Landing Pattern for PCBs.....	13
6.2.	Multi-Layer PCB Layout.....	14
6.3.	Single-Layer PCB Layout.....	15
7	Ordering Information.....	16
8	Related Documents.....	16
9	Glossary.....	16
10	Document Revision History.....	17

## List of Figures

Figure 2.1	On Mode / Off Mode Characteristics.....	8
Figure 2.2	On Mode Switching Behavior.....	8
Figure 2.3	On Mode / Off Mode Quiescent Current $I_q$ .....	8
Figure 2.4	Off Mode $V_{THRESH}$ Temperature Performance.....	8
Figure 2.5	On Mode / Off Mode Transition Delay.....	9
Figure 2.6	Over-Current Retry Performance.....	9
Figure 3.1	ZSPM4121 Block Diagram.....	9
Figure 4.1	Application Circuit for Disconnecting the Load.....	10
Figure 5.1	ZSPM4121 Package Drawing.....	11
Figure 5.2	ZSPM4121 Pin Assignments (top view).....	12
Figure 6.1	Recommended Landing Pattern for 8-Pin DFN.....	13
Figure 6.2	Package and PCB Land Configuration for Multi-Layer PCB.....	14
Figure 6.3	JEDEC Standard FR4 Multi-Layer Board – Cross-Sectional View.....	14
Figure 6.4	Conducting Heat Away from the Die using an Exposed Pad Package.....	15
Figure 6.5	Application Using a Single-Layer PCB.....	15

# ZSPM4121

Under-Voltage Load Switch for Smart Battery Management



The Analog Mixed Signal Company



## List of Tables

Table 1.1	Absolute Maximum Ratings .....	6
Table 1.2	Thermal Characteristics for 8-Pin DFN (2mm x 2mm) Package .....	6
Table 1.3	Recommended Operating Conditions.....	6
Table 1.4	Electrical Characteristics.....	7
Table 5.1	Pin Description, 8-Pin DFN (2x2).....	12



## 1 ZSPM4121 Characteristics

Stresses beyond those listed under “Absolute Maximum Ratings” (section 1.1) may cause permanent damage to the device. These are stress ratings only. Functional operation of the device at these or any other conditions beyond those recommended under “Recommended Operating Conditions” (section 1.3) is not implied. Exposure to absolute–maximum conditions for extended periods may affect device reliability.

### 1.1. Absolute Maximum Ratings

Over operating free–air temperature range unless otherwise noted. All voltage values are with respect to network ground terminal.

**Table 1.1 Absolute Maximum Ratings**

Parameter	Symbol	Value	Unit
Maximum voltage applied to the VCC, VOUT, and NPG pins		-0.3 to 6.0	V
Electrostatic Discharge – Human Body Model, according to the respective JESD22 JEDEC standard		2	kV
Electrostatic Discharge – Charged Device Model, according to the respective JESD22-C101 JEDEC standard		500	V
Operating Junction Temperature Range	$T_J$	-20 to 85	°C
Storage Temperature Range	$T_{stg}$	-65 to 150	°C
Lead Temperature (soldering, 10 seconds)		260	°C

### 1.2. Thermal Characteristics

**Table 1.2 Thermal Characteristics for 8-Pin DFN (2mm x 2mm) Package**

$\theta_{JA}$ (°C/W) <sup>1)</sup>	$\theta_{JC}$ (°C/W) <sup>2)</sup>
73.1	10.7
<p>1) This rating assumes a FR4 board only.</p> <p>2) This rating assumes a 1oz. copper JEDEC standard board with thermal vias. See section 6.1 for more information.</p>	

### 1.3. Recommended Operating Conditions

**Table 1.3 Recommended Operating Conditions**

Parameter	Symbol	Min	Typ	Max	Unit
Unregulated Supply Input at VCC Pin	$V_{CC}$	1.2		5.5	V
Operating Ambient Temperature <sup>1)</sup>	$T_A$	-20		55	°C
Operating Junction Temperature	$T_J$	-20		85	°C
<p>1) Operating ambient temperature is only intended as a guideline. The operating junction temperature requirements must not be exceeded.</p>					

# ZSPM4121

Under-Voltage Load Switch for Smart Battery Management



## 1.4. Electrical Characteristics

Electrical characteristics for  $V_{CC} = 1.2V$  to  $5.5V$  (unless otherwise noted). Minimum and maximum characteristics are tested at  $T_J = 25^\circ C$ .

**Table 1.4** Electrical Characteristics

Parameter	Symbol	Condition	Min	Typ	Max	Unit
<b>Input Supply</b>						
Input Supply Voltage at VCC pin	$V_{CC}$		1.2		5.5	V
Quiescent Current: On Mode	$I_{q-ON}$	$V_{CC} = 5V$ , no load		70	150	nA
Quiescent Current: Off Mode	$I_{q-OFF}$	$V_{CC} < V_{THRESH}$ , no load		100		pA
<b>Load Switch</b>						
Over-Current Shutdown	$I_{OC}$	$V_{CC} = 5.0V$		3		A
Over-Current Retry Period	$t_{OC}$	$V_{CC} = 5.0V$		1.7		ms
Output Switch Leakage Current	$I_{LEAK-SW}$	$V_{CC} < V_{THRESH}$ ; $V_{OUT}$ grounded		100		pA
Switch ON-Resistance	Rds-on	$V_{CC} = 5.0V$		175		m $\Omega$
		$V_{CC} = 3.3V$		200		m $\Omega$
		$V_{CC} = 1.8V$		350		m $\Omega$
<b>Transition Times</b>						
Transition Delay: On Mode to Off Mode	$t_{d1}$	$V_{OFF} = 2.0V$ , $V_{CC} = 3.0V \rightarrow 1.5V$		650		$\mu s$
Transition Delay: Off Mode to On Mode	$t_{d2}$	$V_{OFF} = 2.0V$ , $V_{CC} = 1.5V \rightarrow 3.0V$		1.7		ms
Output Turn-on Rise Time	$t_{ON}$	$V_{CC} = 2.5V$ , $R_{LOAD} = 50\Omega$		200		$\mu s$
<b>NPG Output</b>						
Output Leakage	$I_{LEAK-NPG}$	$V_{CC} = 5.0V$ , $V_{NPG} = 5.5V$			100	nA
Low-Level Output Voltage	$V_{OL-NPG}$	$I_{NPG} = 5 mA$			0.4	V
<b>Off Thresholds</b>						
Off Threshold	$V_{OFF}$	$V_{THRESH}$ = customer-selected threshold voltage in the range of 1.2V to 4.2V with 100mV steps between options programmed at manufacturing	$0.95 * V_{THRESH}$	$V_{THRESH}$	$1.05 * V_{THRESH}$	V
Off Mode to On Mode Hysteresis	$V_{Hys}$	Rising Transition: Off Mode to On Mode		500		mV

# ZSPM4121

Under-Voltage Load Switch for Smart Battery Management



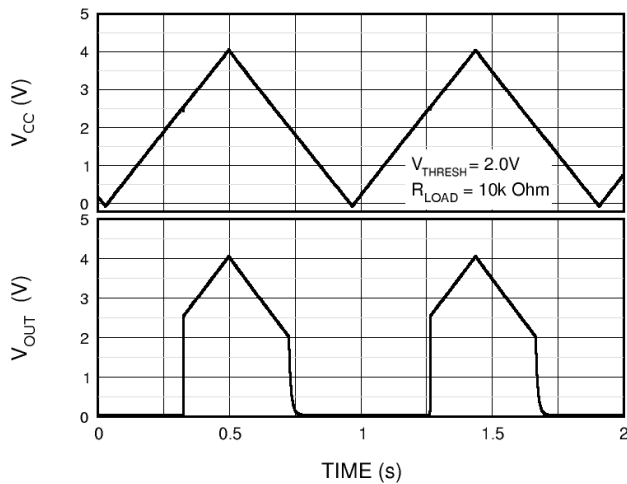
The Analog Mixed Signal Company



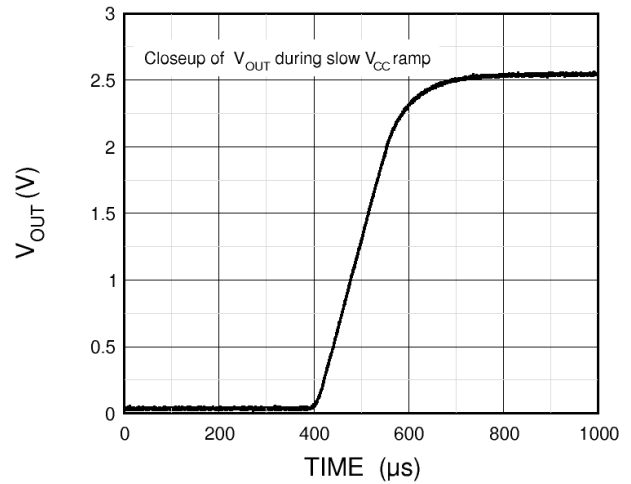
## 2 Typical Performance Characteristics

T = 25°C (unless otherwise noted)

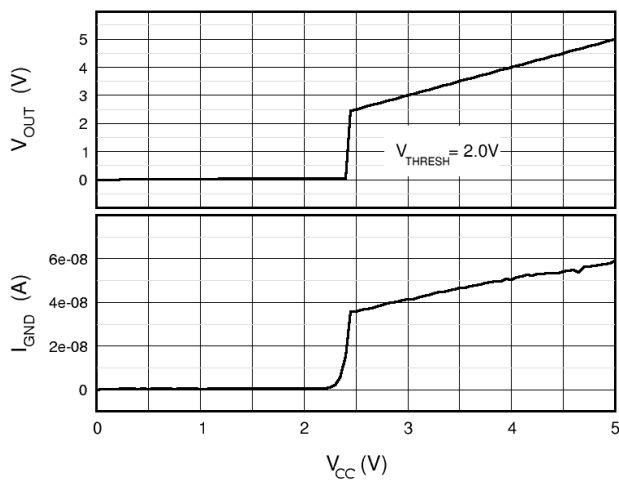
**Figure 2.1 On Mode / Off Mode Characteristics**



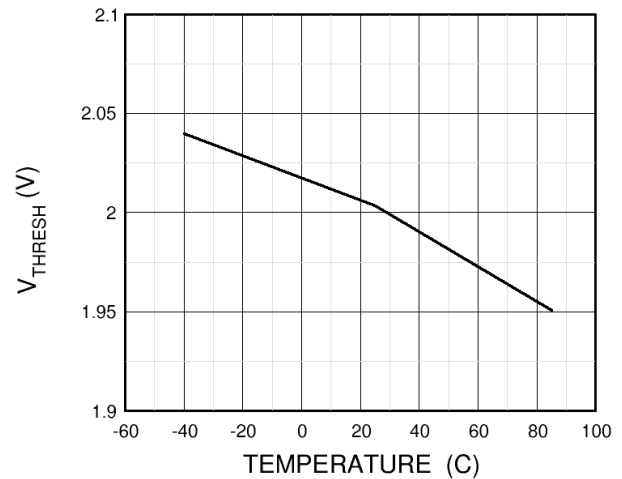
**Figure 2.2 On Mode Switching Behavior**



**Figure 2.3 On Mode / Off Mode Quiescent Current  $I_q$**



**Figure 2.4 Off Mode  $V_{THRESH}$  Temperature Performance**



# ZSPM4121

Under-Voltage Load Switch for Smart Battery Management



The Analog Mixed Signal Company



Figure 2.5 On Mode / Off Mode Transition Delay

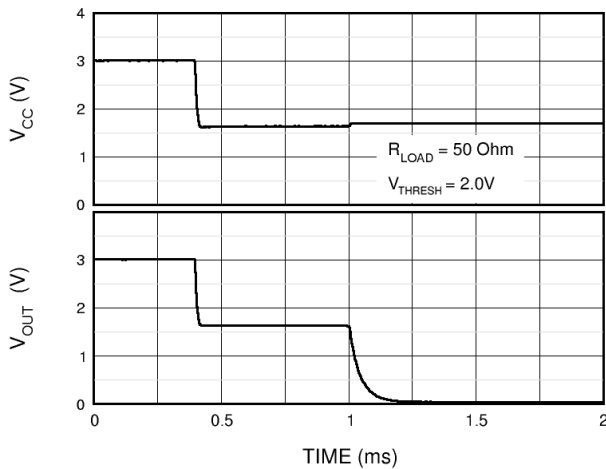
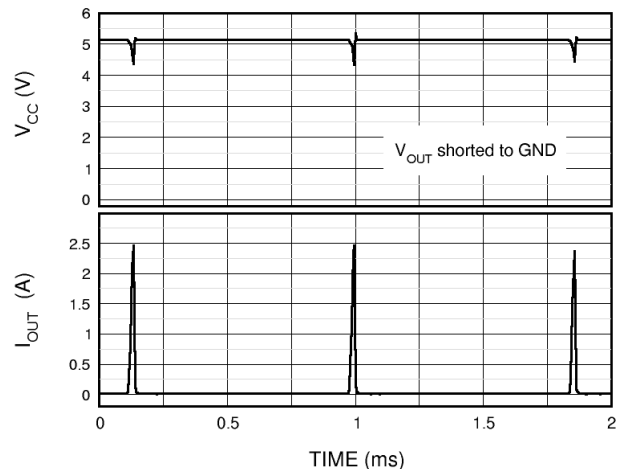


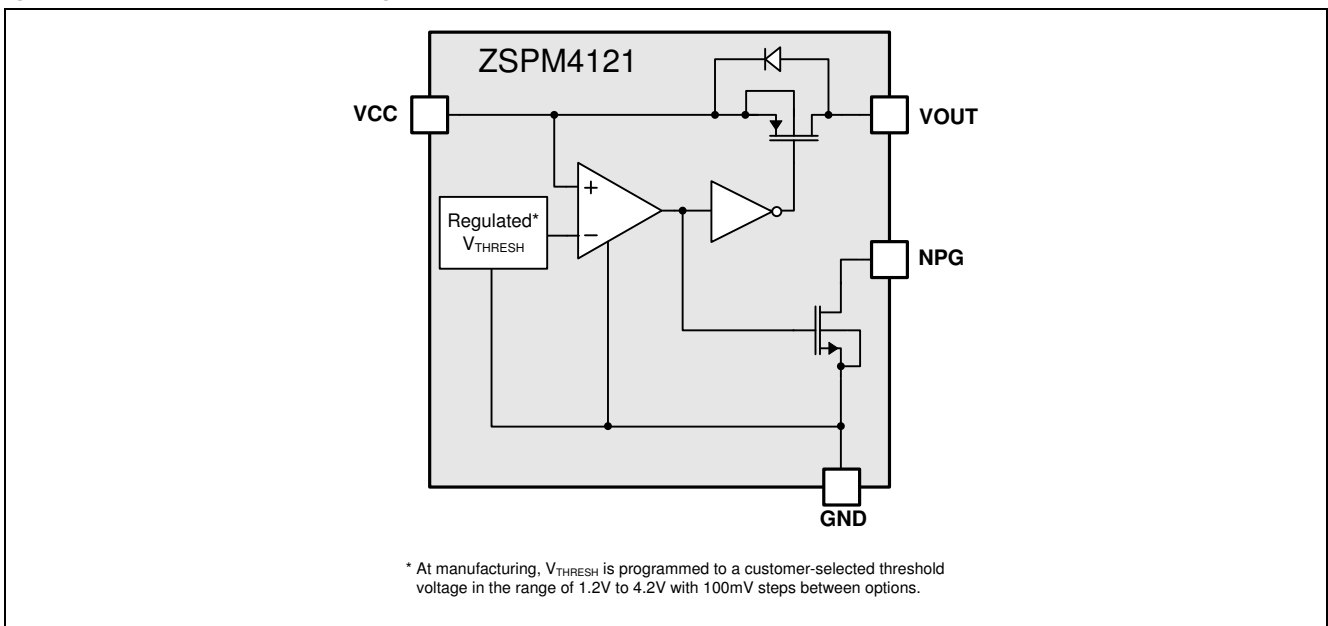
Figure 2.6 Over-Current Retry Performance



## 3 Description of Circuit

The ZSPM4121 battery management load switch includes an internally generated threshold voltage, comparator with hysteresis, slew rate control for the load switch, a P-channel load switch, and an open-drain indicator pin. When the input battery voltage rises to 500mV above the threshold, the load switch turns on (the On Mode). When the input battery voltage falls to the threshold voltage or below, the load switch is off (the Off Mode), and the quiescent current draw on the battery is in the order of 100pA (typical). The ZSPM4121 threshold voltage is programmed at manufacturing to an option in the range of 1.2V to 4.2V with 100mV steps between options. The 500mV hysteresis between the Off Mode and the On Mode prevents intermittent operation. The ZSPM4121 also provides over-current protection.

Figure 3.1 ZSPM4121 Block Diagram



# ZSPM4121

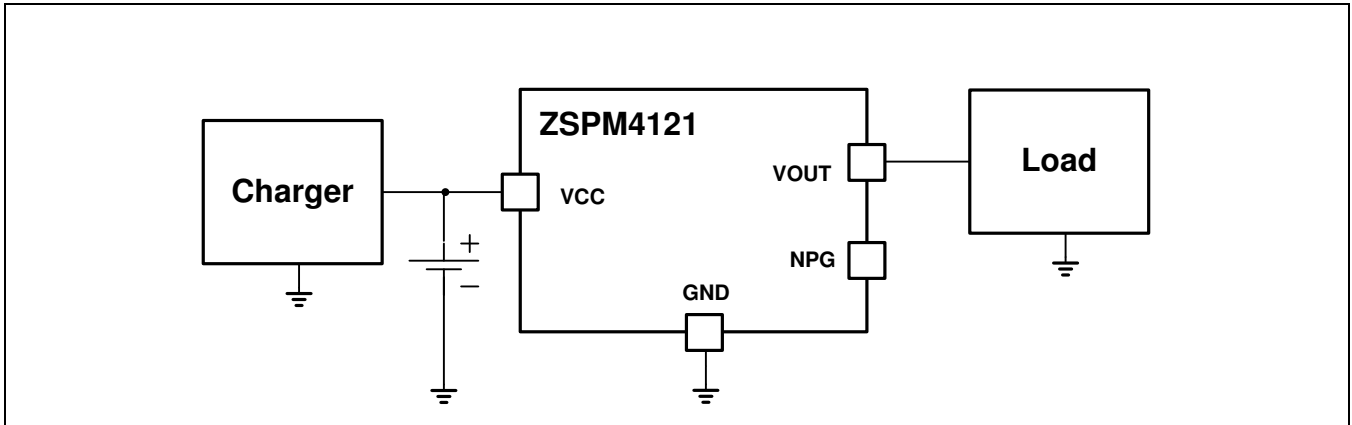
Under-Voltage Load Switch for Smart Battery Management



## 4 Application Circuit

### 4.1. Typical Application Circuit

Figure 4.1 Application Circuit for Disconnecting the Load



# ZSPM4121

Under-Voltage Load Switch for Smart Battery Management



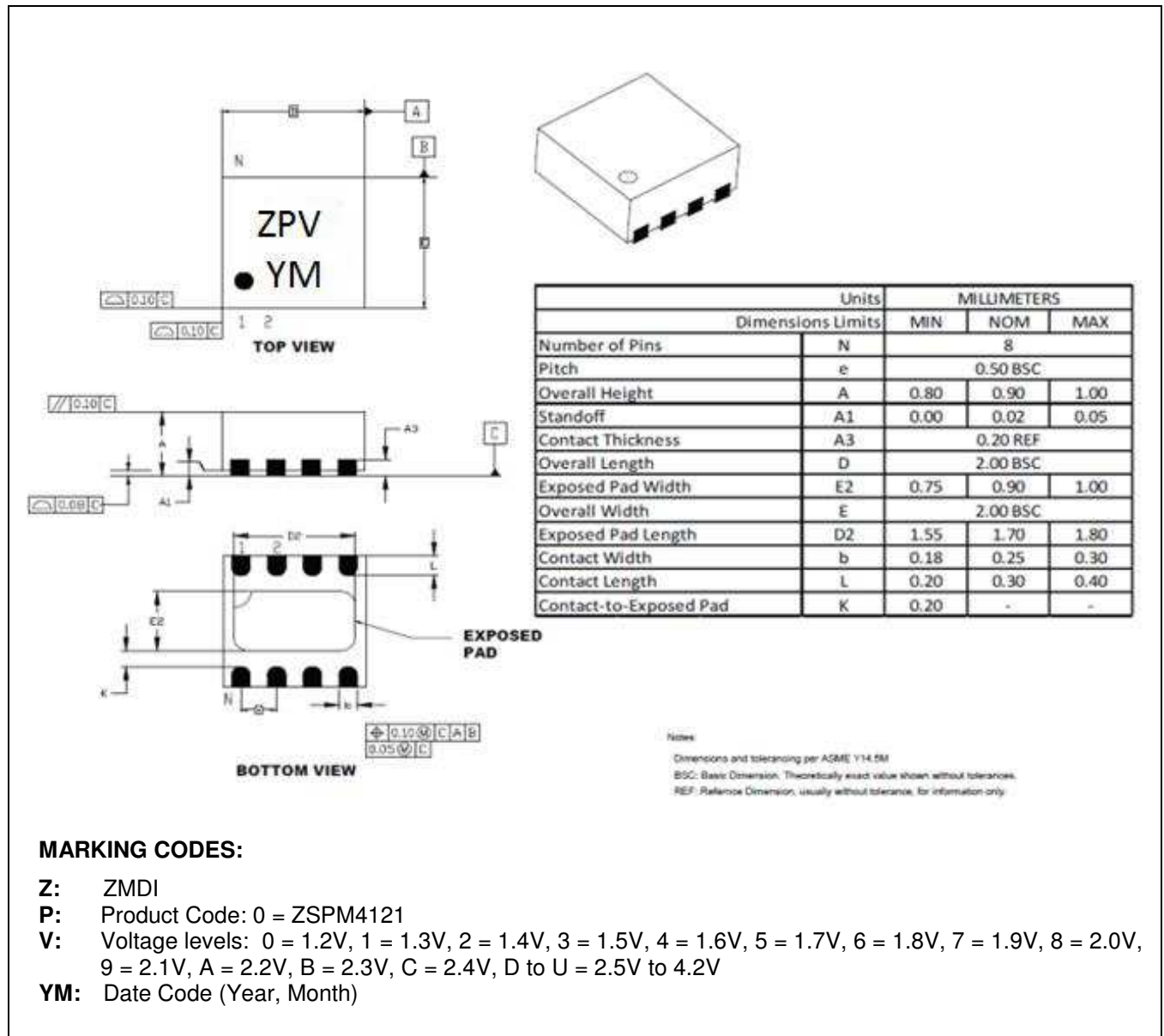
The Analog Mixed Signal Company



## 5 Pin Configuration and Package

### 5.1. Package Dimensions and Marking Diagram

Figure 5.1 ZSPM4121 Package Drawing



# ZSPM4121

Under-Voltage Load Switch for Smart Battery Management



The Analog Mixed Signal Company



## 5.2. Pin Description for 8-Pin DFN (2x2 mm)

Figure 5.2 ZSPM4121 Pin Assignments (top view)

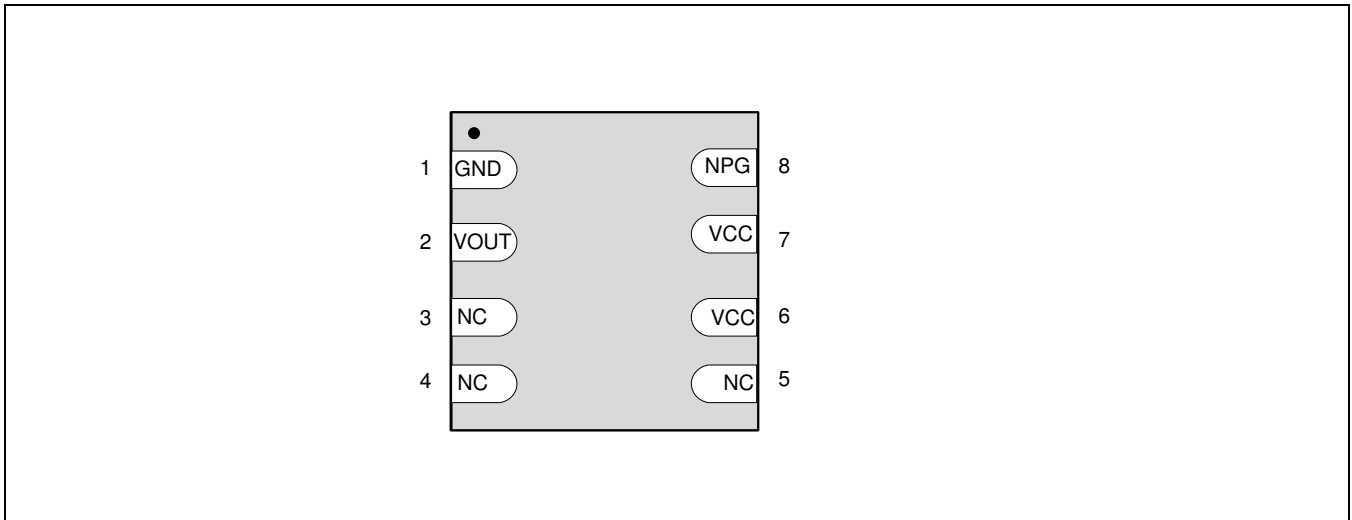


Table 5.1 Pin Description, 8-Pin DFN (2x2)

Pin #	Name	Function	Description
1	GND	Ground	GND
2	VOUT	Output	Output to system load
3	NC		No connection (connect to GND or float)
4	NC		No connection (connect to GND or float)
5	NC		No connection (connect to GND or float)
6	VCC	Supply	Supply input (connect to pin 7 and VCC supply rail)
7	VCC	Supply	Supply input (connect to pin 6 and VCC supply rail)
8	NPG	Output	Open-drain N-channel output (low indicates "Power Good")

# ZSPM4121

Under-Voltage Load Switch for Smart Battery Management



The Analog Mixed Signal Company

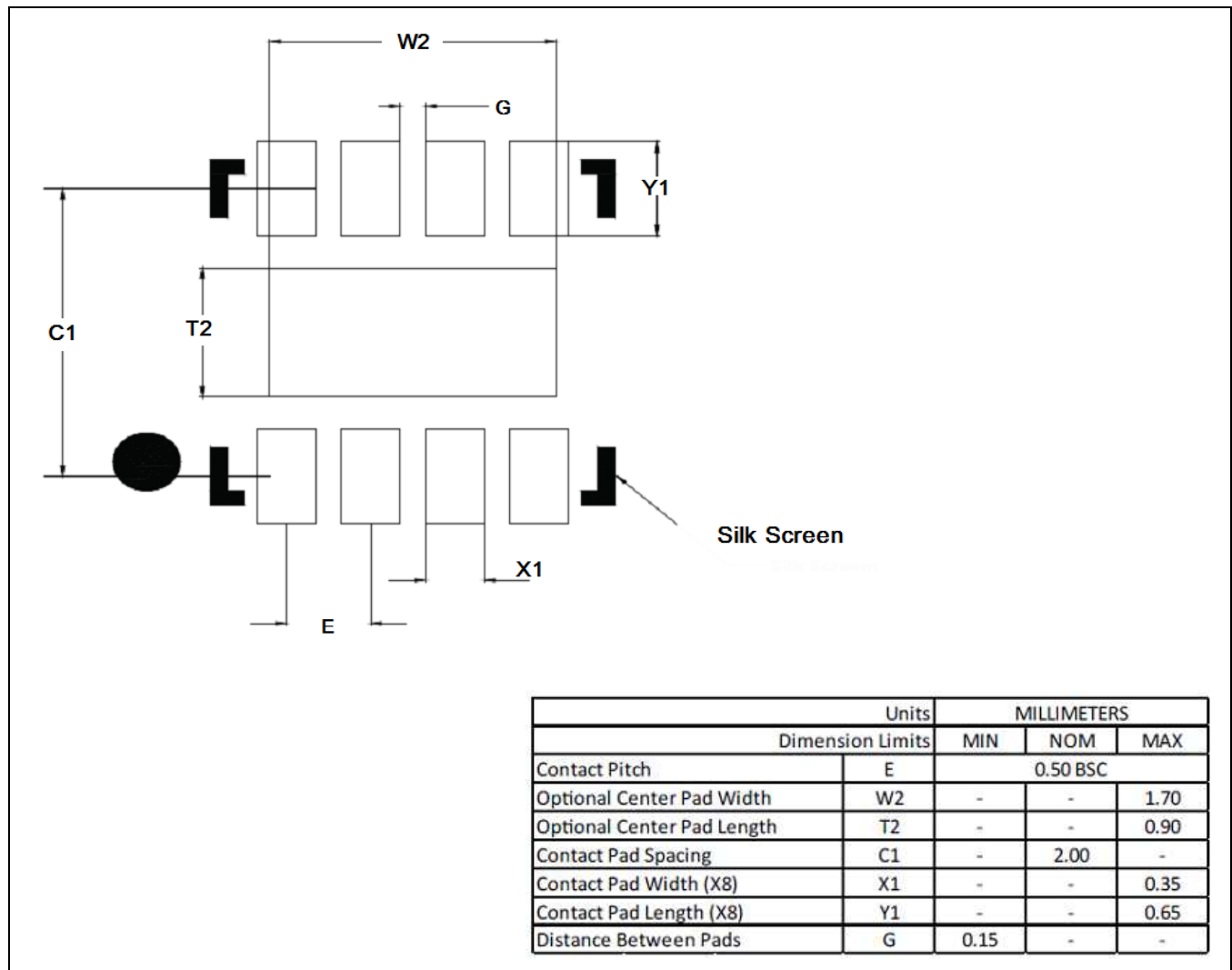


## 6 Layout and Soldering Requirements

To maximize the efficiency of this package for applications on a single layer or multi-layer printed circuit board (PCB), certain guidelines must be followed when laying out this part on the PCB.

### 6.1. Recommended Landing Pattern for PCBs

Figure 6.1 Recommended Landing Pattern for 8-Pin DFN



# ZSPM4121

Under-Voltage Load Switch for Smart Battery Management



The Analog Mixed Signal Company



## 6.2. Multi-Layer PCB Layout

The following are guidelines for mounting the exposed pad ZSPM4121 on a multi-Layer PCB with ground a plane. In a multi-layer board application, the thermal vias are the primary method of heat transfer from the package thermal pad to the internal ground plane. The efficiency of this method depends on several factors, including die area, number of thermal vias, and thickness of copper, etc.

Figure 6.2 Package and PCB Land Configuration for Multi-Layer PCB

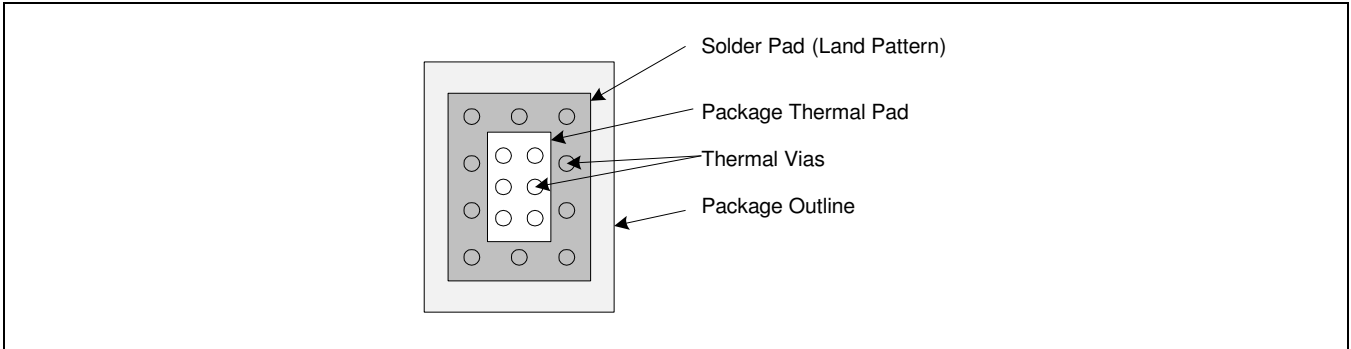


Figure 6.3 JEDEC Standard FR4 Multi-Layer Board – Cross-Sectional View

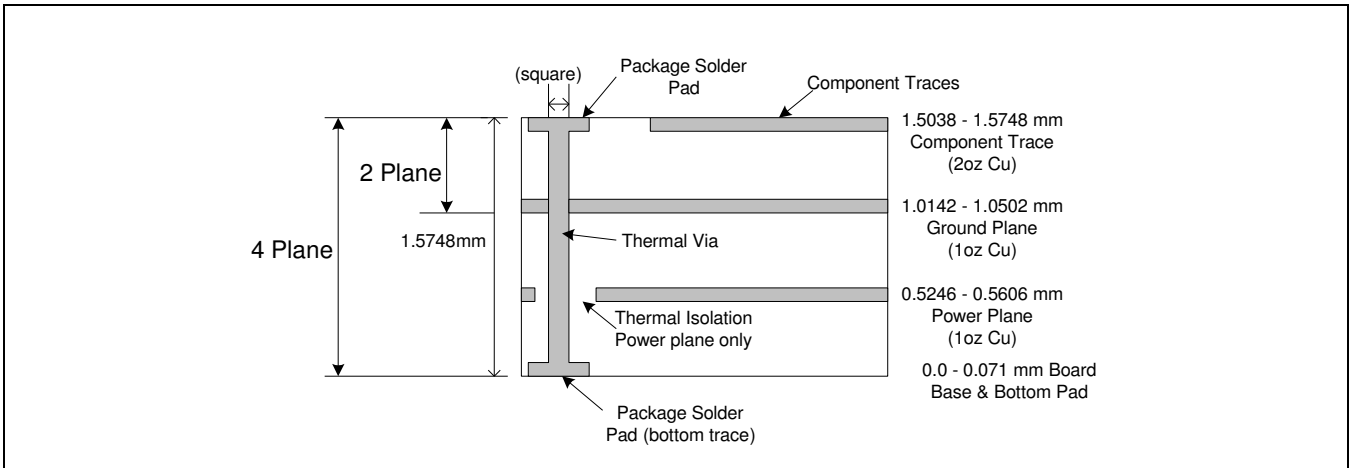


Figure 6.4 is a representation of how the heat can be conducted away from the die using an exposed pad package. Each application will have different requirements and limitations, and therefore the user should use sufficient copper to dissipate the power in the system. The output current rating of the linear regulators might need to be de-rated for higher ambient temperatures. The de-rated value will depend on the calculated worst-case power dissipation and the thermal management implementation in the application.

# ZSPM4121

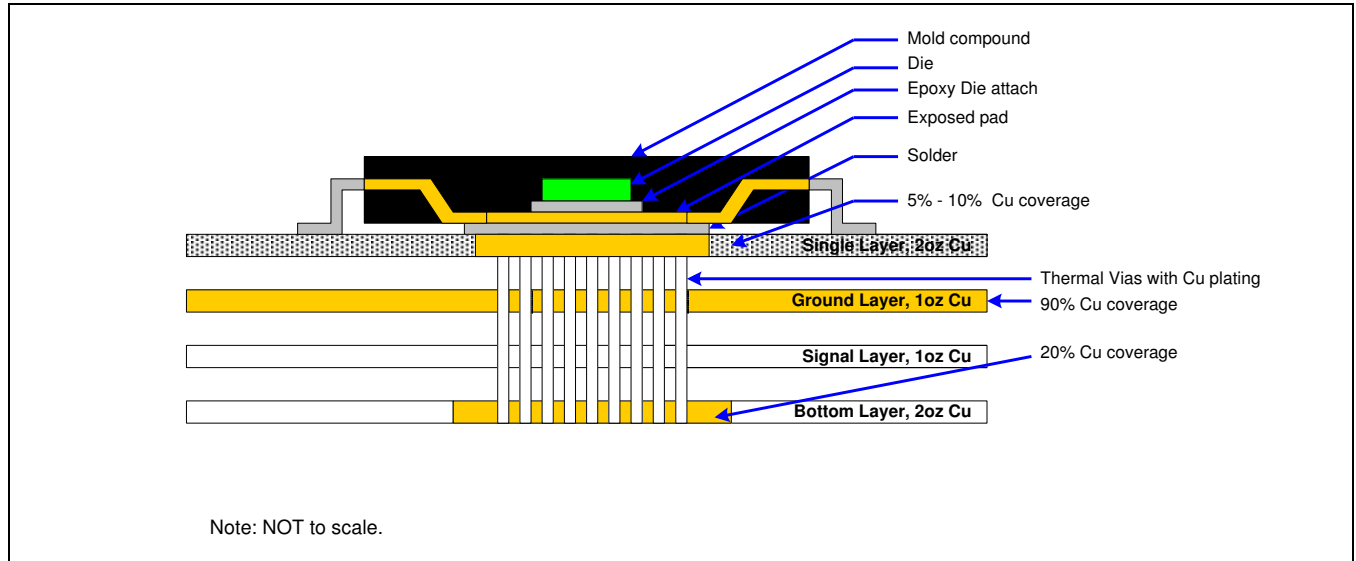
Under-Voltage Load Switch for Smart Battery Management

**ZMDI**<sup>®</sup>

The Analog Mixed Signal Company



**Figure 6.4** Conducting Heat Away from the Die using an Exposed Pad Package

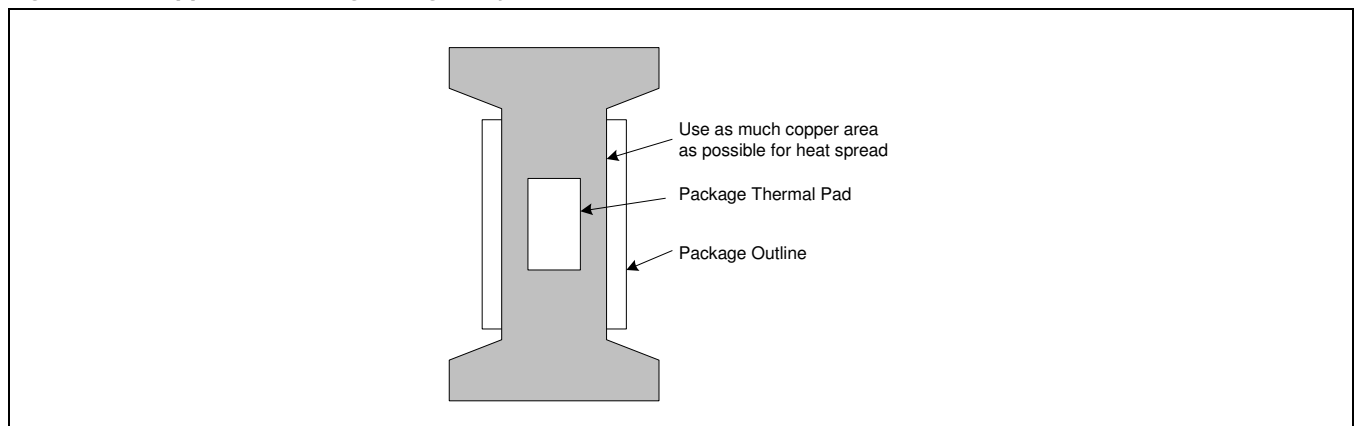


## 6.3. Single-Layer PCB Layout

Layout recommendations for a single-layer PCB: Utilize as much copper area for power management as possible. In a single-layer board application, the thermal pad is attached to a heat spreader (copper areas) by using a low thermal impedance attachment method (solder paste or thermal conductive epoxy).

In both of the methods mentioned above, it is advisable to use as much copper trace as possible to dissipate the heat.

**Figure 6.5** Application Using a Single-Layer PCB



**Important:** If the attachment method is NOT implemented correctly, the functionality of the product is NOT guaranteed. Power dissipation capability will be adversely affected if the device is incorrectly mounted onto the circuit board.

# ZSPM4121

Under-Voltage Load Switch for Smart Battery Management



## 7 Ordering Information

Ordering Code*	Description	Package
ZSPM4121AI1 W17	ZSPM4121 Under-Voltage Load Switch— $V_{THRESH}$ factory set to 1.7V	8-pin DFN / 7" Reel (2500)
ZSPM4121AI1 W21	ZSPM4121 Under-Voltage Load Switch— $V_{THRESH}$ factory set to 2.1V	8-pin DFN / 7" Reel (2500)
ZSPM4121AI1 W23	ZSPM4121 Under-Voltage Load Switch— $V_{THRESH}$ factory set to 2.3V	8-pin DFN / 7" Reel (2500)
ZSPM4121AI1 W24	ZSPM4121 Under-Voltage Load Switch— $V_{THRESH}$ factory set to 2.4V	8-pin DFN / 7" Reel (2500)
ZSPM4121AI1 W25	ZSPM4121 Under-Voltage Load Switch— $V_{THRESH}$ factory set to 2.5V	8-pin DFN / 7" Reel (2500)
ZSPM4121AI1 W26	ZSPM4121 Under-Voltage Load Switch— $V_{THRESH}$ factory set to 2.6V	8-pin DFN / 7" Reel (2500)
ZSPM4121AI1 W28	ZSPM4121 Under-Voltage Load Switch— $V_{THRESH}$ factory set to 2.8V	8-pin DFN / 7" Reel (2500)
ZSPM4121AI1 W30	ZSPM4121 Under-Voltage Load Switch— $V_{THRESH}$ factory set to 3.0V	8-pin DFN / 7" Reel (2500)
ZSPM4121KIT	ZSPM4121 Evaluation Kit	

\* For a 13" reel (3300 parts), replace the W in the ordering code with an R. Custom  $V_{THRESH}$  values are also available: 1.2V to 4.2V (typical) in 100mV increments.

## 8 Related Documents

Document	File Name
ZSPM4121 Feature Sheet	ZSPM4121_Feature_Sheet_revX_xy.pdf
ZSPM4121 Evaluation Kit Description	ZSPM4121_Eval_Kit_Description_revX_xy.pdf
ZSPM4121 Application Note—Low Power Battery Control and Voltage Regulator Solutions for Remote Sensor Networks	ZSPM4121_App_Note_LP-Batt-Contr-VReg-Remote-Sensor-Net_X_xy.pdf

Note: X\_xy refers to the current revision of the document.

Visit ZMDI's website [www.zmdi.com](http://www.zmdi.com) or contact your nearest sales office for the latest version of these documents.

## 9 Glossary

Term	Description
PG	Power Good (NPG = Power Good, active low)
RFID	Radio Frequency Identification
SPM	Smart Power Management

# ZSPM4121

Under-Voltage Load Switch for Smart Battery Management

**ZMDI**<sup>®</sup>

The Analog Mixed Signal Company



## 10 Document Revision History

Revision	Date	Description
1.00	April 30, 2012	First release
1.01	February 7, 2013	Addition of "Electrostatic Discharge – Charged Device Model" specification in section 1.1. Update for block diagram. Updates for V designation in marking codes in section 5. Edits for clarity. Update to ZMDI contact information.

### Sales and Further Information

[www.zmdi.com](http://www.zmdi.com)

[Analog@zmdi.com](mailto:Analog@zmdi.com)

**Zentrum Mikroelektronik Dresden AG**  
Grenzstrasse 28  
01109 Dresden  
Germany

Phone +49.351.8822.7.776  
Fax +49.351.8822.8.7776

**ZMD America, Inc.**  
1525 McCarthy Blvd., #212  
Milpitas, CA 95035-7453  
USA

Phone +855.275.9634 (USA)  
Phone +408.883.6310  
Fax +408.883.6358

**Zentrum Mikroelektronik Dresden AG, Japan Office**  
2nd Floor, Shinbashi Tokyu Bldg.  
4-21-3, Shinbashi, Minato-ku  
Tokyo, 105-0004  
Japan

Phone +81.3.6895.7410  
Fax +81.3.6895.7301

**ZMD Far East, Ltd.**  
3F, No. 51, Sec. 2,  
Keelung Road  
11052 Taipei  
Taiwan

Phone +886.2.2377.8189  
Fax +886.2.2377.8199

**Zentrum Mikroelektronik Dresden AG, Korea Office**  
U-space 1 Building  
11th Floor, Unit JA-1102  
670 Sampyeong-dong  
Bundang-gu, Seongnam-si  
Gyeonggi-do, 463-400  
Korea

Phone +82.31.950.7679  
Fax +82.504.841.3026

**DISCLAIMER:** This information applies to a product under development. Its characteristics and specifications are subject to change without notice. Zentrum Mikroelektronik Dresden AG (ZMD AG) assumes no obligation regarding future manufacture unless otherwise agreed to in writing. The information furnished hereby is believed to be true and accurate. However, under no circumstances shall ZMD AG be liable to any customer, licensee, or any other third party for any special, indirect, incidental, or consequential damages of any kind or nature whatsoever arising out of or in any way related to the furnishing, performance, or use of this technical data. ZMD AG hereby expressly disclaims any liability of ZMD AG to any customer, licensee or any other third party, and any such customer, licensee and any other third party hereby waives any liability of ZMD AG for any damages in connection with or arising out of the furnishing, performance or use of this technical data, whether based on contract, warranty, tort (including negligence), strict liability, or otherwise.