

CO43025L-32.768KHZ-TR

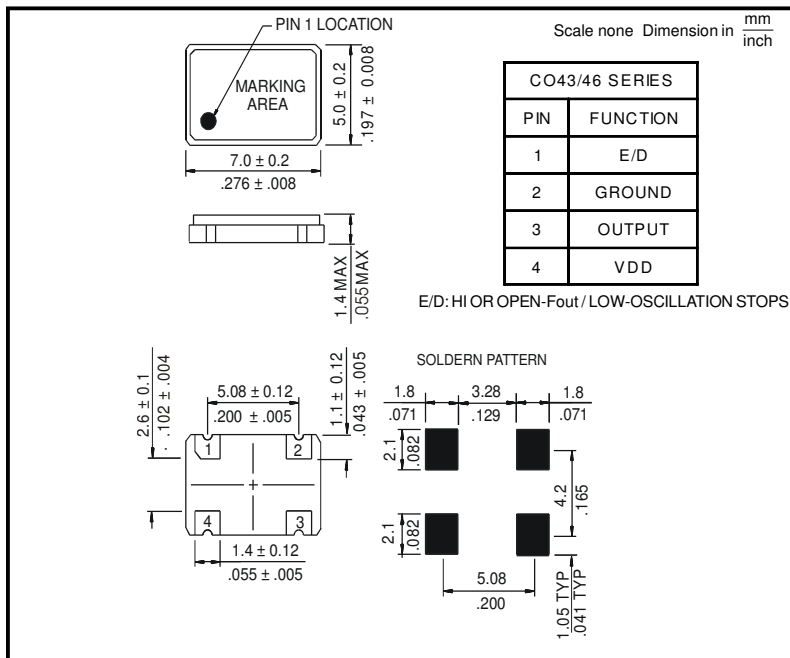
- **FEATURES**
 - ULTRA SMALL PACKAGE
 - EXCELLENT FOR HIGH DENSITY PACKAGING
 - SUITABLE FOR REFLOW SOLDERING
- **SPECIFICATIONS**



SERIES		CO43
PARAMETER		
FREQUENCY RANGE		32.768 kHz
FREQUENCY STABILITY †		±25 PPM
TEMPERATURE RANGE	OPERATING	-10°C TO +70°C
	STORAGE	-55°C TO +125°C
INPUT	VOLTAGE	+3.3 VDC ±10%
	CURRENT, MAX	1 mA MAX
OUTPUT	LOAD	15 pF
	SYMMETRY	NORMAL: 40% TO 60%
	LEVEL	LOGIC "0": 0.4 VDC MAX LOGIC "1": 2.8 VDC MIN
	RISE/FALL TIME (10% to 90%)	200 ns MAX
JITTER		1.0 ps RMS (1σ), 12kHz < Fj < 20MHz
ENABLE/DISABLE FUNCTION		PIN 1: HIGH (+2.2 VDC MIN) PIN 3: ENABLED PIN 1: LOW (+0.8 VDC MAX) PIN 3: DISABLED (HIGH IMPEDANCE)

† INCLUSIVE OF 25°C TOLERANCE, OPERATING TEMPERATURE RANGE, VOLTAGE OR LOAD CHANGES, AGING, SHOCK AND VIBRATION

● OUTLINE DRAWING



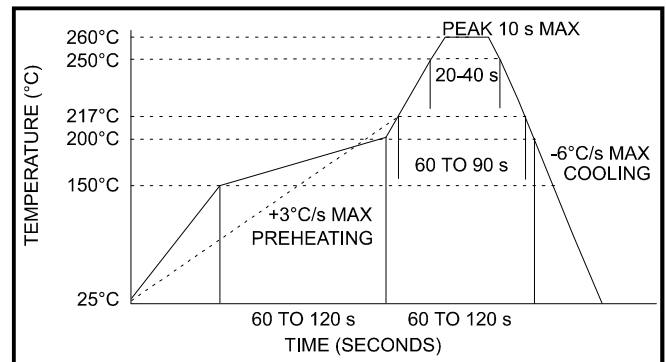
● PACKAGING

254 mm REEL DIAMETER, 16mm TAPE WIDTH, 8mm PITCH
QUANTITY: 1000 PIECES PER REEL

● PART NUMBER

CO43025L-32.768KHZ-TR

● REFLOW SOLDERING PROFILE



● CARRIER TAPE DIMENSIONS

