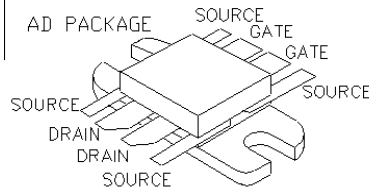




General Description

Silicon VDMOS and LDMOS transistors designed specifically for broadband RF applications. Suitable for Military Radios, Cellular and Paging Amplifier Base Stations, Broadcast FM/AM, MRI, Laser Driver and others.

"Polyfet"TM process features gold metal for greatly extended lifetime. Low output capacitance and high F_t enhance broadband performance



PATENTED GOLD METALIZED SILICON GATE ENHANCEMENT MODE RF POWER VDMOS TRANSISTOR

20 Watts Push - Pull

Package Style AD

HIGH EFFICIENCY, LINEAR, HIGH GAIN, LOW NOISE

ABSOLUTE MAXIMUM RATINGS (TC = 25 °C)

Total Device Dissipation	Junction to Case Thermal Resistance	Maximum Junction Temperature	Storage Temperature	DC Drain Current	Drain to Gate Voltage	Drain to Source Voltage	Gate to Source Voltage
80 Watts	2.1 °C/W	200 °C	-65 °C to 150 °C	4 A	50 V	50V	30V

RF CHARACTERISTICS (20WATTS OUTPUT)

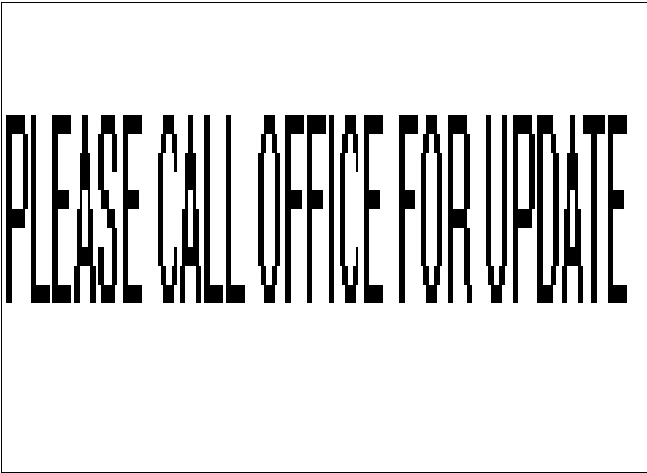
SYMBOL	PARAMETER	MIN	TYP	MAX	UNITS	TEST CONDITIONS
Gps	Common Source Power Gain	10			dB	$I_{dq} = 0.8 A, V_{ds} = 12.5V, F = 200 MHz$
η	Drain Efficiency		60		%	$I_{dq} = 0.8 A, V_{ds} = 12.5V, F = 200 MHz$
VSWR	Load Mismatch Tolerance			20:1	Relative	$I_{dq} = 0.8 A, V_{ds} = 12.5V, F = 200 MHz$

ELECTRICAL CHARACTERISTICS (EACH SIDE)

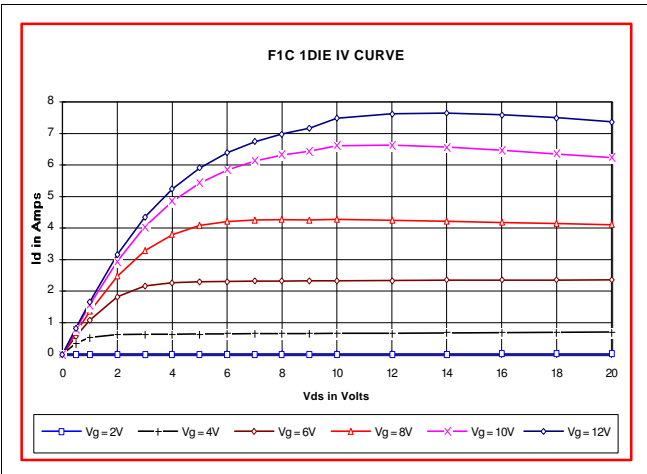
SYMBOL	PARAMETER	MIN	TYP	MAX	UNITS	TEST CONDITIONS
Bvdss	Drain Breakdown Voltage	40			V	$I_{ds} = 0.05 A, V_{gs} = 0V$
I_{dss}	Zero Bias Drain Current			1	mA	$V_{ds} = 12.5 V, V_{gs} = 0V$
I_{gss}	Gate Leakage Current			1	uA	$V_{ds} = 0 V, V_{gs} = 30V$
Vgs	Gate Bias for Drain Current	1		7	V	$I_{ds} = 0.1 A, V_{gs} = V_{ds}$
gM	Forward Transconductance		0.8		Mho	$V_{ds} = 10V, V_{gs} = 5V$
Rdson	Saturation Resistance		0.7		Ohm	$V_{gs} = 20V, I_{ds} = 8A$
I_{dsat}	Saturation Current		7.5		Amp	$V_{gs} = 20V, V_{ds} = 10V$
Ciss	Common Source Input Capacitance		40		pF	$V_{ds} = 12.5 V, V_{gs} = 0V, F = 1 MHz$
Crss	Common Source Feedback Capacitance		6		pF	$V_{ds} = 12.5 V, V_{gs} = 0V, F = 1 MHz$
Coss	Common Source Output Capacitance		30		pF	$V_{ds} = 12.5 V, V_{gs} = 0V, F = 1 MHz$

F1209

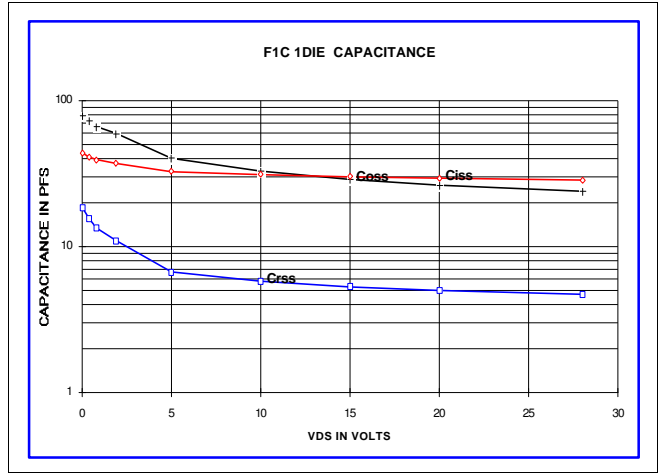
POUT VS PIN GRAPH



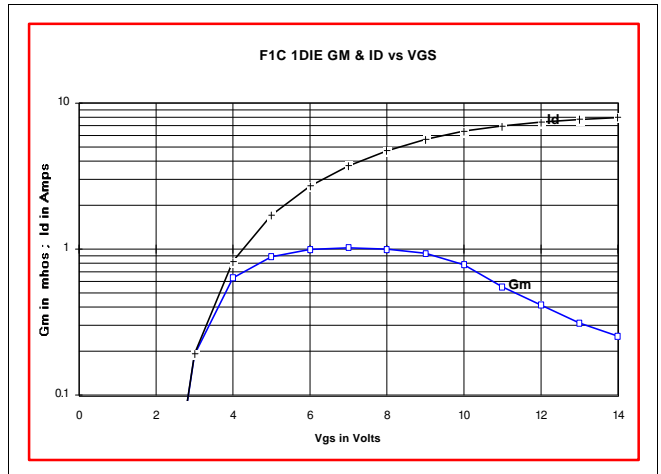
IV CURVE



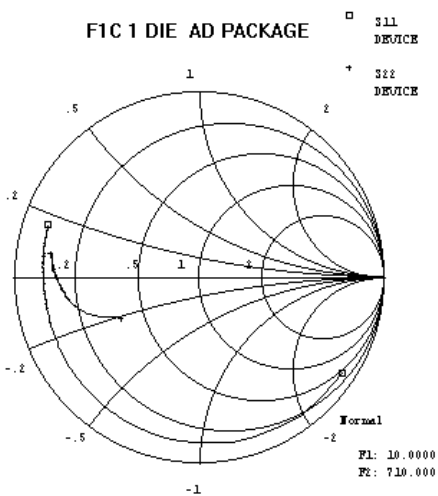
CAPACITANCE VS VOLTAGE



ID AND GM VS VGS



S11 AND S22 SMITH CHART



PACKAGE DIMENSIONS IN INCHES

