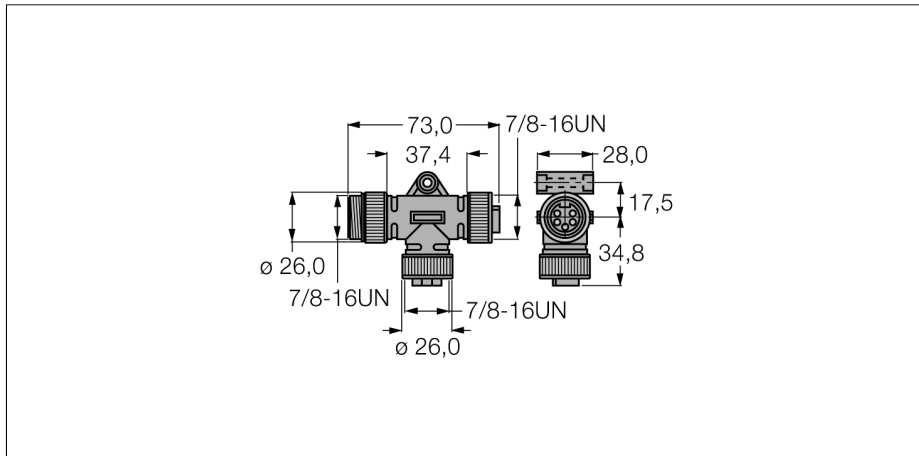
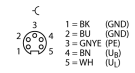
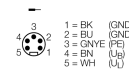


Accessories for fieldbus systems
Simple junction
RSM-2RKM50



- T-piece, 7/8"
- 5-pin
- 1 x male
- 2 x female



| | |
|--|----------------------------|
| Type code | RSM-2RKM50 |
| Ident no. | 6914950 |
| Grip | plastic |
| Grip | plastic |
| Contact carriers | plastic |
| Contacts | metal, CuZn, gold-plated |
| Seal | plastic |
| Protection class | IP67, (screwed together) |
| Mechanical lifespan | > 100 mating cycles |
| Grip | plastic |
| Contact carriers | plastic |
| Contacts | metal, CuZn, gold-plated |
| Protection class | IP67, only when plugged in |
| Mechanical lifespan | > 100 contact durability |
| Rated voltage [U_{max}] | 250 V |
| Forward resistance | ≤ 5 mΩ |
| Insulation resistance | ≥ 10 ⁸ Ω |