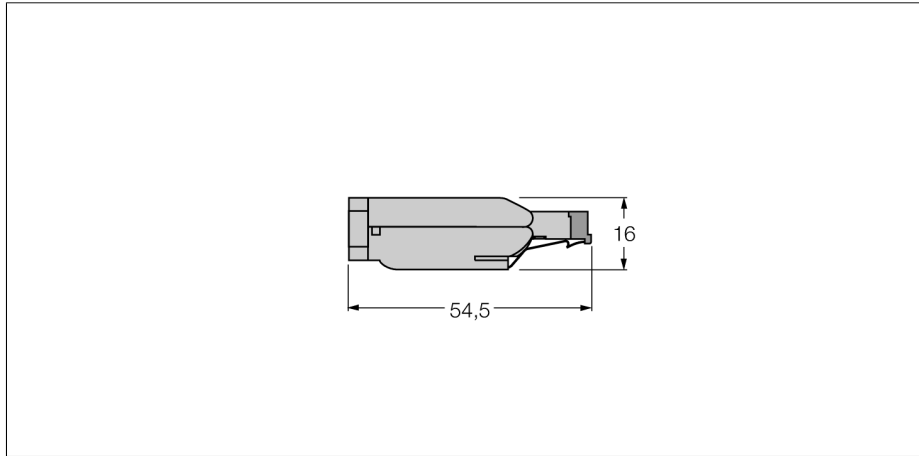


Accessories for fieldbus systems
Field-wireable connector
6GK1901-1BB10-2AA0/FC-RJ45



- RJ45 male
- Field-wireable



- 1 = YE (TX +)
- 2 = OG (TX -)
- 3 = WH (RX +)
- 4 = n.c.
- 5 = n.c.
- 6 = BU (RX -)
- 7 = n.c.
- 8 = n.c.

Type code	6GK1901-1BB10-2AA0/FC-RJ45
Ident no.	6780031
Connector A side	field-wireable male connector, RJ45
Number of pins	8
Protection class	IP20, (screwed together)
External diameter of the cable	min. 6... 8mm
Connection mode	screw/clamp connection
Ambient temperature Connector	-20... +70°C