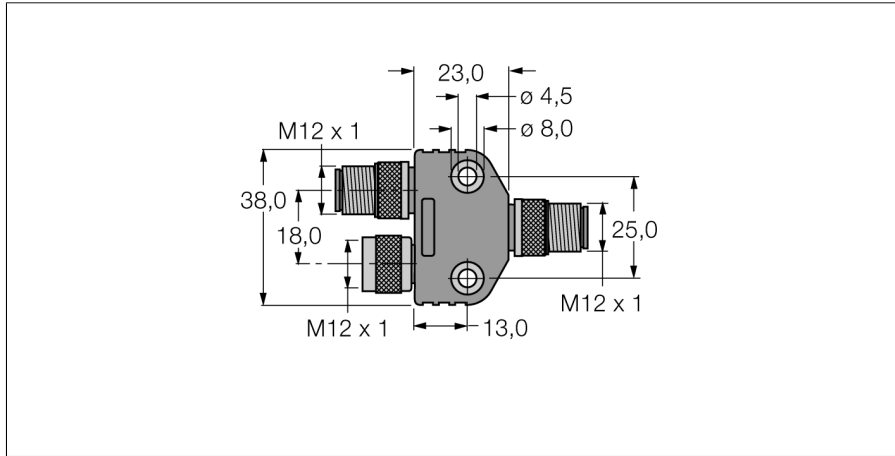
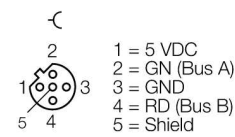
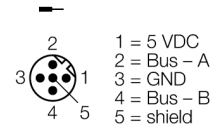


Accessories for fieldbus systems
PROFIBUS Y junction, fully shielded, 12 Mbps
VB2-FSW-FKW-FSW-45



- M12 adapter
- Y piece, 5-pole, reverse-keyed
- For use in PROFIBUS-DP applications

Pin configuration



Type	VB2-FSW-FKW-FSW-45
Ident-No.	6996009
Grip	plastic
Grip	plastic
Contact carriers	plastic
Contacts	metal, CuZn, gold-plated
Seal	plastic
Degree of protection	IP67, only tightened with screws
Mechanical lifespan	min. 100 contact durability
Grip	plastic
Contact carriers	plastic
Contacts	metal, CuZn, gold-plated
Degree of protection	IP67, only when plugged in
Mechanical lifespan	min. 100 contact durability
Rated voltage	max. 250 V
Forward resistance	≤ 5 mΩ
Insulation resistance	≥ 10 ⁸ Ω